

# 88 5020 31

## Monarch Dining Table

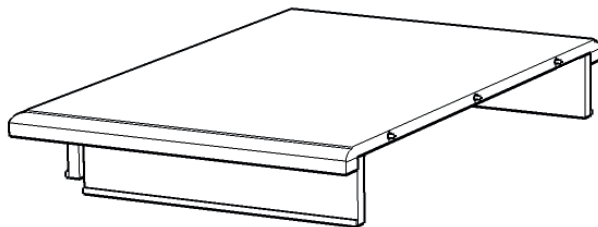
### IMPORTANT NOTE

Carefully remove all the parts from the carton and put them individually on a soft cloth to prevent scratches or other damages occurring to the parts.

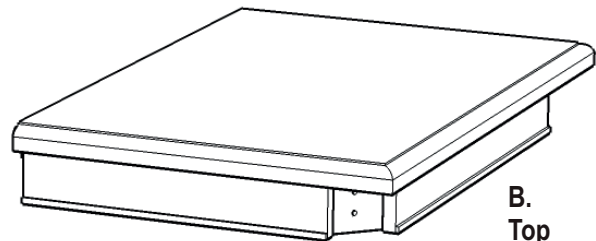
We have taken great care in the design of this product and request that you carefully and strictly follow our assembly instructions to ensure a completed product as it was designed.



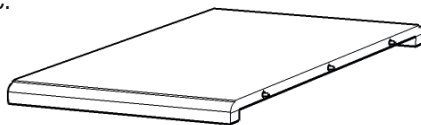
## Part List



**A.**  
Top  
1 pc.



**B.**  
Top  
1 pc.



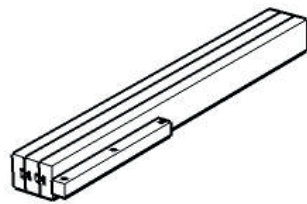
**C.**  
Leaf  
1 pc.



**D.**  
Apron  
2 pcs.



**E.**  
Leg  
4 pcs.



**F.**  
Table Slide  
2 pcs.

## Hardware List



**Hex Wrench**  
1 pc.



**Key Wrench**  
1 pc.



**Spring Washer**  
8 pcs. (+1 extra)



**Spring Washer (Small)**  
12 pcs. (+1 extra)



**Wood Screw (short)**  
6 pcs. (+1 extra)



**Wood Screw**  
16 pcs. (+1 extra)



**Small Hex Wrench**  
1 pc.



**Bolt**  
8 pcs. (+1 extra)



**Flat Washer**  
8 pcs. (+1 extra)



**Flat Washer (Small)**  
12 pcs. (+1 extra)



**Head Cap Bolt**  
12 pcs. (+1 extra)

Tools required for assembly : Phillips screwdriver

**Home Styles Consumer Assistance Line 888-680-7460 and 877-831-0319**  
**[servicedesk@homestyles-furniture.com](mailto:servicedesk@homestyles-furniture.com)**

# Assembly Instructions 2/3

## IMPORTANT

\* Do not tighten up all the screws until each part is properly assembled.

\* You should keep Hex Wrench, Key Wrench in a safe place as you may need to tighten up the Bolts in the future.

## STEP 1

Place Top (A) and (B) face side down on a soft cloth.

Remove Table Slides (F) from their packing position by loosening and removing Head Cap Bolts, Spring Washers(Small) and Flat Washers(Small) using Hex Wrench.(see Figure 1)

**Note:** These 4 Head Cap Bolts, Spring Washers(Small) and Flat Washers(Small) will be used in Step 2.

**DO NOT DISCARD**

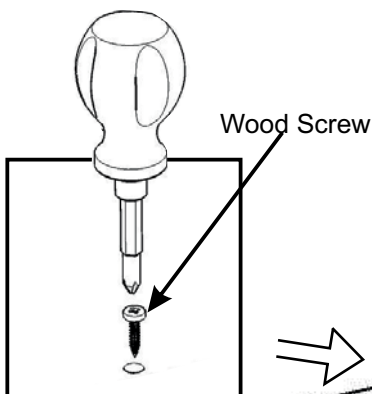


Figure 3

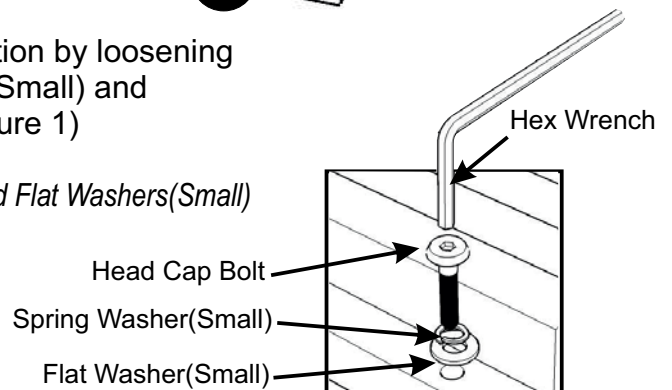
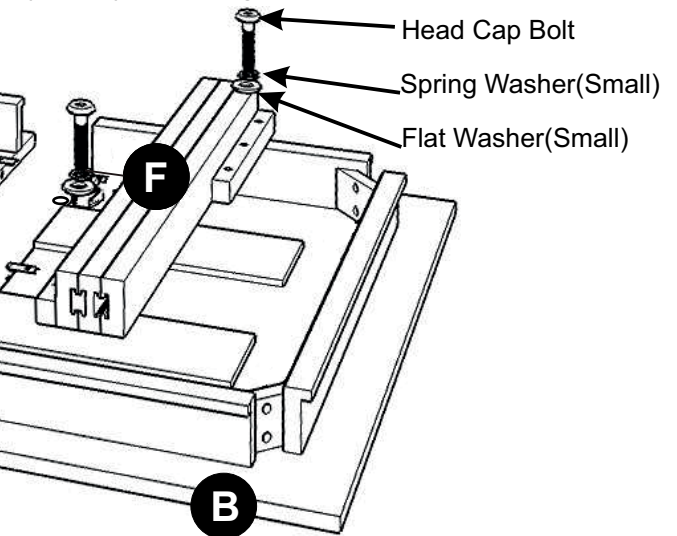


Figure 1

## STEP 2

Attach Top (A) with (B), by aligning dowels with the holes and firmly pushing together.

Engage the locks by turning their handles clockwise  $\frac{1}{4}$  turn (see Figure 2).

Attach Table Slides (F) to the unit using Head Cap Bolts, Spring Washers(Small) and Flat Washers(Small). Tighten Wood Screws (see Figure 3).

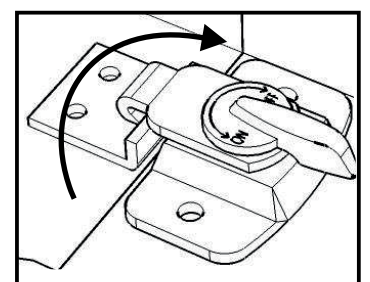
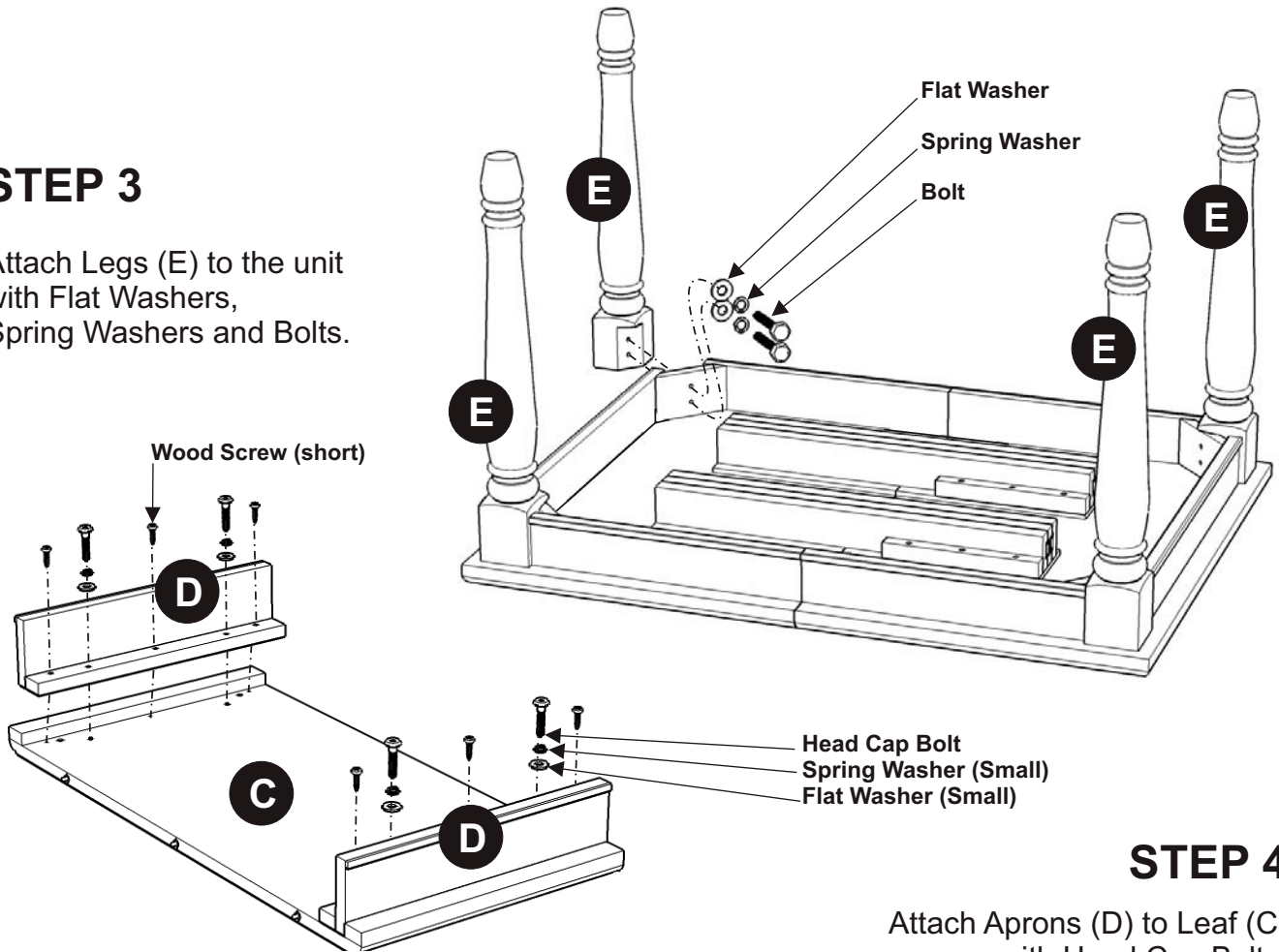


Figure 2

## STEP 3

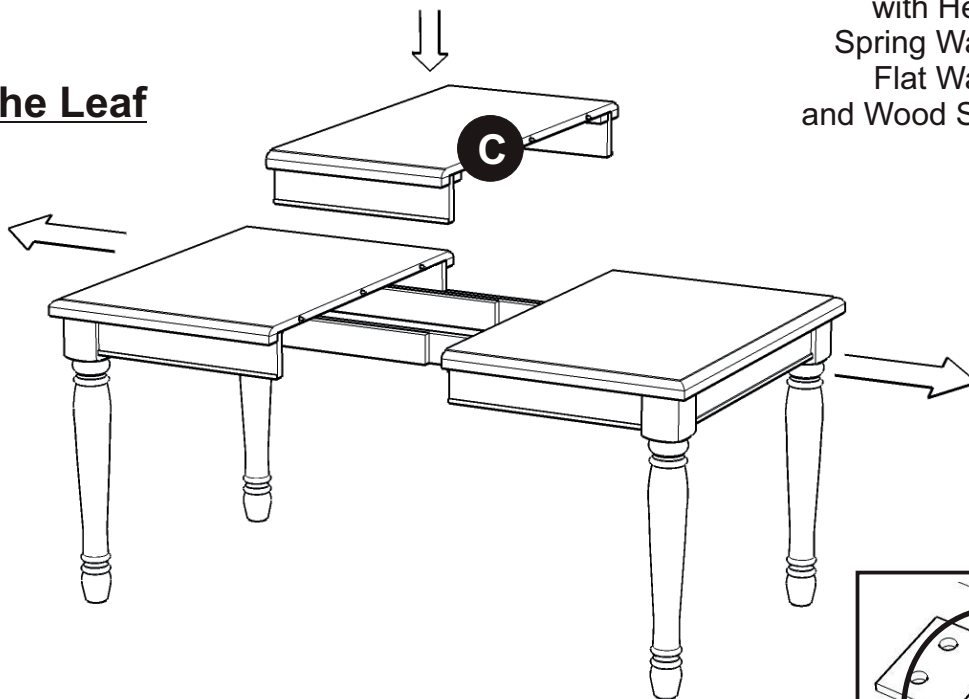
Attach Legs (E) to the unit with Flat Washers, Spring Washers and Bolts.



## STEP 4

Attach Aprons (D) to Leaf (C) with Head Cap Bolts, Spring Washers (Small), Flat Washers (Small) and Wood Screws (short).

## Adding the Leaf

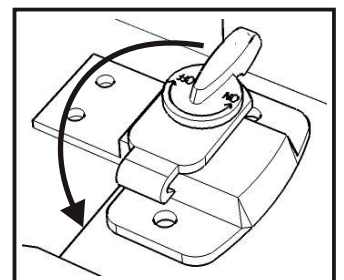


## STEP 5

Disengage the locks by turning their handles counter-clockwise  $\frac{1}{4}$  turn (see Figure 3).

Pull out both sides of the table, then place Leaf (C) in the unit as shown, aligning the dowels with the holes.

Push the table together firmly, then engage the locks by turning their handles clockwise  $\frac{1}{4}$  turn (see Figure 2).



(Figure 3)