




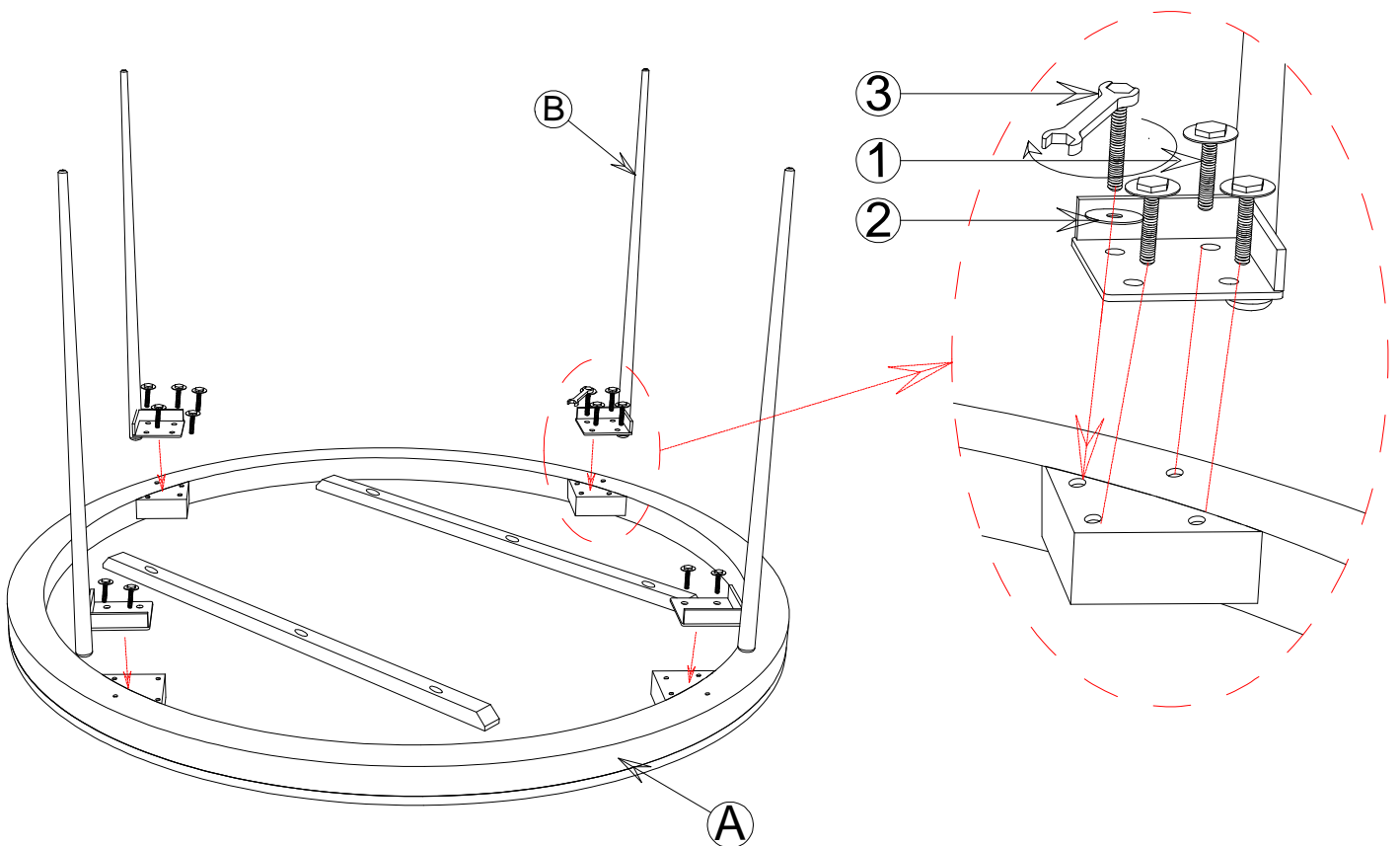
HEKMAN®

A HOWARD MILLER COMPANY

ASSEMBLY INSTRUCTION FOR 23721 ROUND DINING TABLE

HARDWARE LIST

NO.	ITEM	DESCRIPTIN	QTY.
1		Bolt M6X25 MM	16
2		Flat washer M6X18 MM	16
3		Wrench	1



TO ASSEMBLY :

- STEP 1 : Unpack round dining table and turn the top (A) upside down .
- STEP 2 : Align holes in legs (B) with holes on bottom of top (A) and slide it into position.
- STEP 3 : Thread the flat washer(2) , bolt (1) to leg (B) . Do not tighten bolts fully.
- STEP 4 : Tighten bolts in step 3 fully with wrench (3) then carefully turn the round dining table upright.