

## ⚠ WARNING



Children have died from furniture tipover. To reduce the risk of furniture tipover:

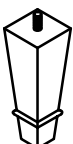
- ALWAYS install tipover restraint provided.
- NEVER put a TV on this product or hang on drawers, doors, or shelves.
- NEVER allow children to stand, climb or hang on more than one drawer at a time.
- NEVER open more than one lowest drawers.

*This is a permanent label. Do not remove!*



(A)

- x1 Armoire
- x1 Commode
- x1 Tocador



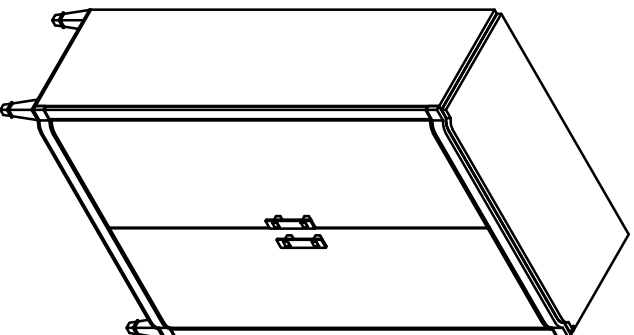
(B)

- x4 Leg \*
- x4 Jambes
- x4 Piernas



(C)

- x1 Furniture Tipping Restraint \*
- x1 Systeme antibasculement
- x1 Control para evitar vultcos



\* Replaceable Part

## **A WARNING**

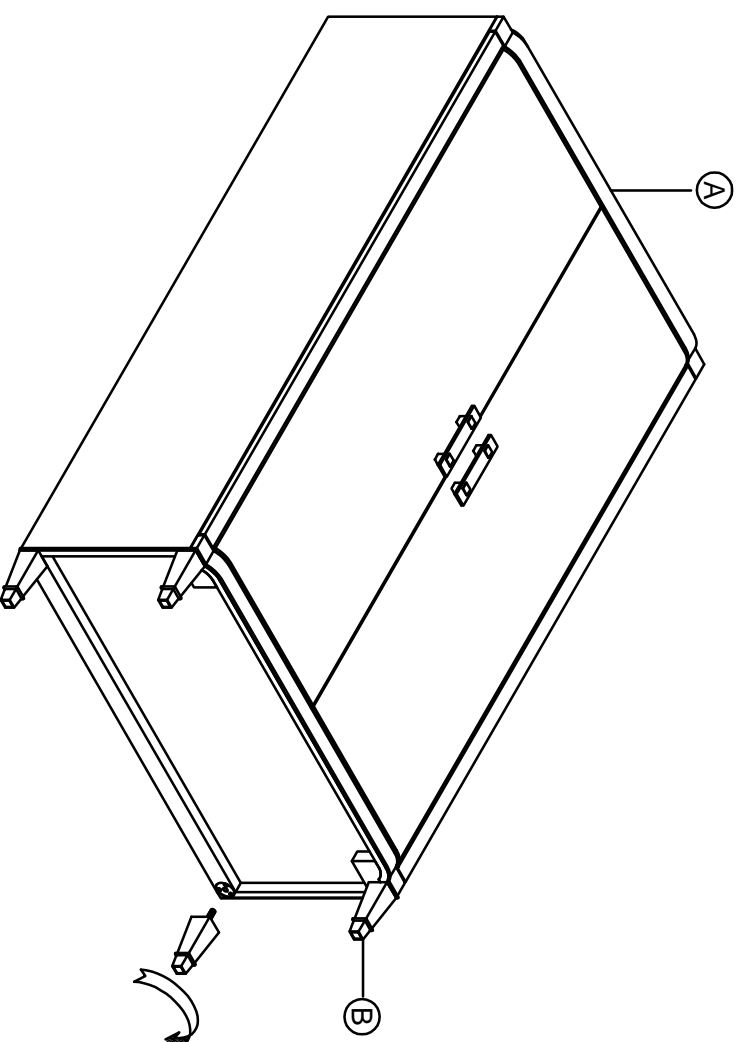


Children have died from furniture tipover. To reduce the risk of furniture tipover:

- ALWAYS install tipover restraint provided.
- NEVER put a TV on this product.
- NEVER allow children to stand, climb or hang on drawers, doors, or shelves.
- NEVER open more than one drawer at a time.
- Place heaviest items in the lowest drawers.

*This is a permanent label. Do not remove!*

1



\* Replaceable Part

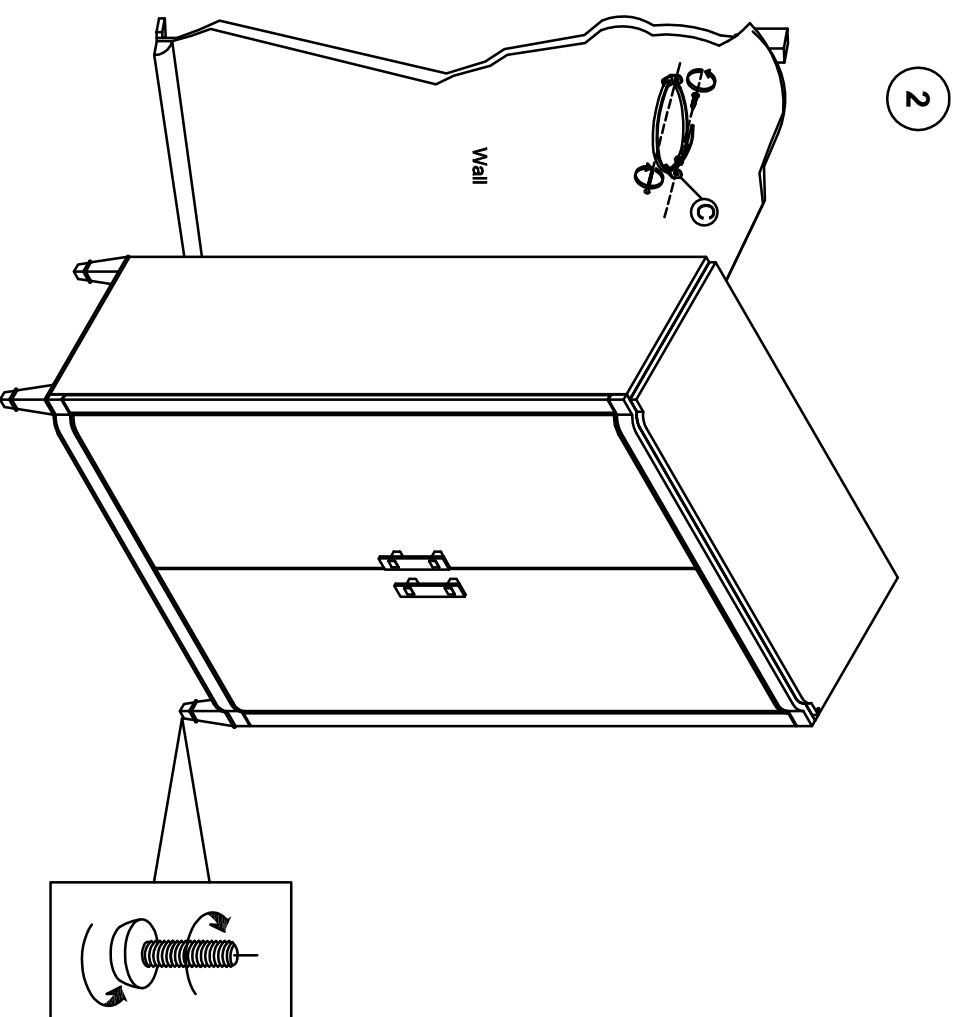
## ▲ WARNING



Children have died from furniture tipover. To reduce the risk of furniture tipover:

- ALWAYS install tipover restraint provided.
- NEVER put a TV on this product.
- NEVER allow children to stand, climb or hang on drawers, doors, or shelves.
- NEVER open more than one drawer at a time.
- Place heaviest items in the lowest drawers.

*This is a permanent label. Do not remove!*



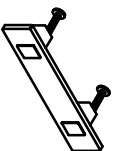
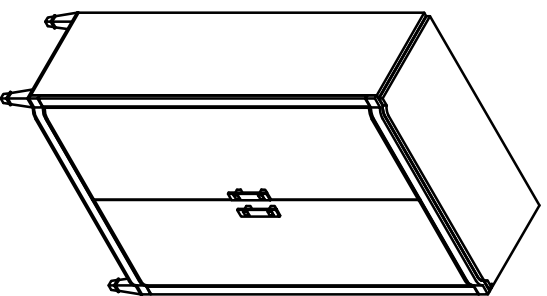
\* Replaceable Part

## ⚠ WARNING

Children have died from furniture tipover. To reduce the risk of furniture tipover:



- ALWAYS install tipover restraint provided.
  - NEVER put a TV on this product.
  - NEVER allow children to stand, climb or hang on drawers, doors, or shelves.
  - NEVER open more than one drawer at a time.
  - Place heaviest items in the lowest drawers.
- This is a permanent label. Do not remove!**



x2 RP344-PULL - Pull with Screw \*  
 Poignée et vis  
 Tirador y Tornillo



x5 RP344-KNOB - Knob with Screw \*  
 Poignée et vis  
 Tirador y Tornillo



x5 COMGLIDE-1445 - Common Glide 14in - 45mm \*  
 Glissière  
 Carril de deslizamiento



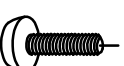
x4 RP344100-LEG - Leg \*  
 Jambes  
 Piernas



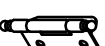
x1 RC-ANTI-TIP - Furniture Tipping Restraint \*  
 Systeme antibasculement  
 Control para evitar vuelcos



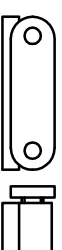
x4 RP344120-SUPP - Shelf Support \*  
 Supports Pour Tablette  
 Soporte De Las Repisas



x4 RC-FG-WHITE - White leveler \*  
 Patin réglable  
 Nivelador



x6 RP344120-HINGE - Door Hinge \*  
 Charnière de porte  
 Bisagra de la puerta



x2 RP344120-CATCH - Door Catch \*  
 Catch de aimant  
 Capbura de imán



x1 RP344120-LIGHT - Light \*  
 Luminaire  
 Lámpara

\* Replaceable Part

## Protect Your Wood or Laminate Flooring

\*This statement applies to any floor without carpet.

If not careful, all furniture including upholstery and case pieces can scratch, scuff and even gouge floors. The recommendation is to have felt, rubber pads or area rugs under furniture on flooring without carpet.

### **Moving your furniture**

Pushing and dragging furniture over floors without carpet can lead to scratches and scuffs. Have someone help when moving the larger pieces of furniture by lifting, try using a dolly or moving pads.

### **Felt and rubber pads**

Applying furniture pads to the feet of furniture helps cushion contact points. Furniture pads can be found at local hardware stores. Felt pads slide easily across the floor, making them ideal for dining chairs and other pieces that move with use. Rubber pads will help furniture stay in place and are perfect for larger pieces, like sofas and loveseats.

### **Area rugs and rug pads**

Using an area rug under furniture is another way to protect your floor from scratches and scuff marks. A rug pad under the area rug will provide extra cushion and added protection.