



# Assembly & Installation Instructions

**CAUTION:** Read instructions carefully and turn electricity off at main circuit breaker panel before beginning installation.

## 5721, 5722, 5723

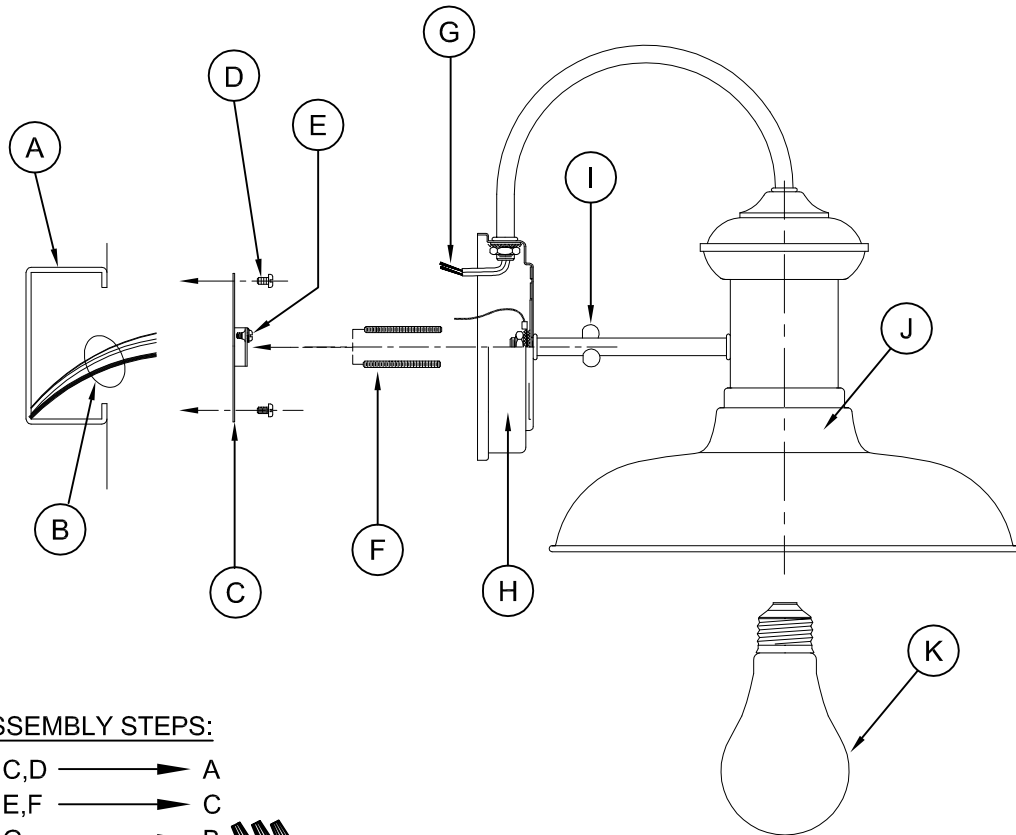
\*\*\*\*\*

**WARNING** - To comply with the National Electric Code and Underwriters Laboratories requirements, the edge of the wall plate coming in contact with the mounting surface must be sealed with a latex waterproof caulking to prevent water from entering the outlet box.

**WARNING** - If any Special Control Devices are used with this Fixture, Follow the Instructions Carefully to assure full compliance with N.E.C. requirements. If there are any questions, contact a Qualified Electrical Contractor.

**CAUTION** - All glass is fragile, use care when handling Glass Shade and lamps.

\*\*\*\*\*



A, B, D & K  
(NOT FURNISHED)  
(NO INCLUIDA)  
(NON FOURNIE)

### ASSEMBLY STEPS:

1. C, D → A
2. E, F → C
3. G → B
4. H → F
5. I → F
6. K → J

