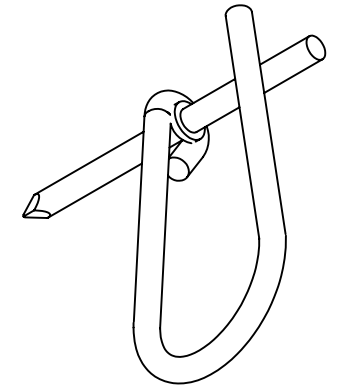
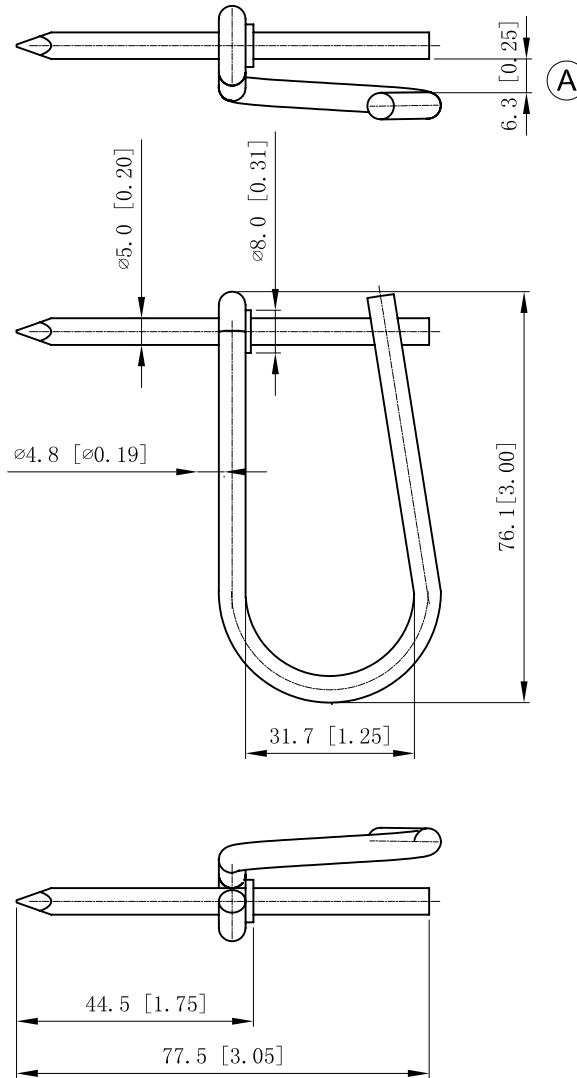
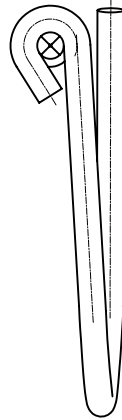


SIDES	BOTTOM
U Clip-Material:Steel- \varnothing 0.19-(C1008-C1018), Mechanical galvanize	
Nail-Material:Steel- \varnothing 0.18-(C1008-C1022), Mechanical galvanize	



This data sheet is for reference only .GARVIN INDUSTRIES reserves the right to make changes to the design without prior notice.

DESCRIPTION
TRADE REFERENCE TERMS

STANDARD PACKING	<h1 style="text-align: center;">GARVIN INDUSTRIES</h1>		
25 PCS			
	SIZE	DWG NO.	REV
	A4	DRV-1-1/4	D
	DATA SHEET		