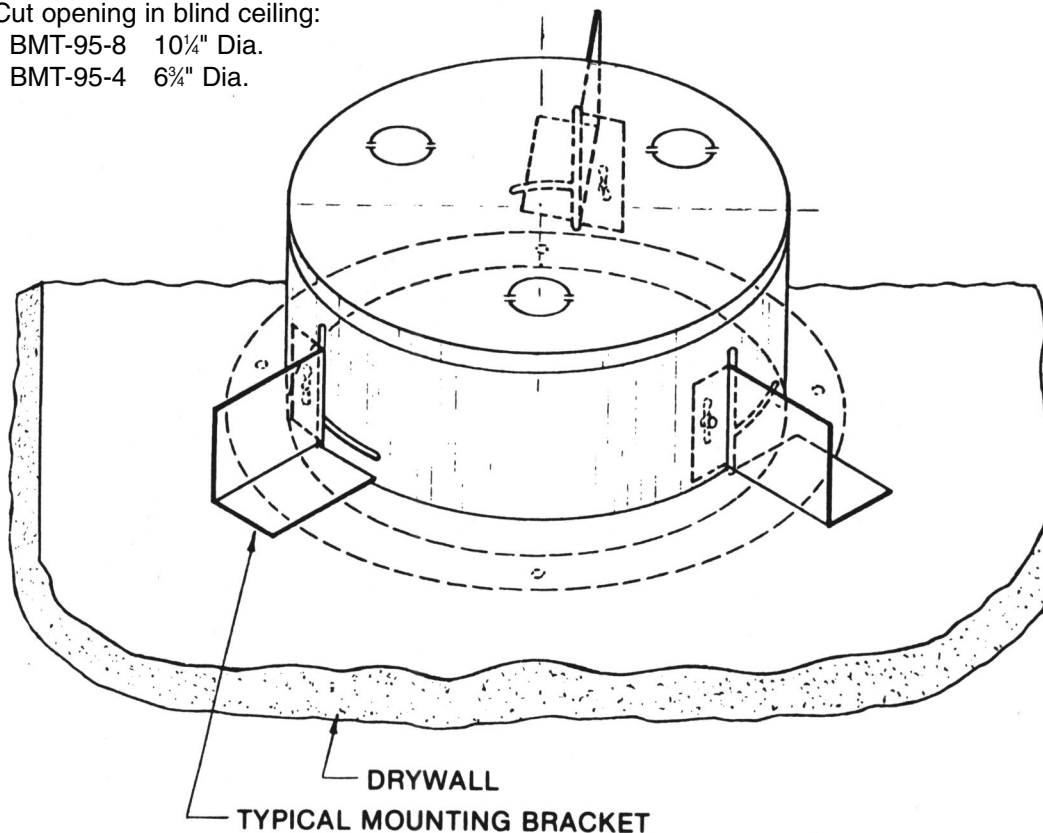




1. Cut opening in blind ceiling:  
 BMT-95-8 10 1/4" Dia.  
 BMT-95-4 6 3/4" Dia.



2. Position enclosure in opening.
3. Insert mounting tab in 'T' slot as shown in Fig.1.
4. Pull mounting tab securely against backside of ceiling. Install wing nut and tighten securely.
5. Repeat steps 3 & 4 for remaining tabs.

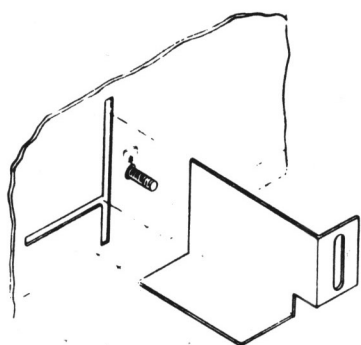


FIG. 1

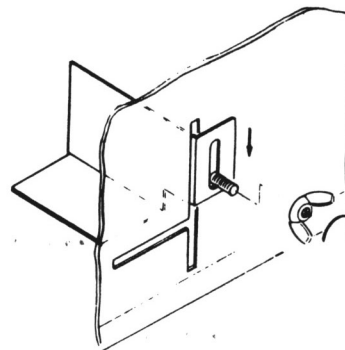


FIG. 2

Specifications are subject to change without notice

[www.AtlasSound.com](http://www.AtlasSound.com)



1601 JACK MCKAY BOULEVARD ENNIS, TEXAS U.S.A. • TELEPHONE: (800) 876-3332 • FAX: (800) 765-3435

© 2001 ATLAS SOUND LP

Printed in U.S.A.

00801

ATS000705 RevB 8/01

PN 202953