

MEADOW DRESSER MIRROR

ASSEMBLY INSTRUCTIONS

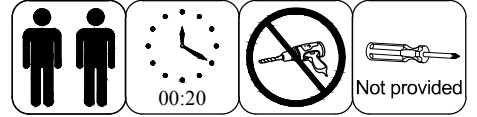
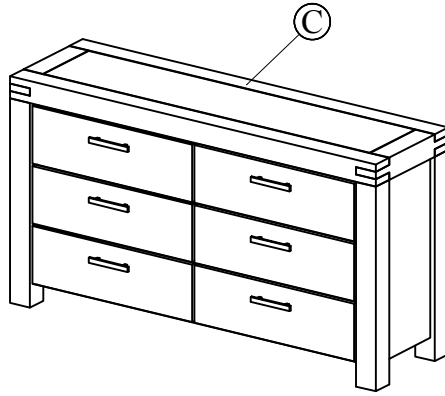
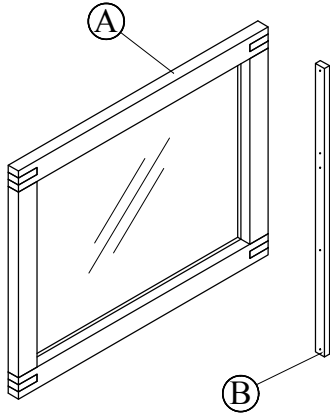


BOX #1
 A. DRESSER MIRROR 1 PC
 B. MIRROR SUPPORT 2 PCS
 * MIRROR HARDWARE PACK

BOX #2
 C. DRESSER 1PC
 (SOLD SEPARATELY)

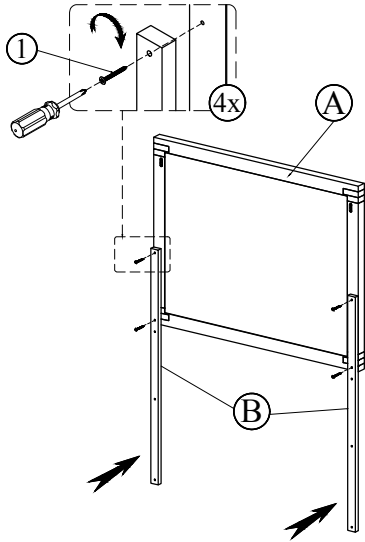
HARDWARE KIT PACKED IN BOX #1

NO.	DESCRIPTION	IMAGE	QUANTITY
1	WOOD SCREW (4x35mm)		10 PCS

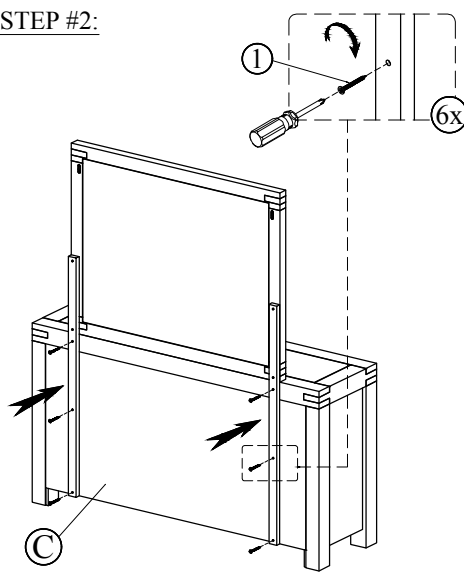


OPTION 1: DRESSER MOUNTING

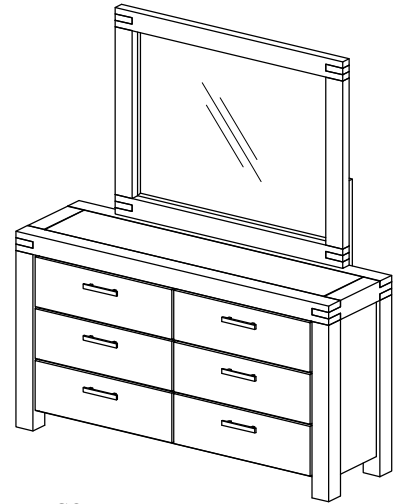
STEP #1:



STEP #2:



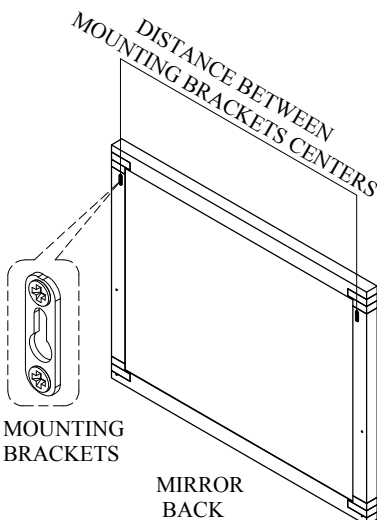
STEP #3:



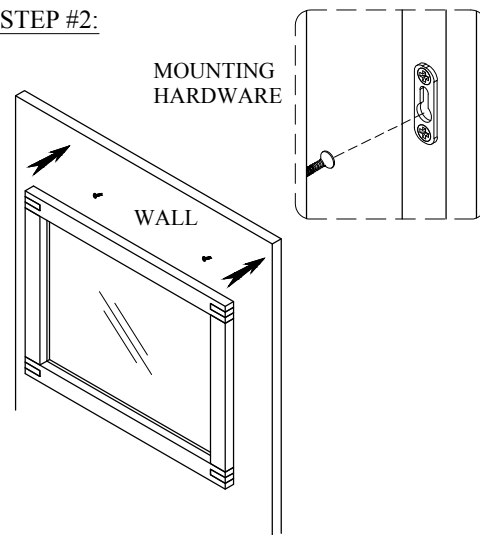
ASSEMBLY COMPLETE

OPTION 2: WALL MOUNTING

STEP #1:

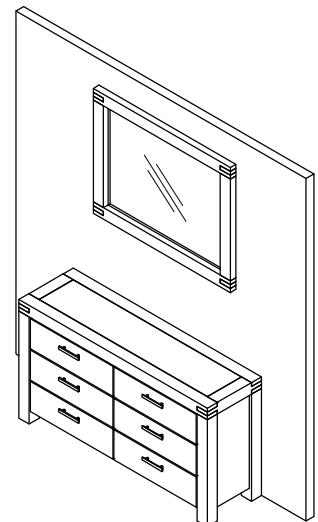


STEP #2:



* WALL MOUNTING HARDWARE NOT INCLUDED

STEP #3:



ASSEMBLY COMPLETE