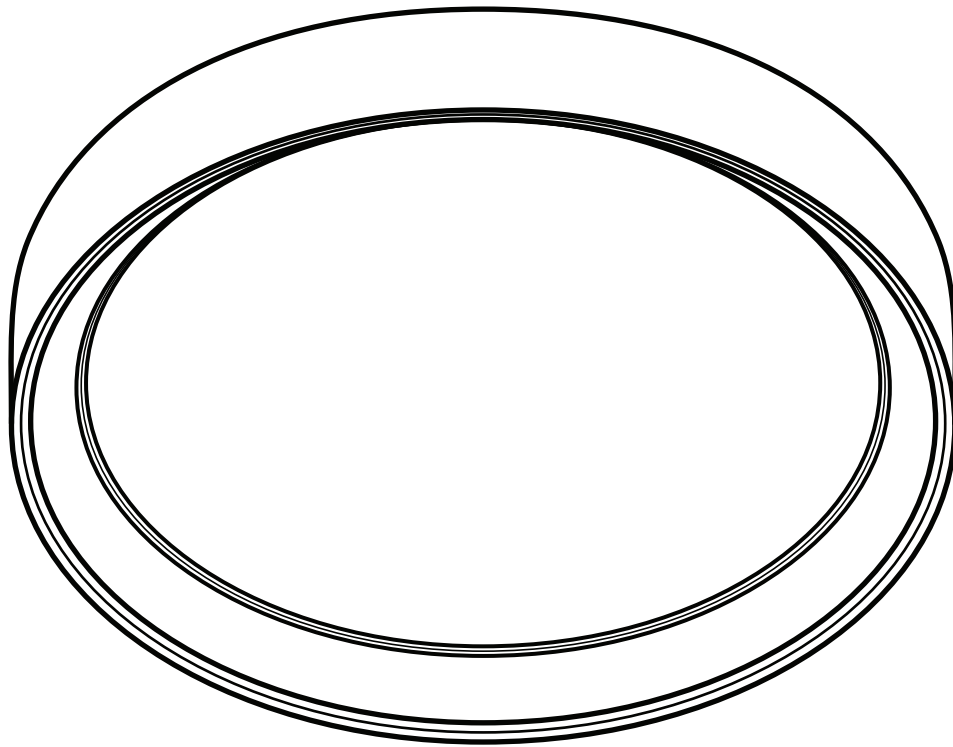


15 INCH ROUND LED SKYLIGHT FLUSH MOUNT WITH SELECTABLE COLOR TEMPERATURES

IMPORTANT SAFETY INSTRUCTIONS AND INSTALLATION GUIDE



READ BEFORE INSTALLATION
SAVE THESE INSTRUCTIONS



Table of Contents

Safety Information	2
FCC Statement	2
Warranty	2
Pre-Assembly	3
Installation	4-5
Operating the Fixture	6
Changing the Color Settings	6

Safety Information

For your safety, always remember to:

- Turn off the power supply at the fuse or circuit breaker box before you install the fixture.
- Ground the fixture to avoid potential electric shock and to ensure reliable starting.
- Double-check all connections to be sure they are tight and correct.
- Wear rubber soled shoes and work on a sturdy wooden ladder.
- Account for small parts and discard packing material, as these may be hazardous to children.

This fixture is designed for use in a circuit protected by a fuse or circuit breaker. It is also designed to be installed in accordance with local electrical codes. If you are unsure about your wiring, check your local electrical code or consult a qualified electrician.

MIN 75°C SUPPLY CONDUCTORS

SUITABLE FOR OPERATION IN AMBIENT NOT EXCEEDING 45°C

FCC STATEMENT

Supplier's Declaration of Conformity:
47 CFR § 2.1077 Compliance Information
Responsible Party: Feit Electric Company
4901 Gregg Road, Pico Rivera, CA 90660, USA
www.feit.com
Unique Identifier: FM15/SKY/5CCT/WH

This device complies with part 15 of the FCC Rules. Operation is subject to the following two conditions: (1) This device may not cause harmful interference, and (2) this device must accept any interference received, including interference that may cause undesired operation. Note: This equipment has been tested and found to comply with the limits for a Class B digital device, pursuant to part 15 of the FCC Rules. These limits are designed to provide reasonable protection against harmful interference in a residential installation. This equipment generates, uses and can radiate radio frequency energy and, if not installed and used in accordance with the instructions, may cause harmful interference to radio communications. However, there is no guarantee that interference will not occur in a particular installation. If this equipment does cause harmful interference to radio or television reception, which can be determined by turning the equipment off and on, the user is encouraged to try to correct the interference by one or more of the following measures: Reorient or relocate the receiving antenna. Increase the separation between the equipment and receiver. Connect the equipment into an outlet on a circuit different from that to which the receiver is connected. Consult the dealer or an experienced radio/TV technician for help. Any changes or modifications not expressly approved by the manufacturer could void the user's authority to operate the equipment.

Limited Warranty

This product is warranted to be free from defects in workmanship and materials for up to 3 years from date of purchase. If the product fails within the warranty period, please contact Feit Electric at info@feit.com, visit feit.com/contact-us for instructions on replacement or refund. REPLACEMENT OR REFUND IS YOUR SOLE REMEDY. EXCEPT TO THE EXTENT PROHIBITED BY APPLICABLE LAW, ANY IMPLIED WARRANTIES ARE LIMITED IN DURATION TO THE DURATION OF THIS WARRANTY. LIABILITY FOR INCIDENTAL OR CONSEQUENTIAL DAMAGES IS HEREBY EXPRESSLY EXCLUDED. Some states and provinces do not allow the exclusion of incidental or consequential damages, so the above limitation or exclusion may not apply to you. This warranty gives you specific legal rights, and you may also have other rights which vary from state to state or province to province.

Product Specifications

- 120VAC, 32W, 60Hz
- Wall Dimmable
- Suitable for Damp Locations
- Intended to be mounted on the ceiling or wall surface



CAUTION: Turn off the main power at the circuit breaker before installing the fixture, in order to prevent possible shock.



CAUTION: Consult a certified electrician to ensure correct branch circuit conductor.



WARNING: RISK OF SHOCK. House electric current can cause painful shock or serious injury unless handled properly.



CAUTION: RISK OF FIRE. Before installing your lighting fixture, thoroughly review this installation manual. If you do not have sufficient electrical wiring experience have your fixture installed by a certified electrician. All electrical connections must be in accordance with Local and National Electrical Code (NEC) Standards. Reliable operating temperature is -13°F to 113°F / -25°C to 45°C. Suitable for Damp Locations. For more information including dimmer compatibility visit www.feit.com.

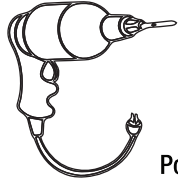
NOTICE: All electrical connections must be in accordance with local and National Electrical Code (N.E.C.) standards. If you are unfamiliar with proper electrical wiring connections obtain the services of a certified electrician.

Remove the fixture and the mounting package from the box and make sure that no parts are missing by referencing the illustrations on the installation instructions.

TOOLS REQUIRED (NOT INCLUDED)



Phillips
Screwdriver



Power drill

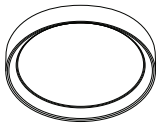


1/2 in. Drill Bit

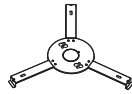
HARDWARE INCLUDED



NOTE: Hardware not shown to actual size.



AA



BB



CC



DD



EE



FF

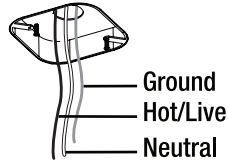
Part	Description	Quantity
AA	Fixture	1
BB	Mounting Bracket	1
CC	Mounting Bracket Screws #8-32 x 1 in.	2
DD	3/16 in. Toggle Bolts	3
EE	Wire Nuts	3
FF	Safety Cable	1

1 Turning Off the Power

- Turn the power OFF at the switch and fusebox or the circuit breaker.

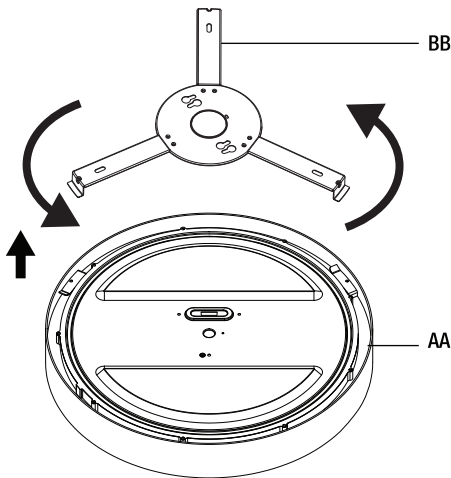
2 Identifying the Wires

- Black - Hot/Live
- White - Neutral
- Green or Bare Copper - Ground



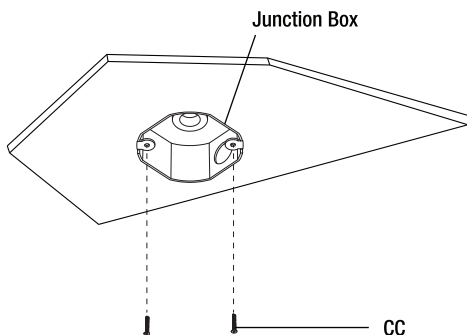
3 Removing the Mounting Bracket from the Fixture

- Remove the mounting bracket (BB) from the fixture (AA) by turning the mounting bracket counter-clockwise and gently raise the mounting plate.



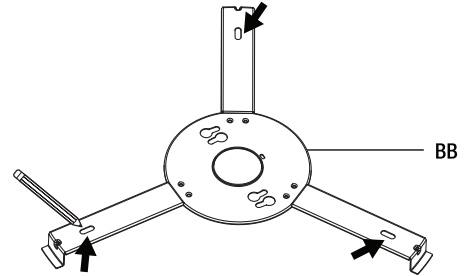
4 Secure the Mounting Screws

- Insert the junction box mounting screws (CC) into the junction box as shown.



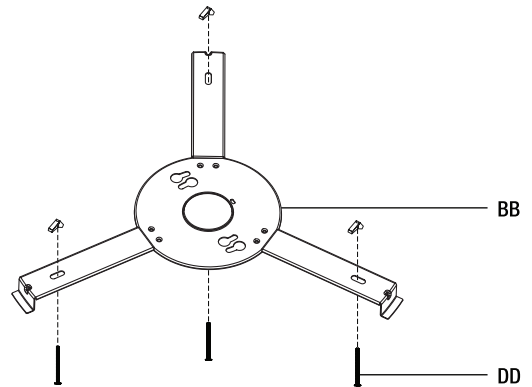
5 Positioning the Toggle Bolts

- Using the mounting bracket (BB) as a guide, mark the position of the holes on the ceiling or wall where the toggle bolts (DD) will be placed.



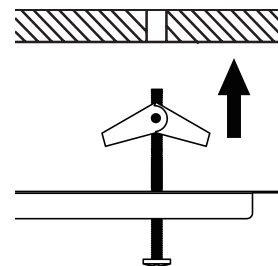
6 Installing the Toggle Bolts

- Remove the mounting bracket (BB) from the junction box.
- Drill three holes where marked using a 1/2 in. drill bit.
- Insert a toggle bolt (DD) through the front of the mounting bracket (BB) and re-attach the wing to the toggle bolt (DD). Repeat for all three toggle bolts.



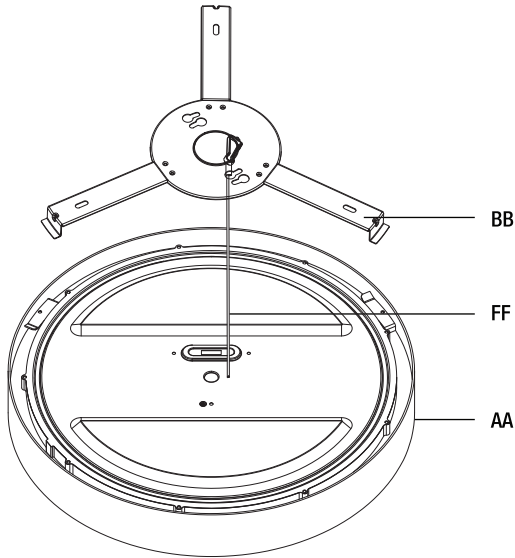
7 Re-attaching the Mounting Plate

- Feed the junction box wires through the center of the mounting bracket (BB) hole. Re-attach the mounting plate (BB) by inserting the three toggle bolts (DD) into the drilled holes. Once the toggle bolts (DD) are through and expanded, pull the toggle bolt (DD) downward to engage and tighten.



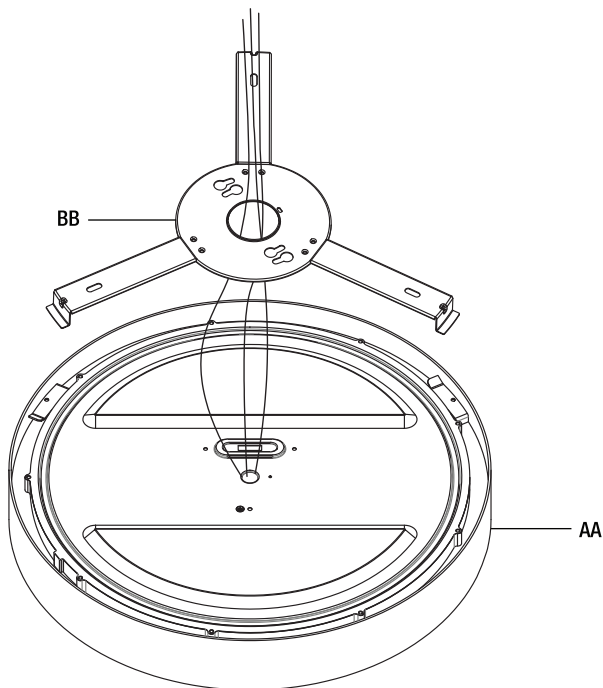
8 Connecting the Safety Cable

- Secure the safety cable (FF) from the fixture (AA) to the mounting bracket (BB).



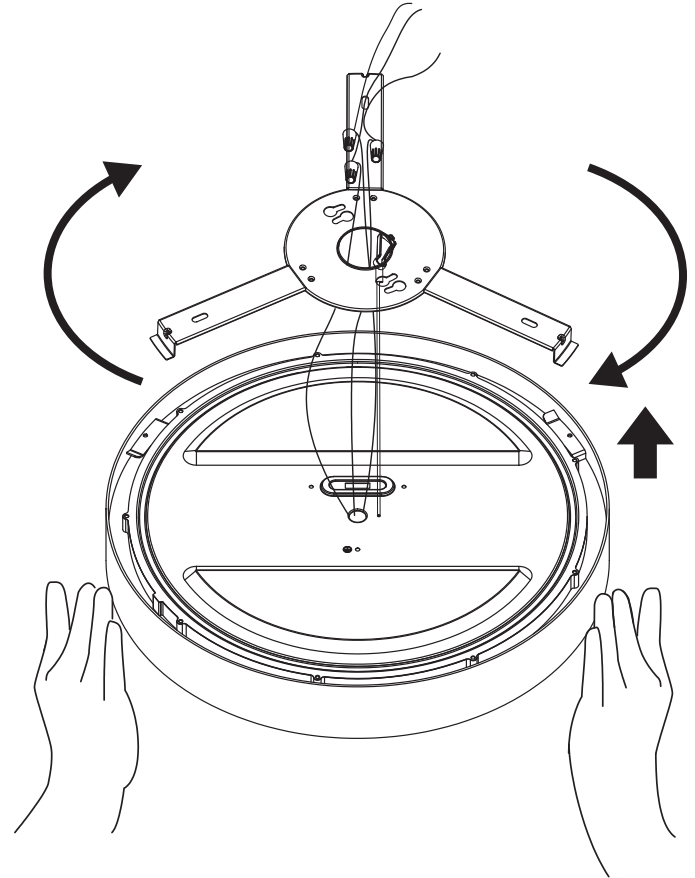
9 Connecting the Wires

- Use the wire nuts (EE) to connect the wires. Black wire to Hot/Live. White wire to neutral. Green or bare copper wire to ground.



10 Installing the Fixture

- Position the fixture (AA) over the junction box aligning the mounting bracket (BB) with the back of the fixture. Secure the fixture in place by twisting it in a clockwise motion while standing on the floor and looking up at the fixture to ensure proper alignment.



11 Turning On the Power

- Turn on the fusebox or circuit breaker and the power at the wall switch.

Operating the Fixture

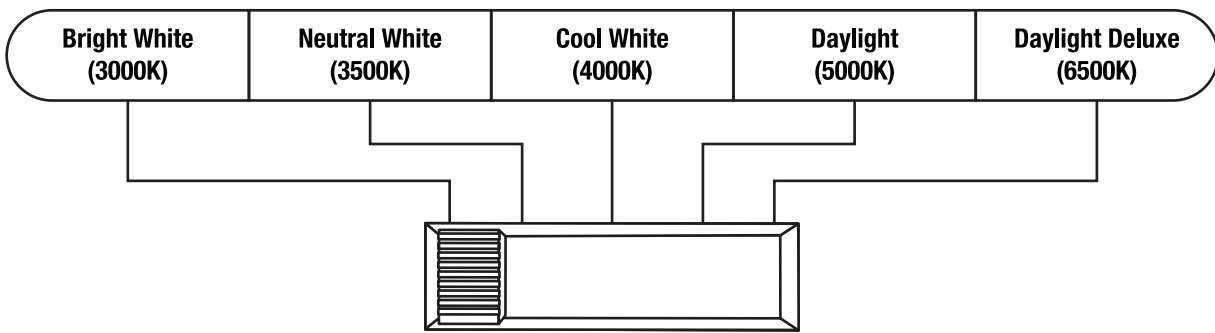
- Flip the wall switch ON after Installation to enter Mode 1: Skylight.
- Flip the wall switch OFF and back ON in less than 3 seconds to enter the Mode 2: White light.
 - The color temperature of the white light in Mode 2 can be selected with the switch on the back of fixture. This will affect the color temperature of the white light only in Mode 2. See "Changing the Color Settings" section.
- Flip the wall switch OFF and back ON again in less than 3 seconds to enter Mode 3: Blue light.



NOTE: If the unit is turned off for more than 10 seconds, the mode will automatically revert to the default mode of Mode 1 (Skylight).

Changing the Color Settings

- Must be in Mode 2 (White light) to select the desired color temperature.



When the slide switch is set to 3000K, the color temperature is set to Bright White.

When the slide switch is set to 3500K, the color temperature is set to Neutral White.

When the slide switch is set to 4000K, the color temperature is set to Cool White.

When the slide switch is set to 5000K, the color temperature is set to Daylight.

When the slide switch is set to 6500K, the color temperature is set to Daylight Deluxe.



NOTE: The color temperature is pre-set to 4000K.



Need Help?

Thank you for your purchase.

Questions, comments or feedback?

We'd love to hear from you.

Visit feit.com/help for support or connect with us:



@FeitElectric



@FeitElectricInc



feitelectriclighting