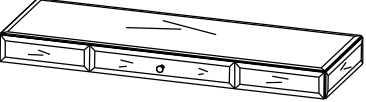

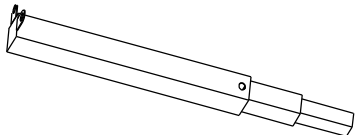
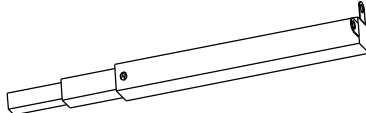
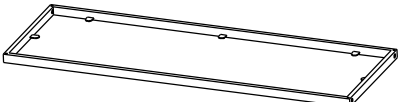
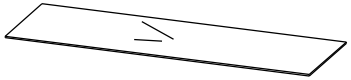

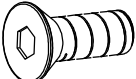
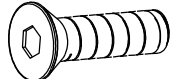
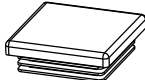

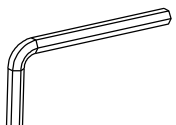
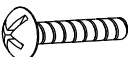

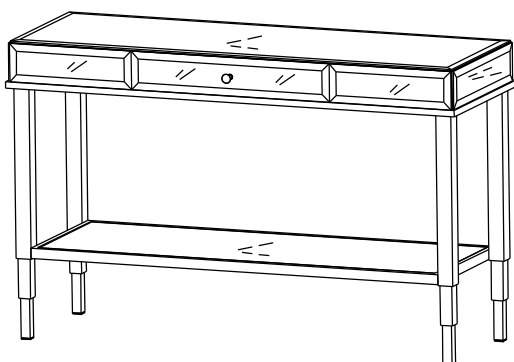


# ASSEMBLY INSTRUCTIONS

## MIRRORED METAL SOFA TABLE TV STAND WITH DRAWER

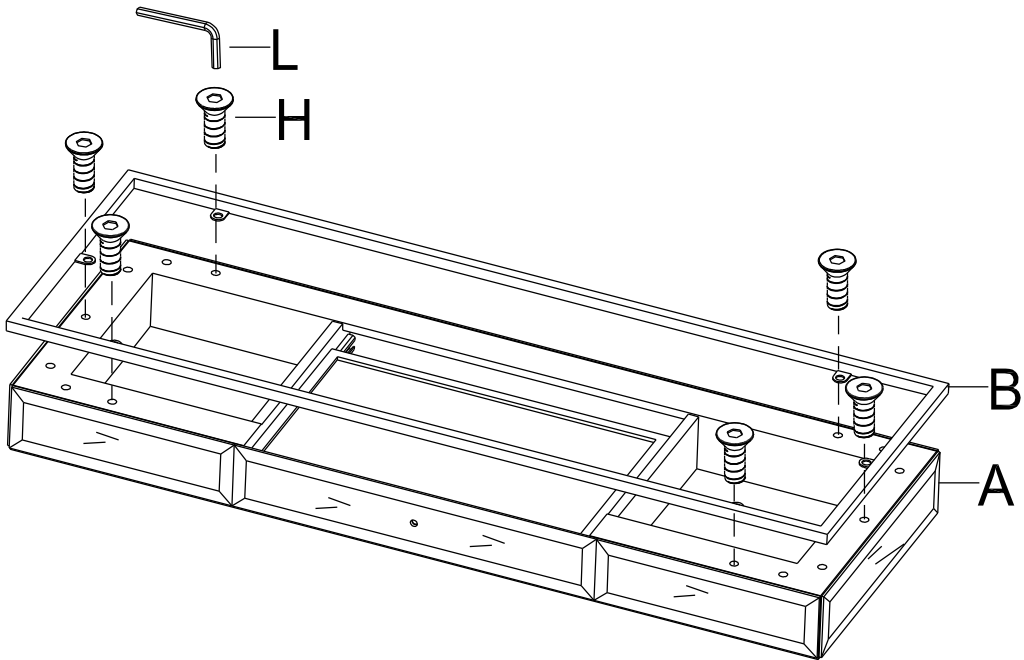
<p><b>A</b> Mirrored Top 1pc</p> 	<p><b>B</b> Top Frame 1pc</p> 	<p><b>C</b> Leg-C 2pcs</p> 
<p><b>D</b> Leg-D 2pcs</p> 	<p><b>E</b> Bottom Frame 1pc</p> 	<p><b>F</b> Mirror Shelf 1pc</p> 
<p><b>G</b> Knob 1pc</p> 	<p><b>H</b> Bolt 1/4" X 5/8" 14pcs</p> 	<p><b>I</b> Bolt 1/4" X 1" 4pcs</p> 
<p><b>J</b> End Cap 22mm 4pcs</p> 	<p><b>K</b> Glass Pad 12mm 8pcs</p> 	<p><b>L</b> Allen Wrench 1/4" 1pc</p> 
<p><b>M</b> Bolt (W/ Knob) 1-3/4" 1pc</p> 	<p><b>N</b> Plastic Washer (W/ Knob) 16mm 2pcs</p> 	



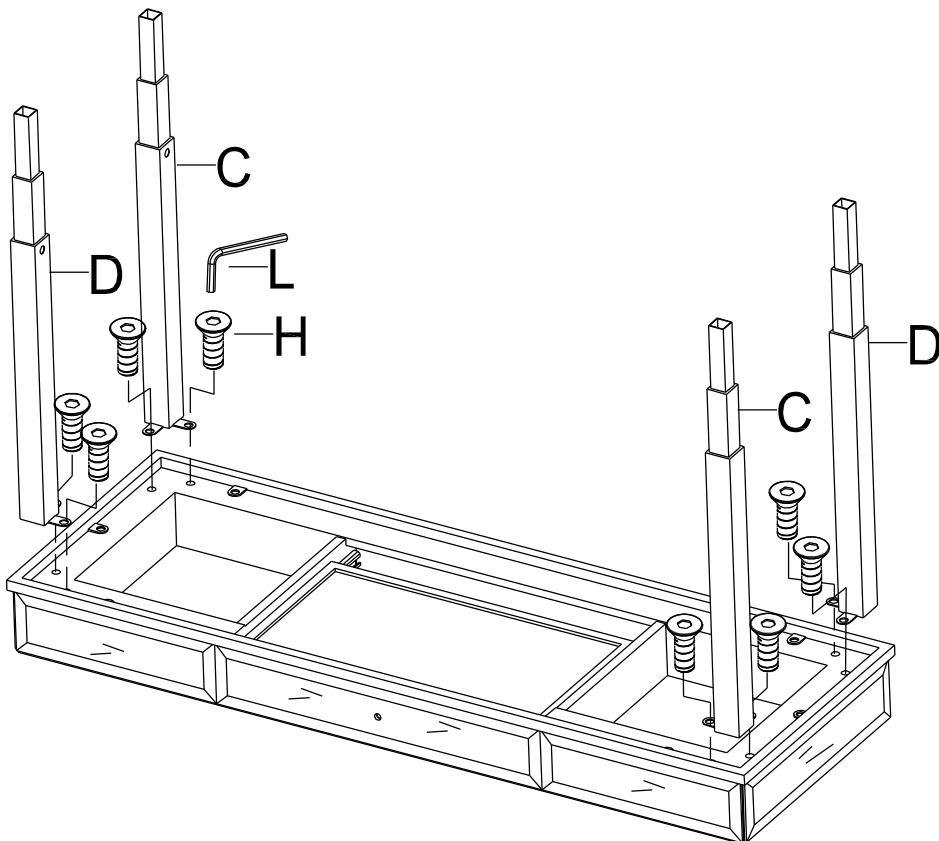
This page lists all the contents included in the box. Please take the time to identify the hardware as well as the individual components to this product. As you unpack and prepare for assembly, place the contents on a carpeted or padded area to protect them from damage.

**\*\*\* Do not tighten screws & bolts until the entire unit is completely assembled.**

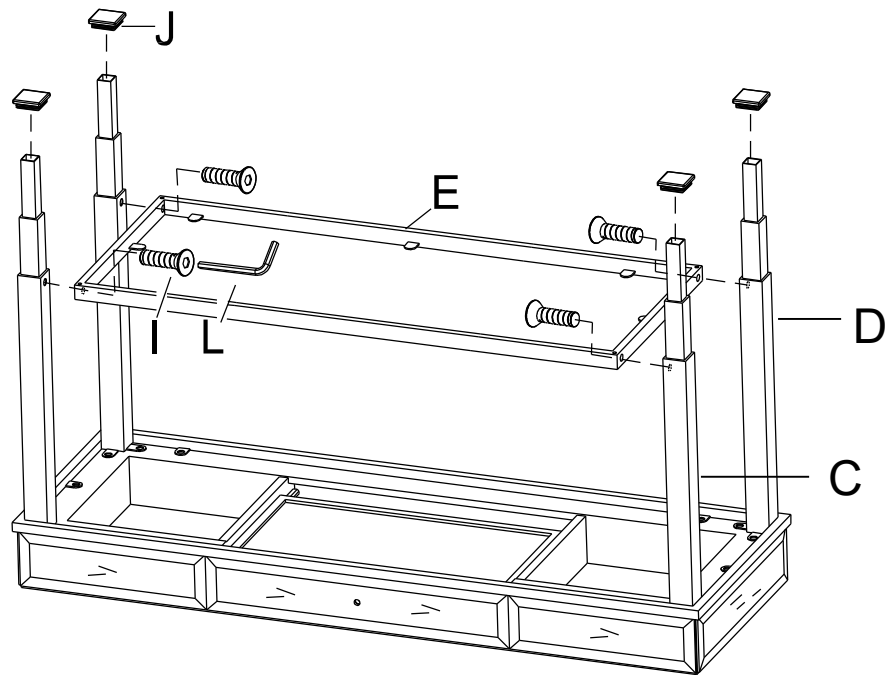
**1** Attach Top Frame (B) to Mirrored Top (A) by using Bolt (H) and Allen Wrench (L) as shown.



**2** Attach Leg (C) and Leg (D) to Mirrored Top (A) by using Bolt (H) and Allen Wrench (L) as shown.

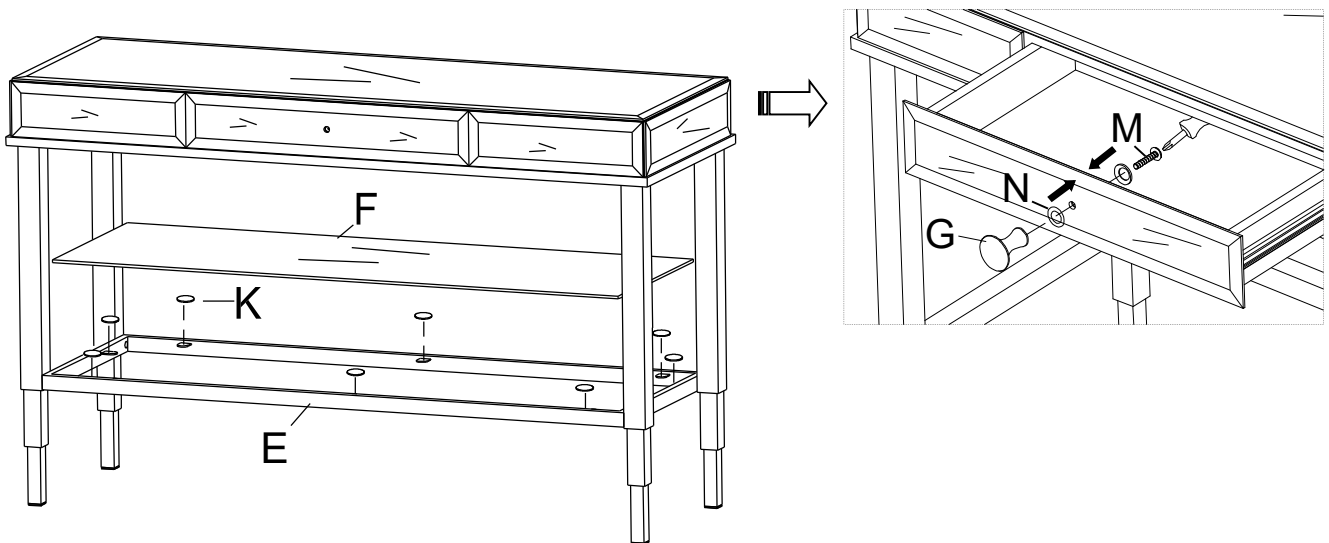


- 3** Attach Bottom Frame (E) to Leg (C & D) by using Bolt (I) and Allen Wrench (L) as shown. Attach End Cap (J) to Leg (C & D). Please tighten all bolts at this step.



- 4** Carefully turn the assembled unit upright. Attach Glass Pad (K) to Bottom Frame (E), then place Mirror Shelf (F) into Bottom Frame (E). Attach Knob (G) to the drawer front using Bolt (M) and Plastic Washer (N) with a screwdriver (not provided).

⊙ The 2 pcs of plastic washers are used to protect the mirrored surface. Please place one of the washers inside of the drawer and place the other one between the drawer front and Knob (G).



### Cleaning & Care

Treat surfaces with care. Surfaces are resistant to scratches but are not scratch resistant. Clean surfaces with a dry or damp soft cloth. Do not use abrasive cleaners. Hardware may loosen over time. Periodically check that all connections are tight.