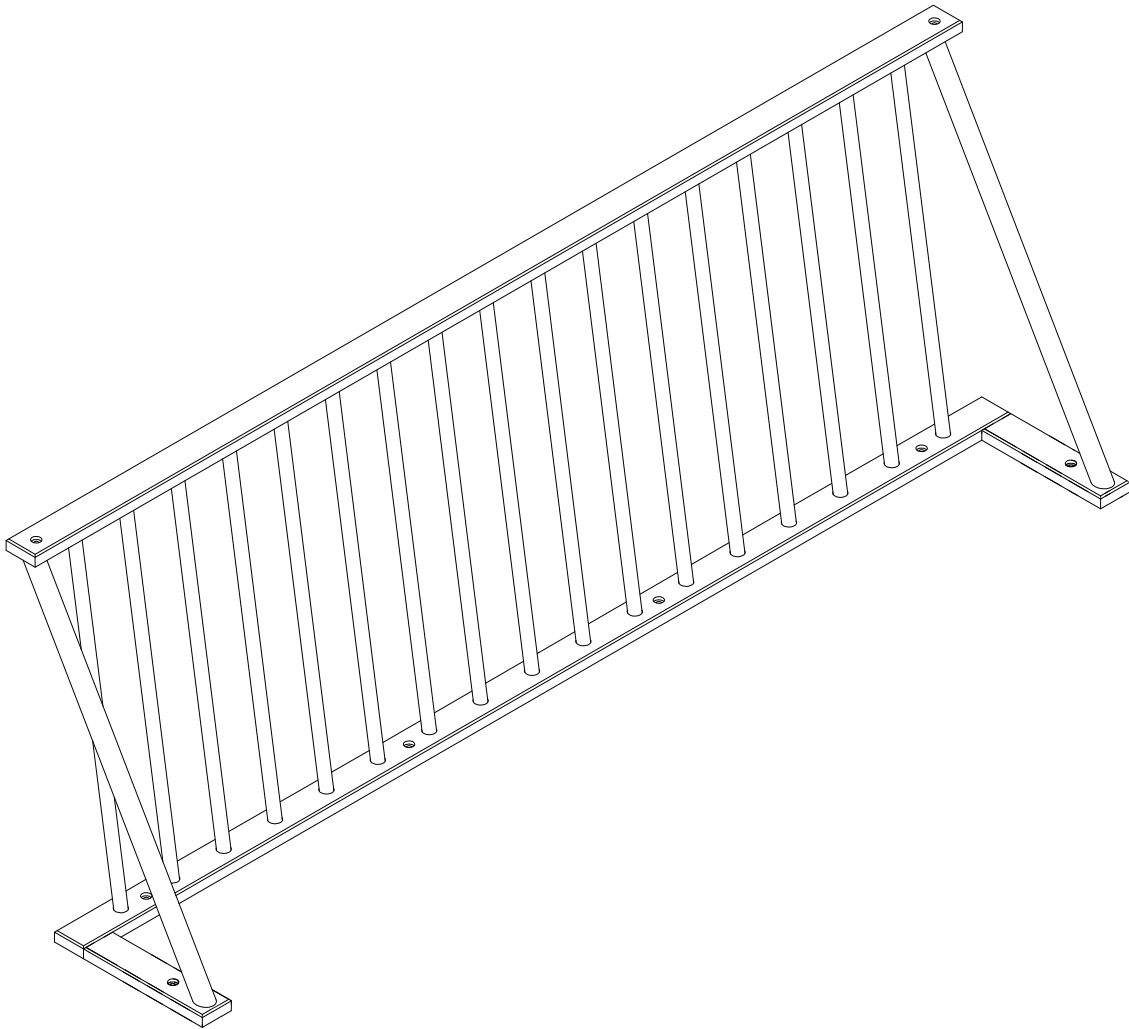


Item # : HBKSPIN Assembly Instructions



Walker
Edison®

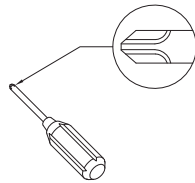
Please visit our website for the most current instructions, assembly tips, report damage, or request parts. www.walkeredison.com

Revised 06/2020

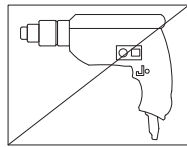
Copyright © 2018, by Walker Edison Furniture Co., LLC. All rights reserved.

General Assembly Guidelines

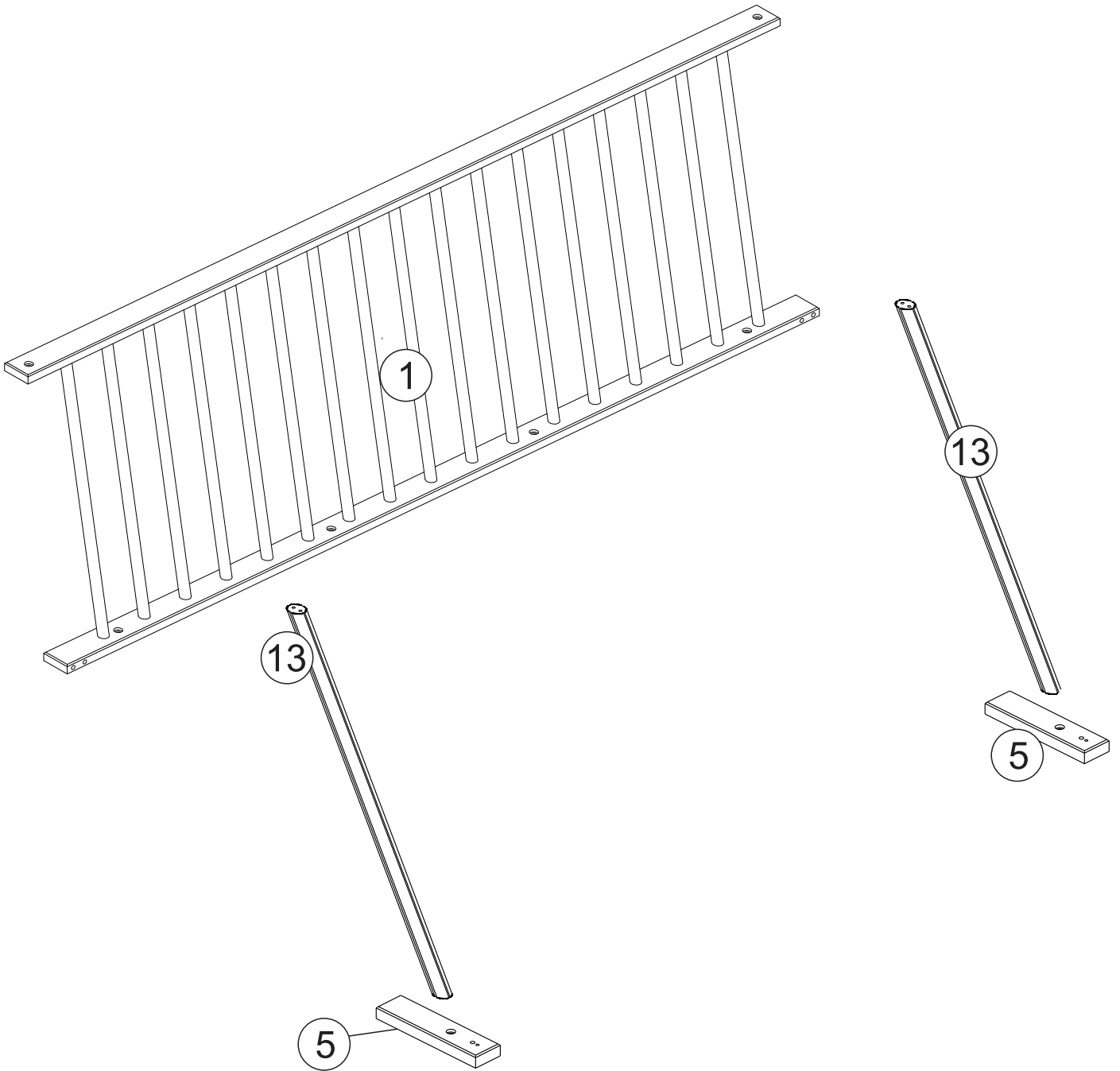
- I. Ensure that all parts and hardware are available before beginning assembly.
- II. Follow each step carefully to ensure the proper assembly of this product.
- III. Two people are recommended for ease in the assembly of this product.
- IV. The three main types of hardware used to assemble this product are : wood dowels , screws and bolts.
- V. A Phillips head screwdriver is required for the assembly of this product .



- VI. Power tools should not be used to assemble this product .



Parts List







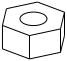
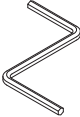
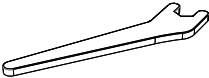


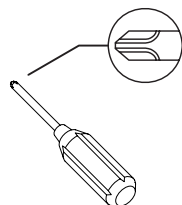
Part 1: Monted headboard

Part 5: Bracket

Part 13: Support beam

Hardware List



E		Ø 10x40	Wood dowel	06 pcs
F		Ø6x30 mm	Wood dowel	04 pcs
O		Ø4.0x40 mm	Screw	02 pcs
D		Ø7x50 mm	Bolt	04 pcs
G		Ø 1/4"x60 mm	Bolt	06 pcs
H			Washer	06 pcs
I			Nut	06 pcs
J			Hex key	01 pcs
K			Wrench	01 pcs

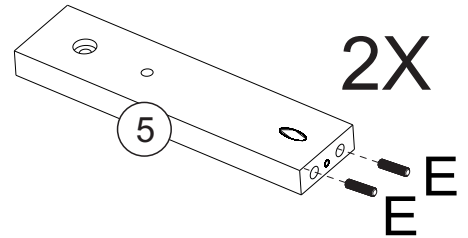
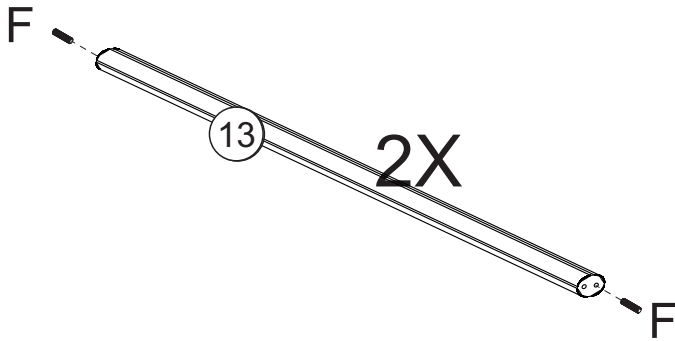


Philips head screwdriver required for assembly
(not included)

*The hardware quantities listed above are required for proper assembly.
Some extra hardware may also have been included.*

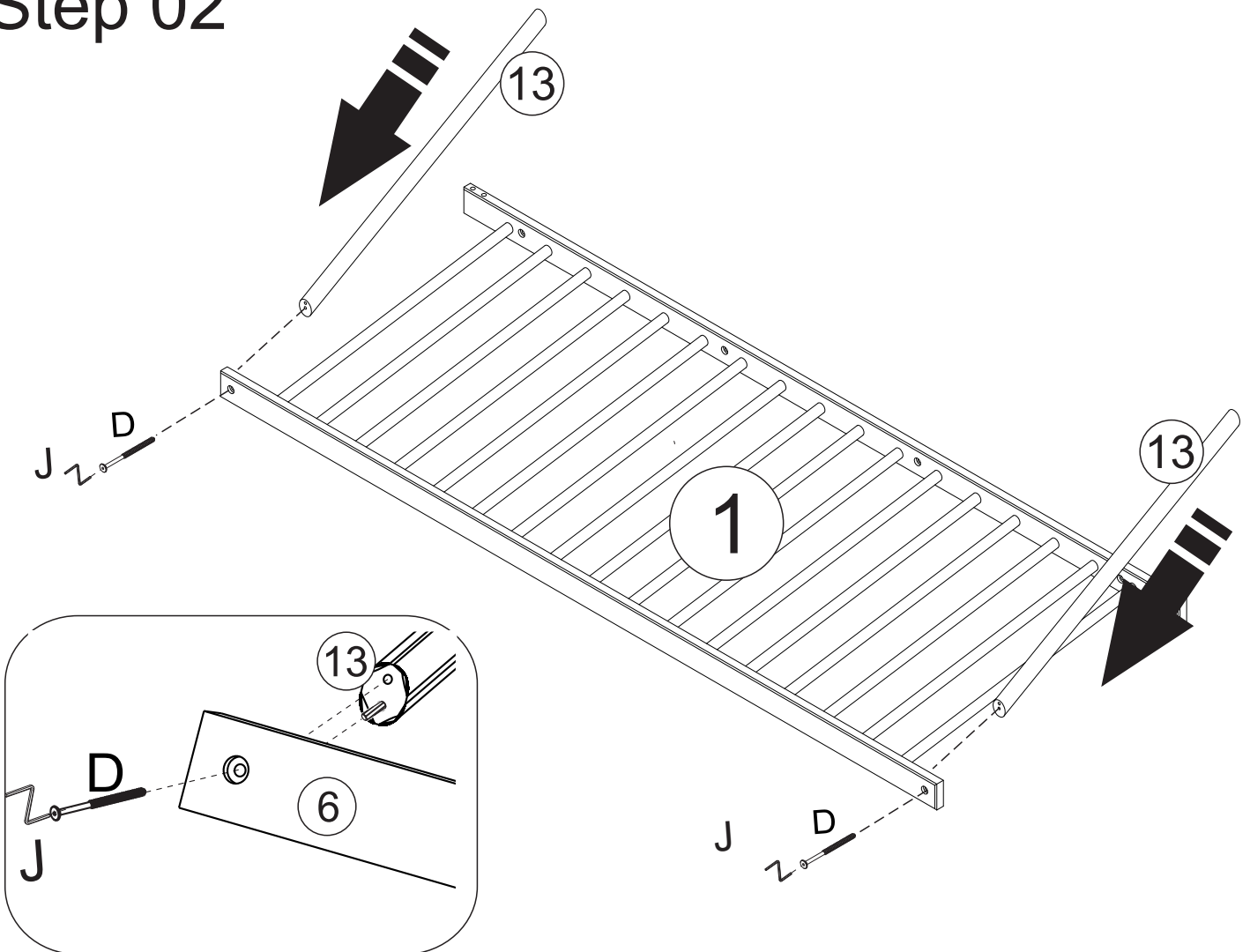
Step 1

E	
F	



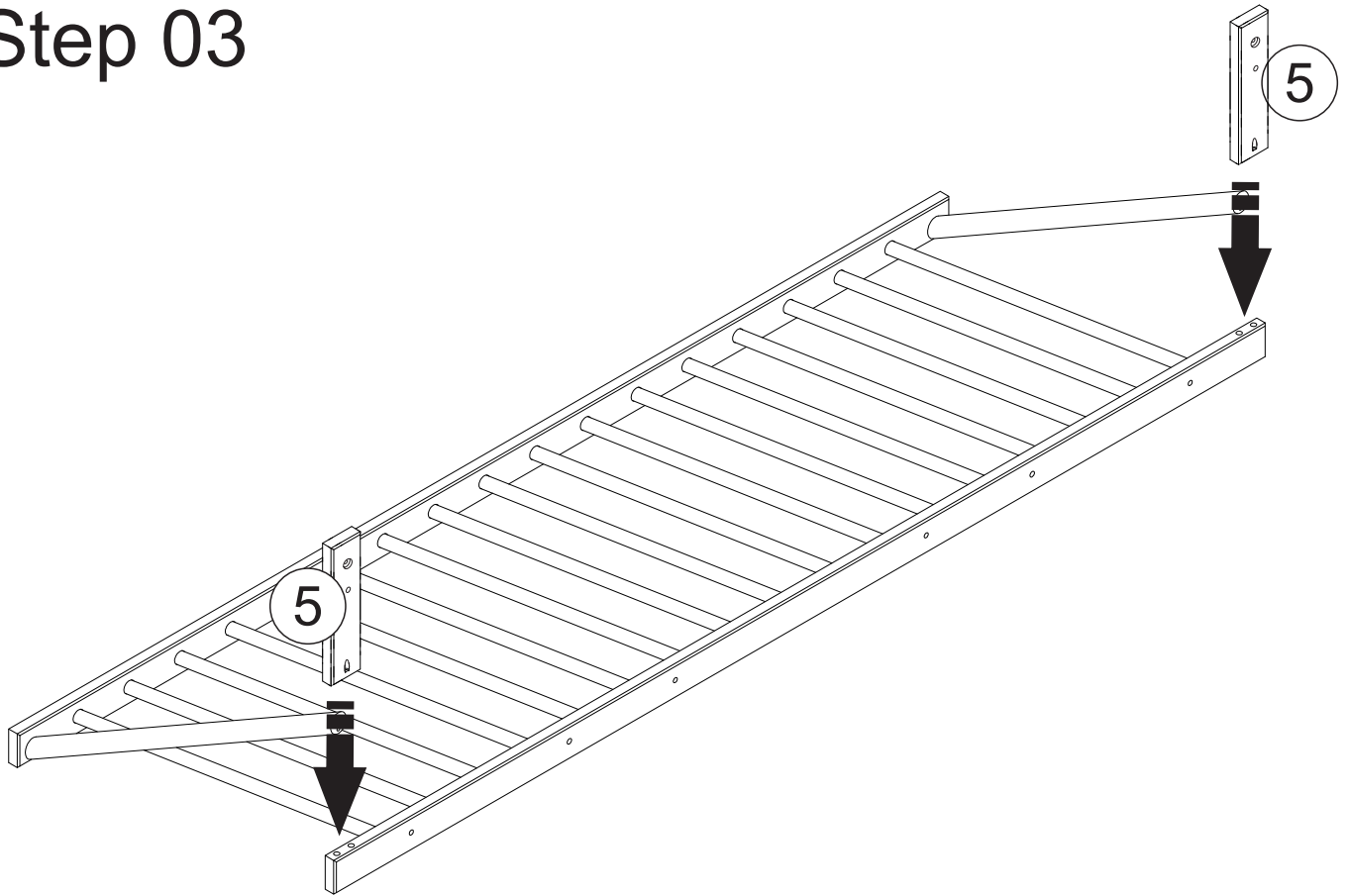
Insert wooden dowels (E) into rails (5), dowels (F) into parts (13),

Step 02



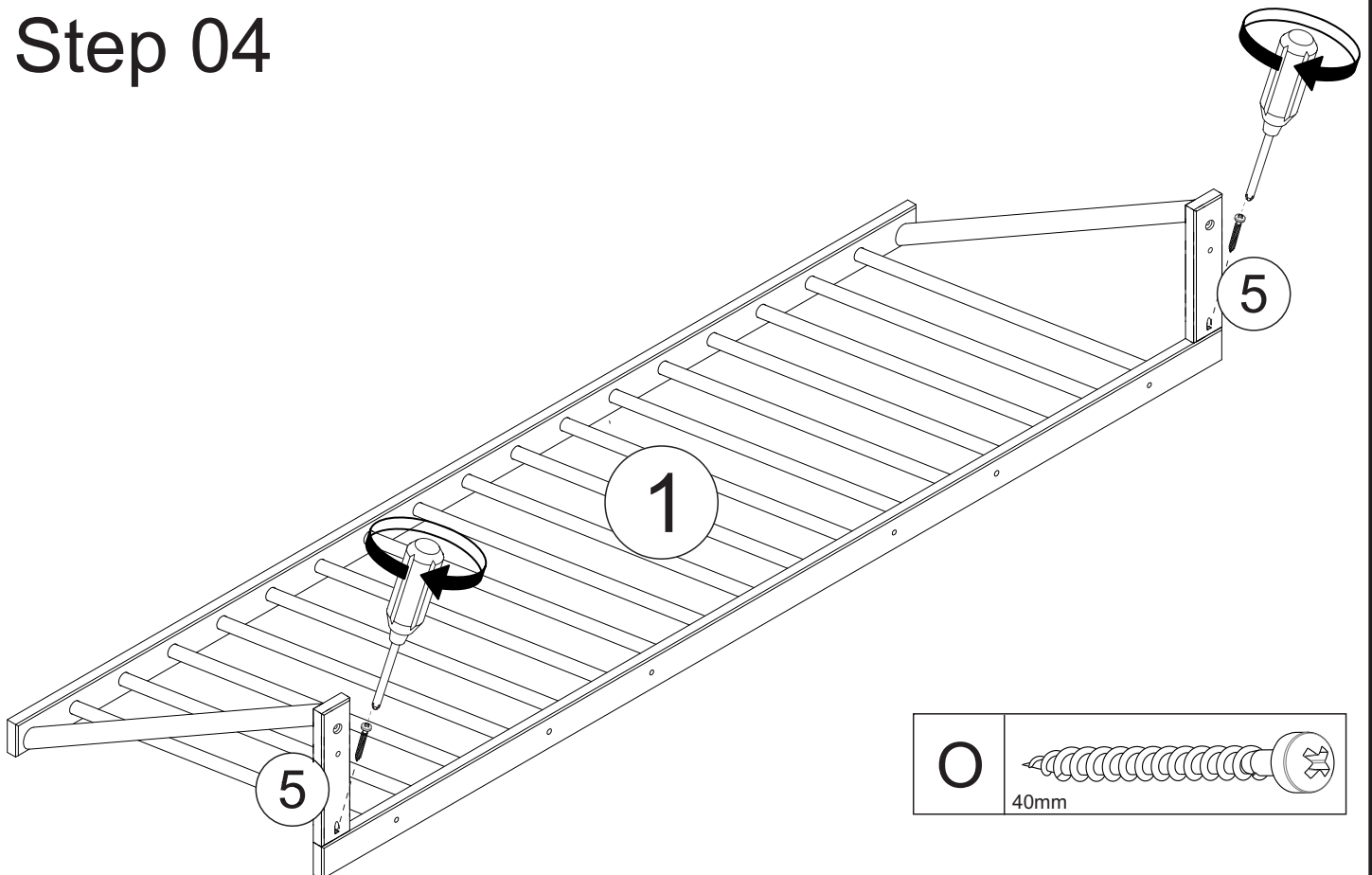
Connect parts (13) to parts (1) using bolt (D) and hex key (J).

Step 03



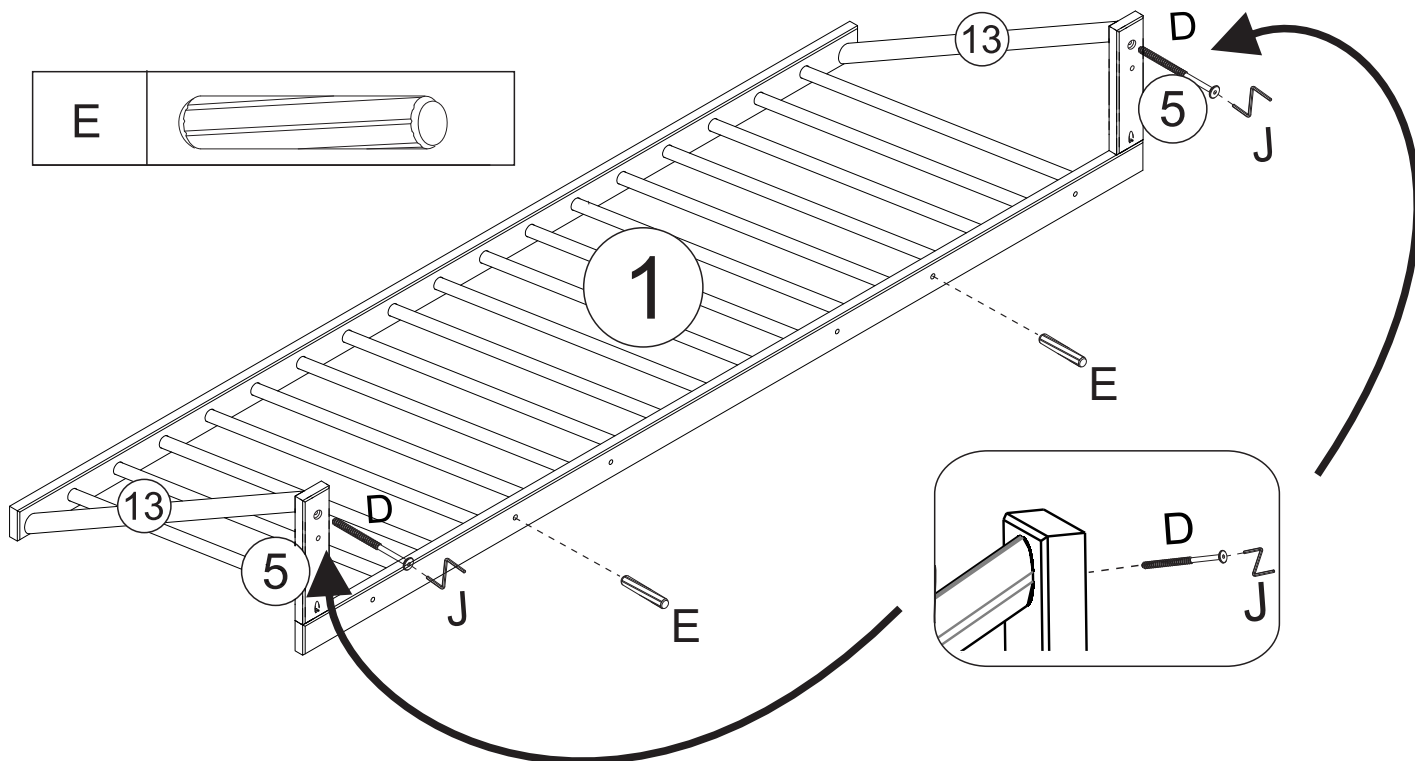
Align parts (5) on part (1)

Step 04



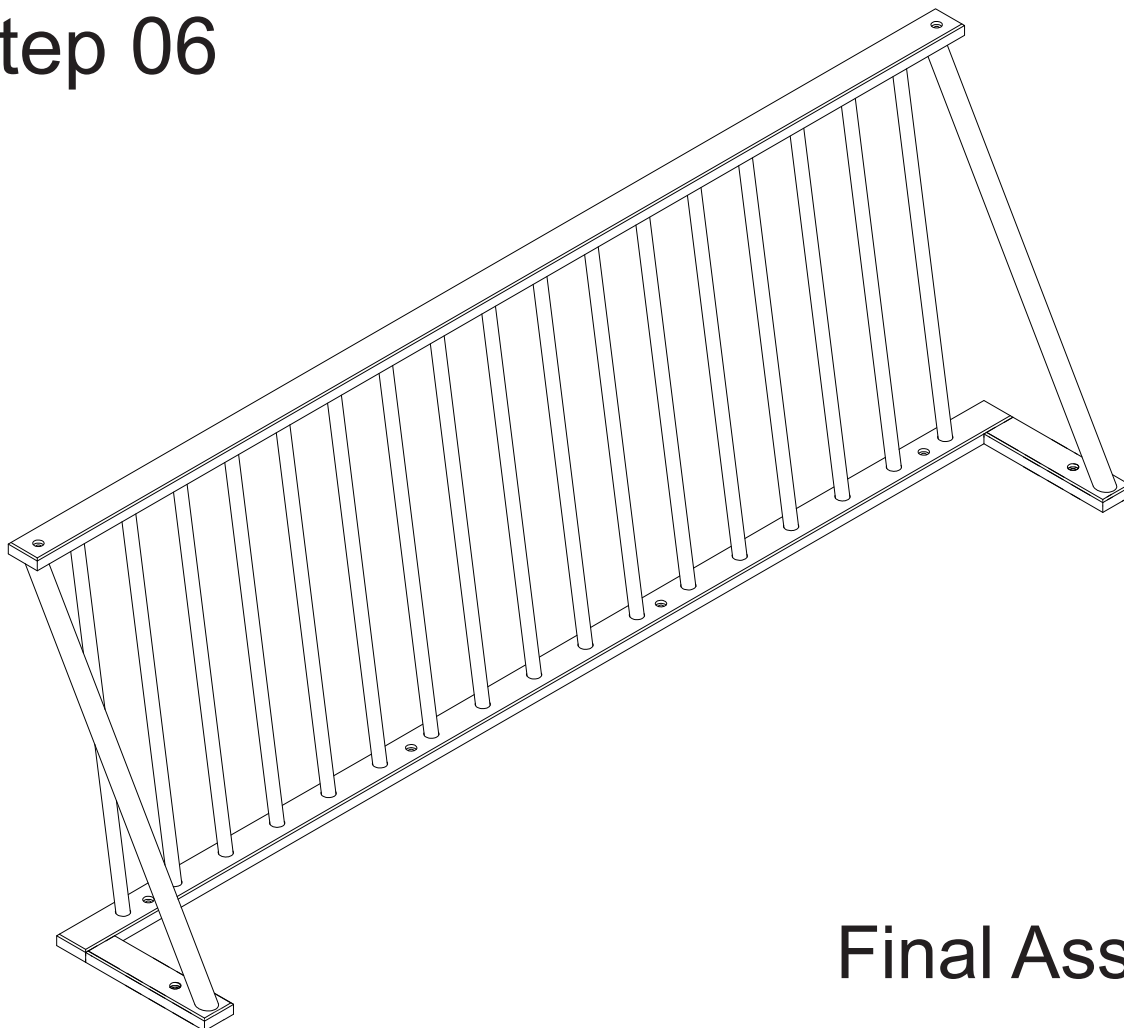
connect parts (5) and Note the drawing for location of pocket hole.
Secure parts(5) to part (1) using screw (O)

Step 05



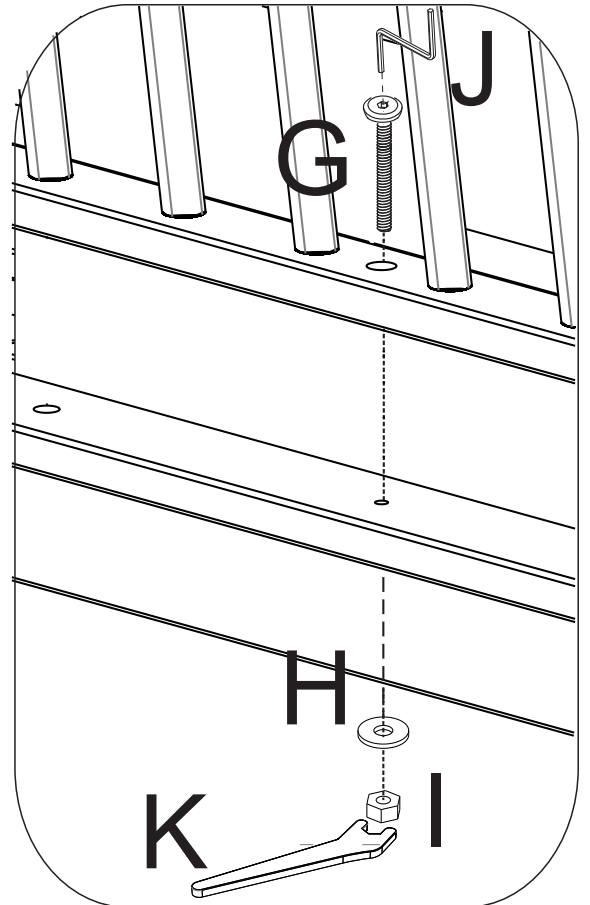
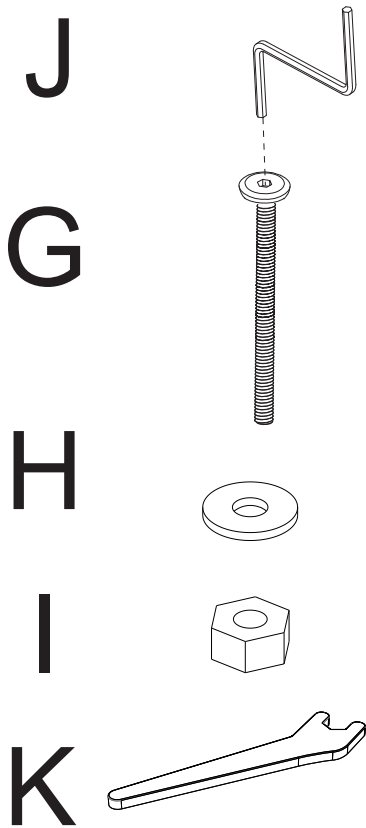
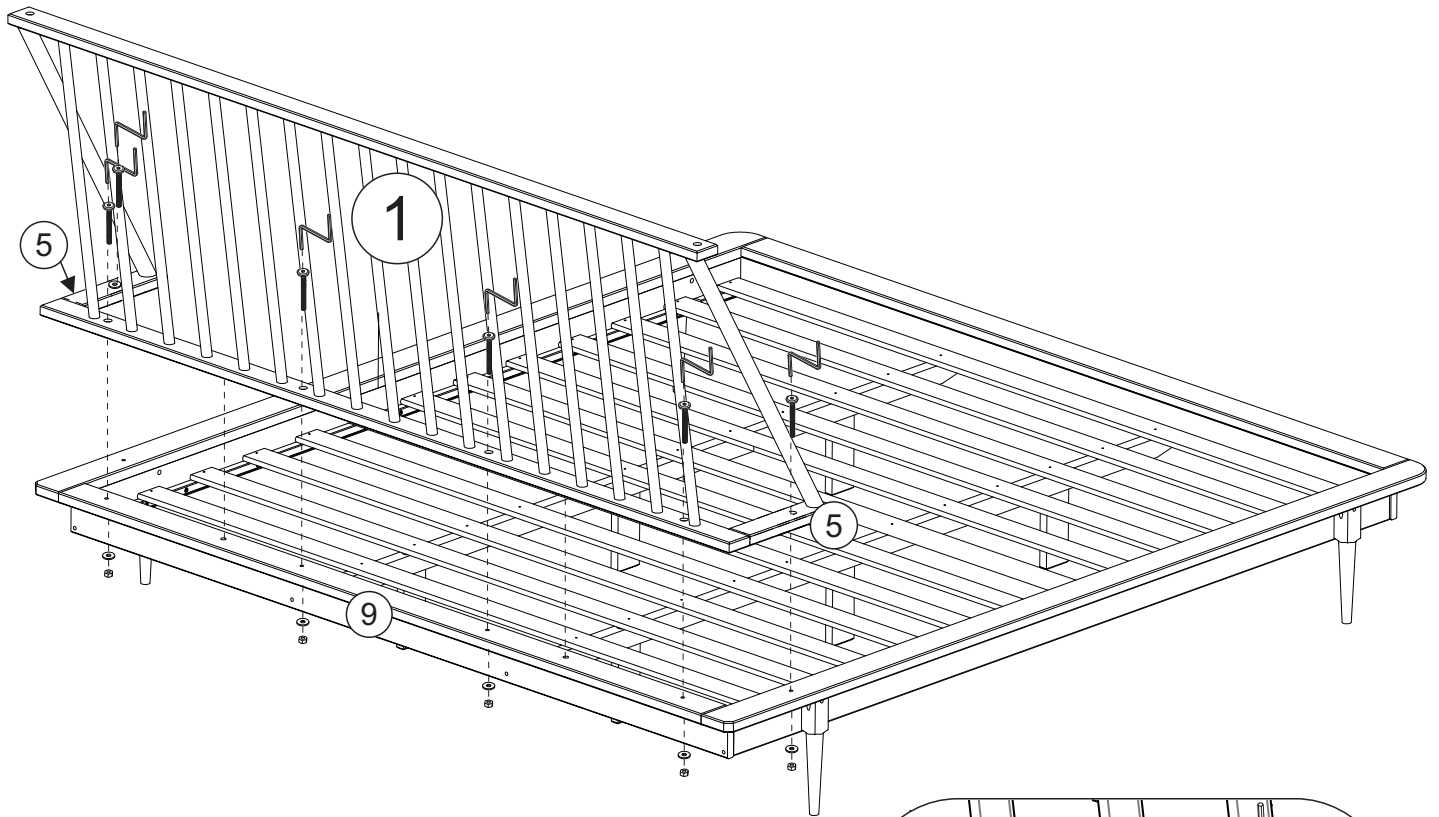
Connect parts (5) to parts (13) using bolt D and hex key (J)
Insert Wood Dowel (E) in holes to part (1)

Step 06



Final Assembly

Step 07 Opitonal Assemble



Attach base Headboard (5,1) on holes of the frame (9) using Bolt (G), washer (H), and nut (I) Tighten using both the hex key (J) and wrench(K)