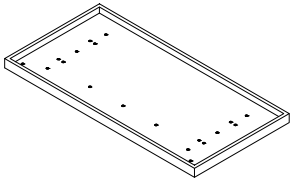


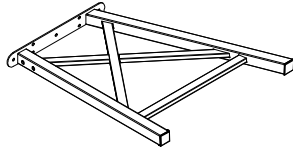
ASSEMBLY INSTRUCTION

DESK

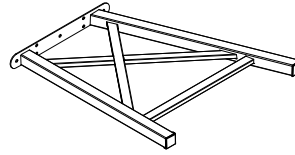
A Top Panel **B** Left Side Frame **C** Right Side Frame **D** Back Apron



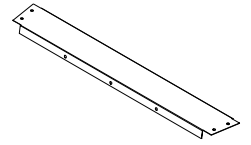
1pc



1pc



1pc



1pc

E Bolt
Ø1/4"x5/8"



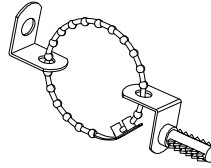
23pcs

F Allen Key
M4

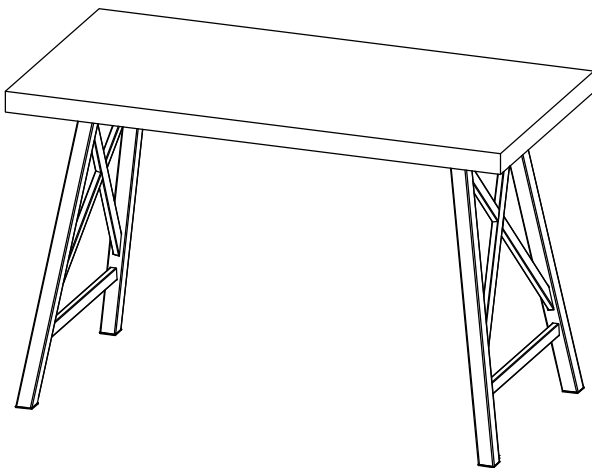


1pc

G Anti-Tipping Kit

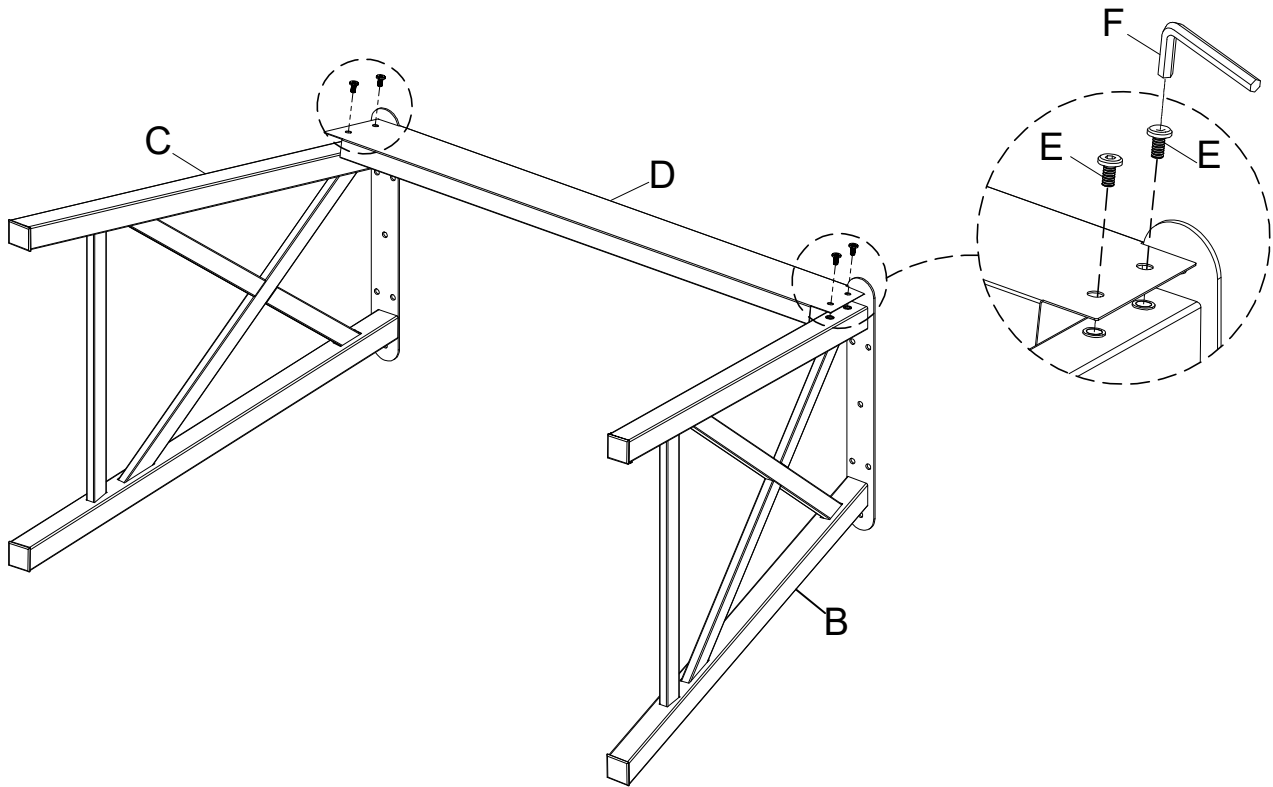


2sets

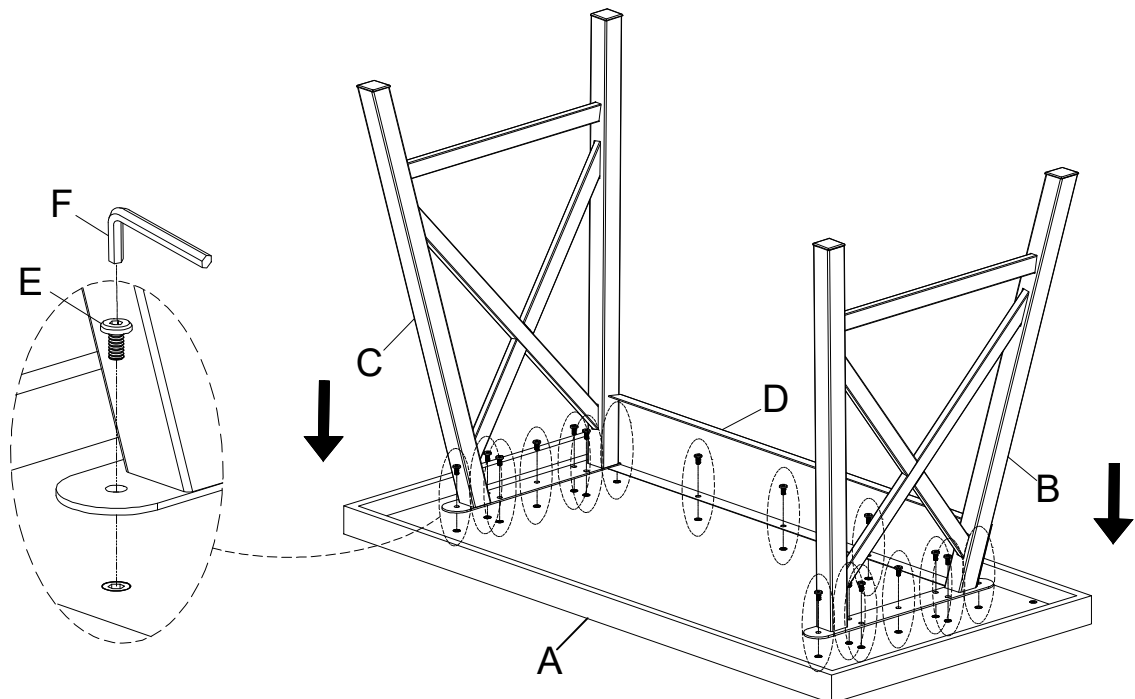


This page lists all the contents included in the box. Please take the time to identify the hardware as well as the individual components to this product. As you unpack and prepare for assembly, place the contents on a carpeted or padded area to protect them from damage.

1 Attach Back Apron (D) to Left Side Frame (B) & Right Side Frame (C) using Bolt (E) by Allen Key (F) as below shown.



2 Attach Left Side Frame (B), Right Side Frame (C) and Back Apron (D) to Top Panel (A) using Bolt (E) by Allen Key (F) as below shown.



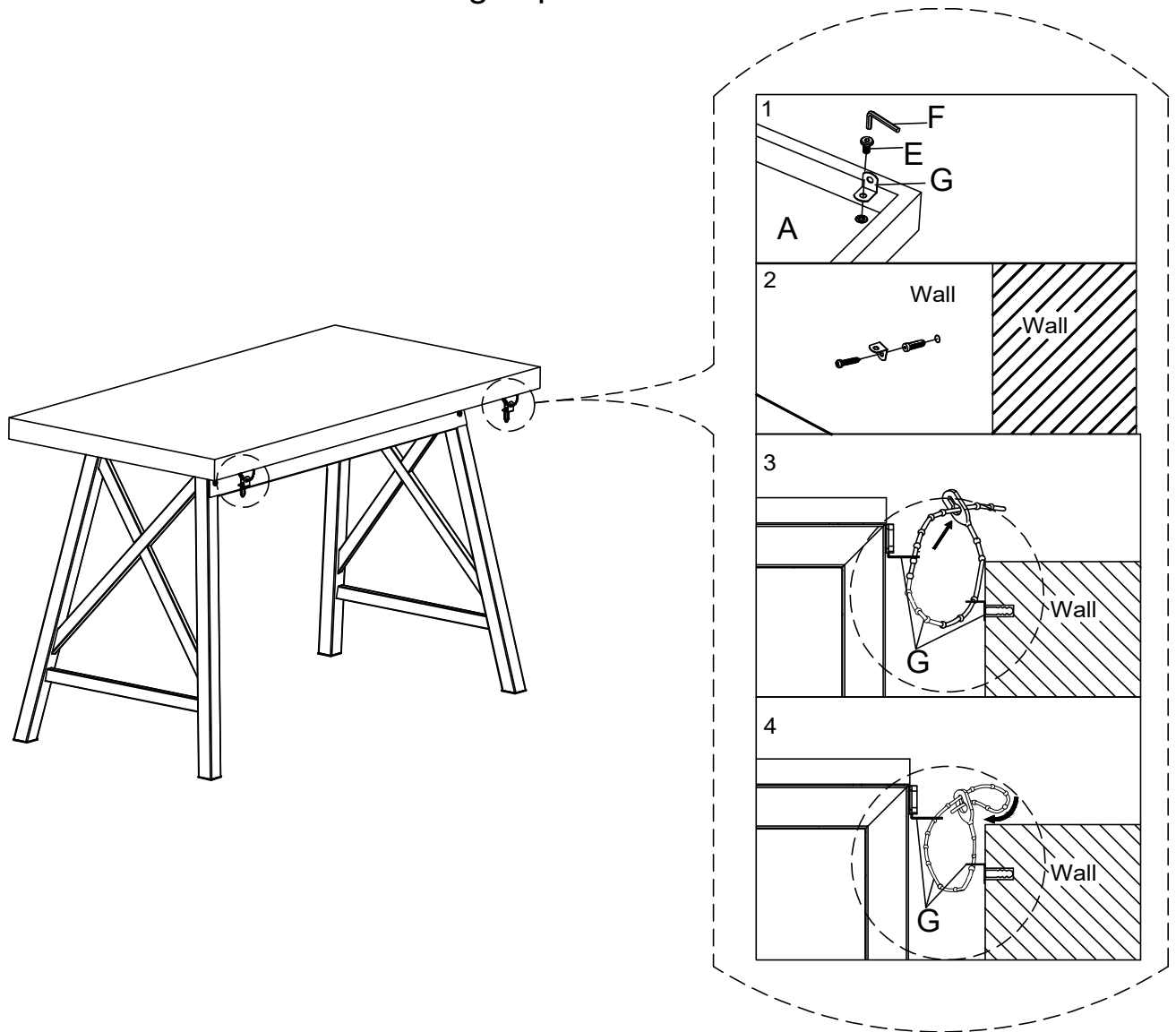
3 *NOTE: WE RECOMMEND THAT YOU ATTACH THE PRODUCT TO YOUR WALL AS A SAFETY PRECAUTION USING ANTI-TIPPING KIT (G) AS BELOW INSTRUCTION.

Attach 2pcs mounting plate of Anti-Tipping Kit (G) to the holes on back of Top Panel using Bolt (E) by Allen Key (F), making sure the Mounting Plate extend DOWNWARD.

Drill 2 holes in your wall approximately 2" (Inches) BELOW the corresponding positions of Mounting Plate and insert Wall Anchor as shown.

* NOTE: You may need to tap LIGHTLY with a rubber mallet.

Now connect the corresponding Mounting Plate with Connection Strap and tighten as described before locking in place.



Cleaning & Care

Treat surface with care. Surface is resistant to scratches but is not scratch resistant. Clean surfaces with a dry or damp soft cloth. Do not use abrasive cleaners. Hardware may loosen over time. Periodically check that all connections are tight.