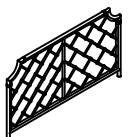
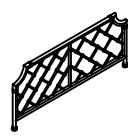

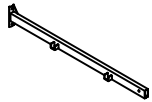
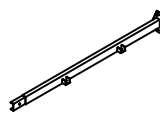
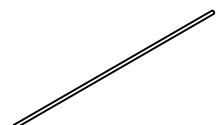
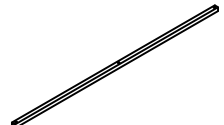
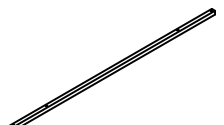

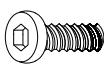
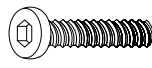

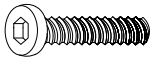




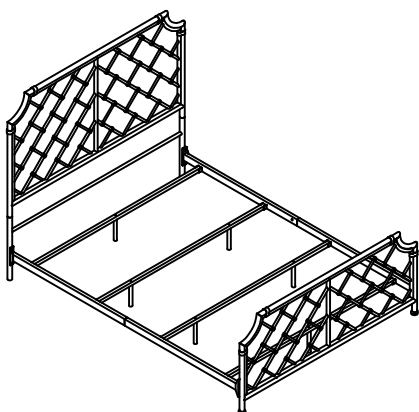


ASSEMBLY INSTRUCTION

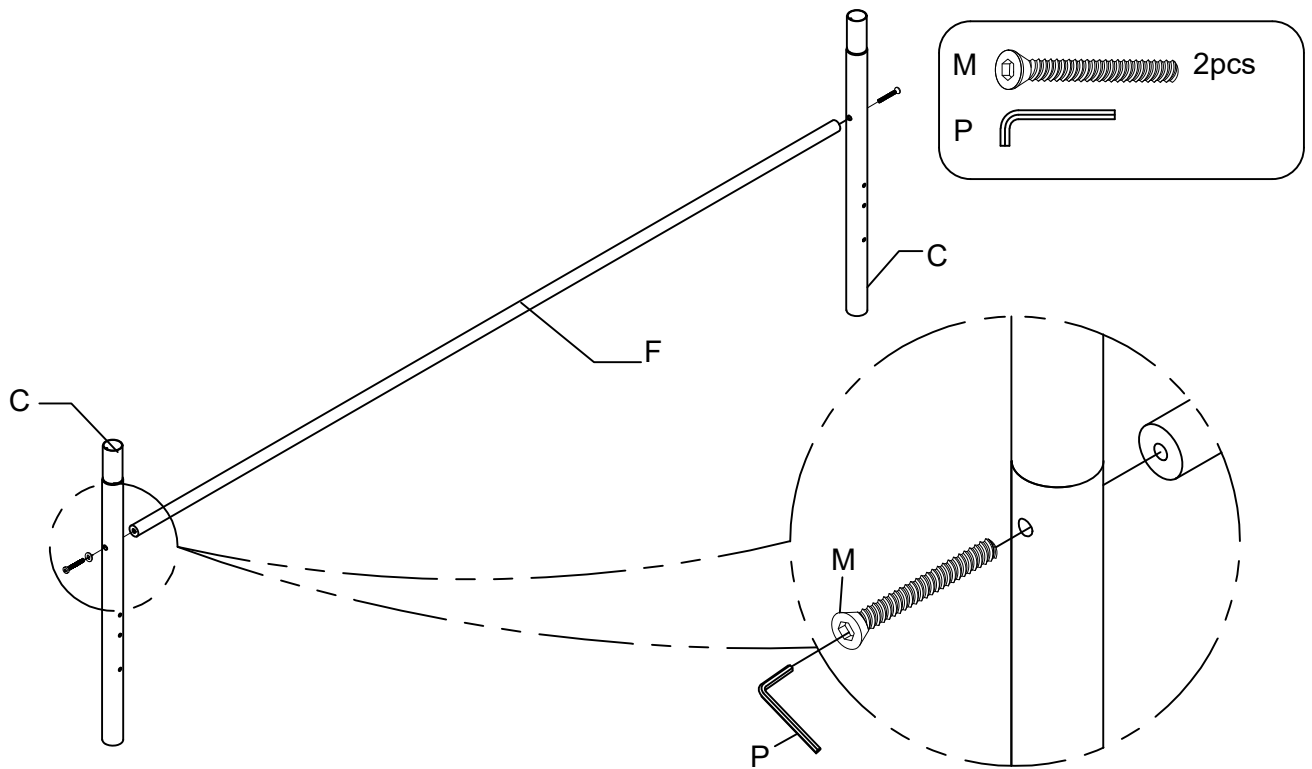
E362BQ QUEEN BED

A Headboard  1pc	B Footboard  1pc	C Extension Legs  2pcs	D Side Rail - Front  2pcs
E Side Rail - Rear  2pcs	F Bar  1pc	G Slats - Front / Rear  2pcs	H Slats - Center  2pcs
I Support Legs  6pcs	J Bolts $\text{Ø}1/4\text{"x}1/2\text{"}$  4pcs	K Bolts $\text{Ø}1/4\text{"x}3/4\text{"}$  18pcs	L Bolts $\text{Ø}1/4\text{"x}1-3/4\text{"}$  6pcs
M Bolts $\text{Ø}1/4\text{"x}2\text{"}$  6pcs	N Hex Nut $\text{Ø}1/4\text{"x}10\text{mm}$  4pcs	O Flat Washer $\text{Ø}1/4\text{"x}16\text{mm}$  28pcs	P Allen Key M4  1pc
Q Wrench $\text{Ø}1/4\text{"}$  1pc			

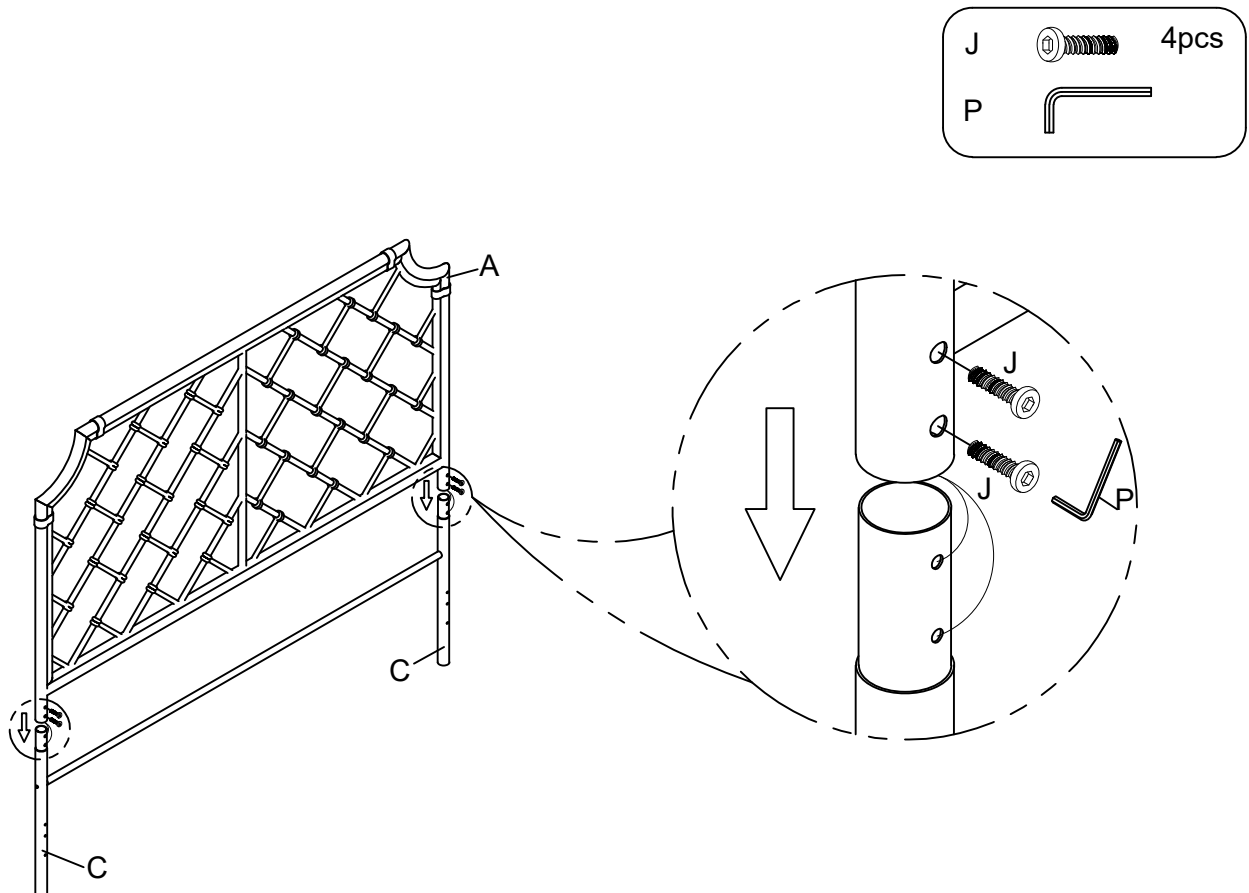


This page lists all the contents included in the box. Please take the time to identify the hardware as well as the individual components to this product. As you unpack and prepare for assembly, place the contents on a carpeted or padded area to protect them from damage.

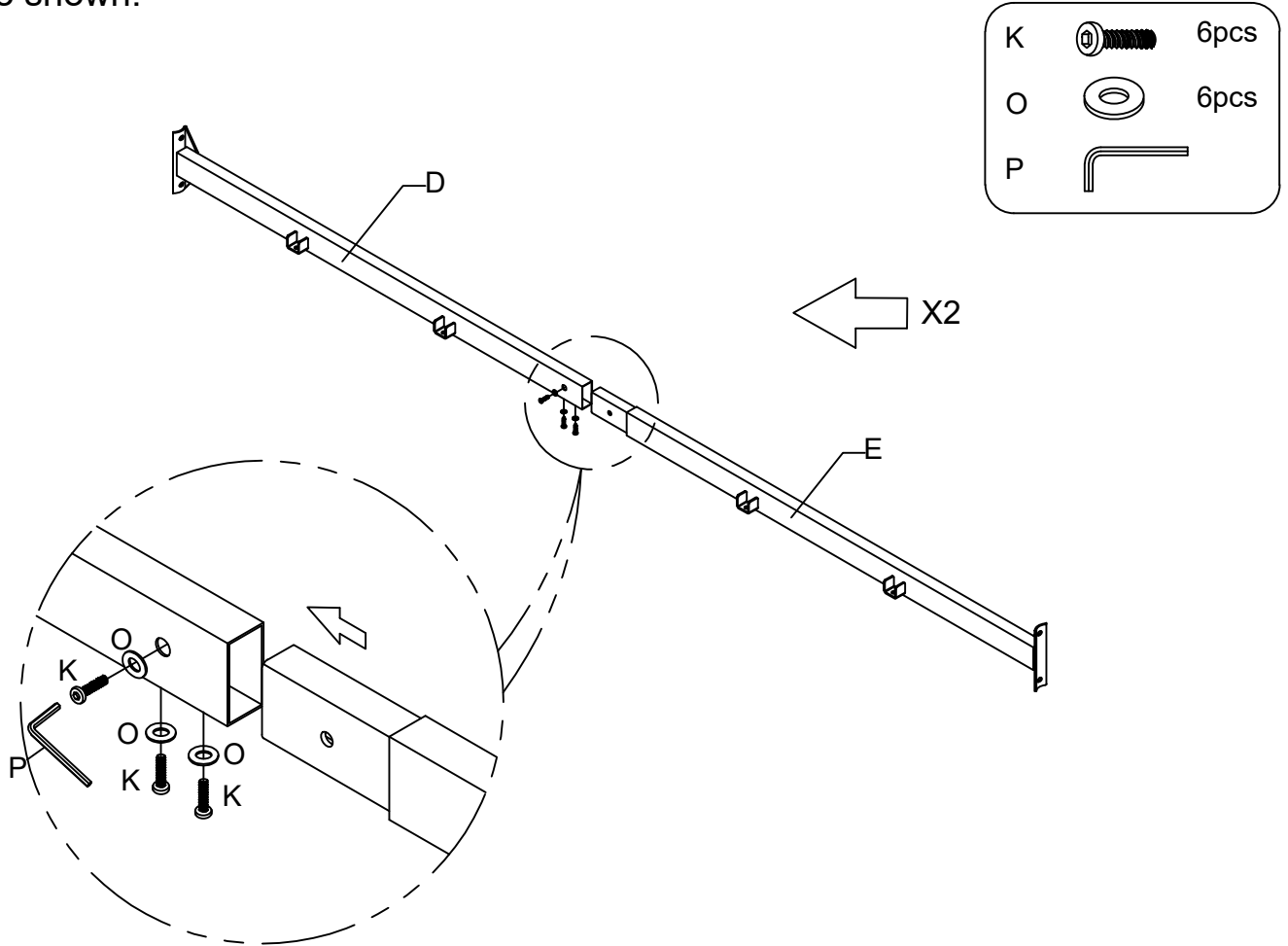
1 Assemble Bar (F) to the Extension Legs (C) with Bolts (M), then fastened using Allen Key (P).



2 Assemble the Headboard (A) to the Extension Legs (C) with Bolts (J), then fastened using Allen Key (P).



3 Connect both Side Rail (D) & (E) using Bolts (K), Flat Washer (O) by Allen Key (P) as picture shown.



4 Attach the Side Rail (D) & (E) to Extension Legs (C) and Footboard (B) using Bolts (K) & (M), Flat Washer (O), Hex Nut (N) by Allen Key (P), Wrench(Q).

