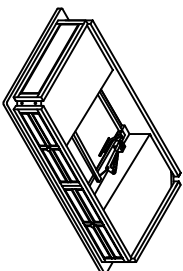
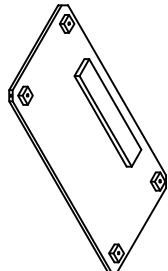









# ASSEMBLY INSTRUCTION

## 3257RF-30 LIFT TOP COCKTAIL TABLE

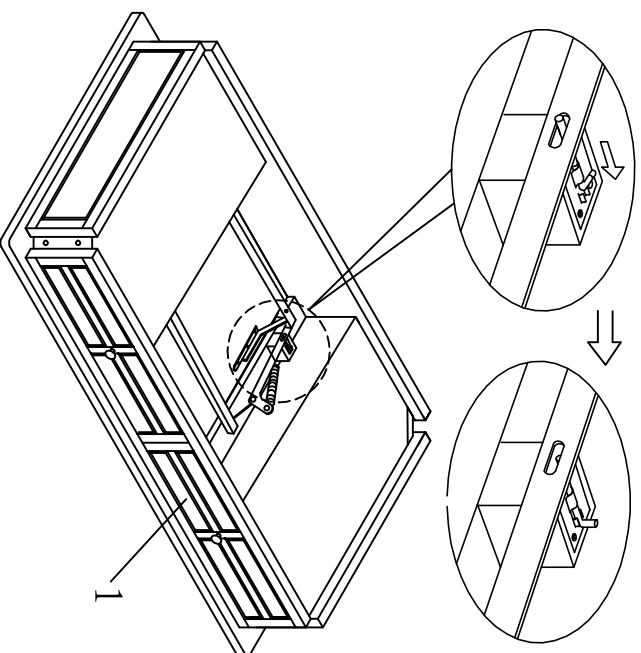
**PARTS LIST:**

		HARDWARE LIST	
			
	1: TABLE TOP 1pc	2: BOTTOM SHELF 1pc	
		3: LEG 4pcs	
A		Ø1/4"*2"L	8PCS
B		4mm	1PC
C		CASTER WITH LOCK	2PCS
D		CASTER	2PCS
E		ALLEN WRENCH	1PC
F		WOOD DOWEL Ø8*40mm	4PCS

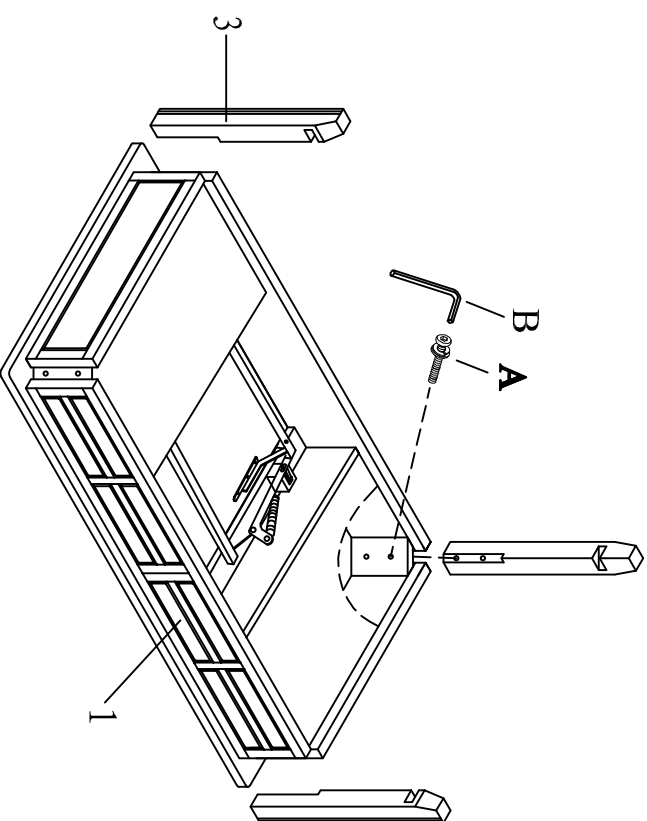
**STEP#1**

**LOCK**

**UNLOCK**



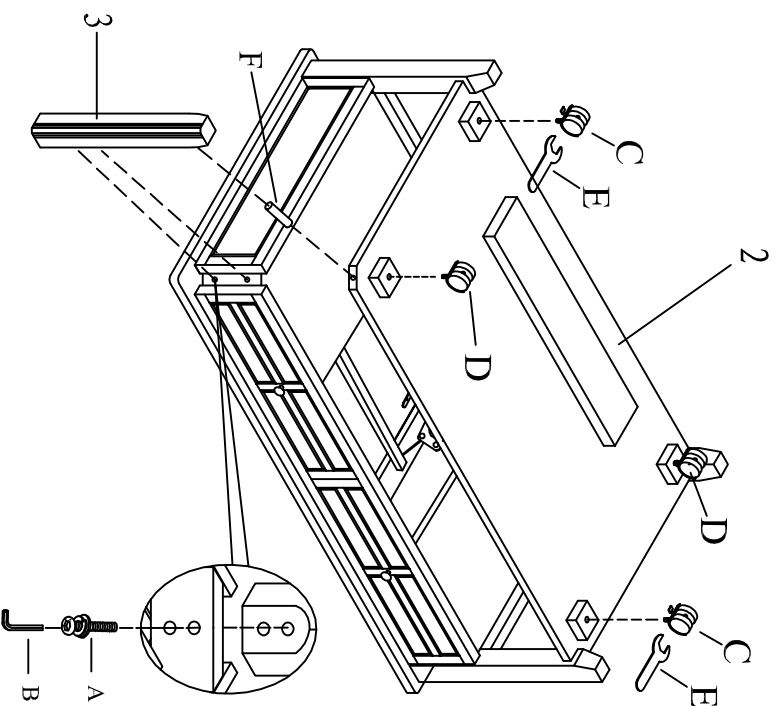
**STEP#2**



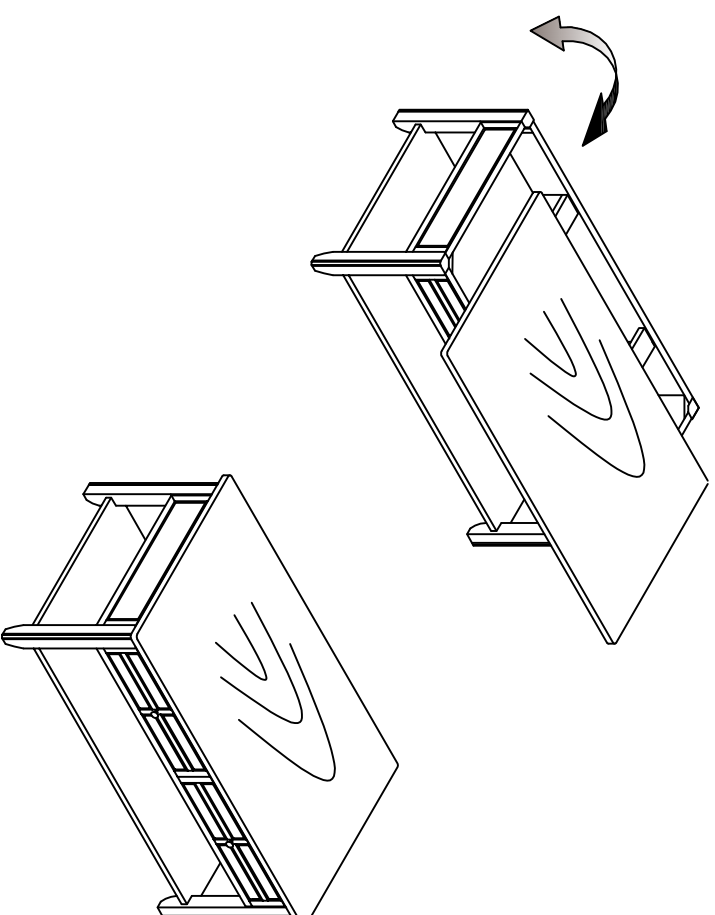
# ASSEMBLY INSTRUCTION

## 3257RF-30 LIFT TOP COCKTAIL TABLE

### STEP 3



COMPLETED



### CAUTION!

Do not allow children to play on the mechanized furniture or operate the mechanism. Top surfaces fold down on closing, so that a child could possibly be injured. Always leave furniture in the closed position when unattended. To prevent the table from tipping over, do not place more than 30 pounds on the top when in the open position. **KEEP HANDS CLEAR OF MECHANISM.**



For items use on wooden floor, hard surfaces or carpets, it is recommended to install protective pads under all legs and supports to avoid/prevent from damages/scratches and discoloration.