

### Storage

Check that the food chopper is cool, clean and dry before storing in a cool, dry place.  
 Never wrap the cord tightly around the food chopper; wrap it loosely to avoid causing damage.

### Troubleshooting

Problem	Possible cause	Solution
The food chopper will not operate.	The food chopper is not connected to the mains power supply.	Plug in and switch on the food chopper at the mains power supply.
	The food chopper is not correctly assembled.	Check that the chopper has been properly assembled and that the chopping bowl and lid are secured into place.
Dry ingredients are clumping together.	The chopping bowl is wet.	Dry the chopping bowl thoroughly before adding ingredients.
There are large chunks of ingredients after chopping.	The chopping bowl has been overfilled.	Remove some of the ingredients and chop in batches.

### Specifications

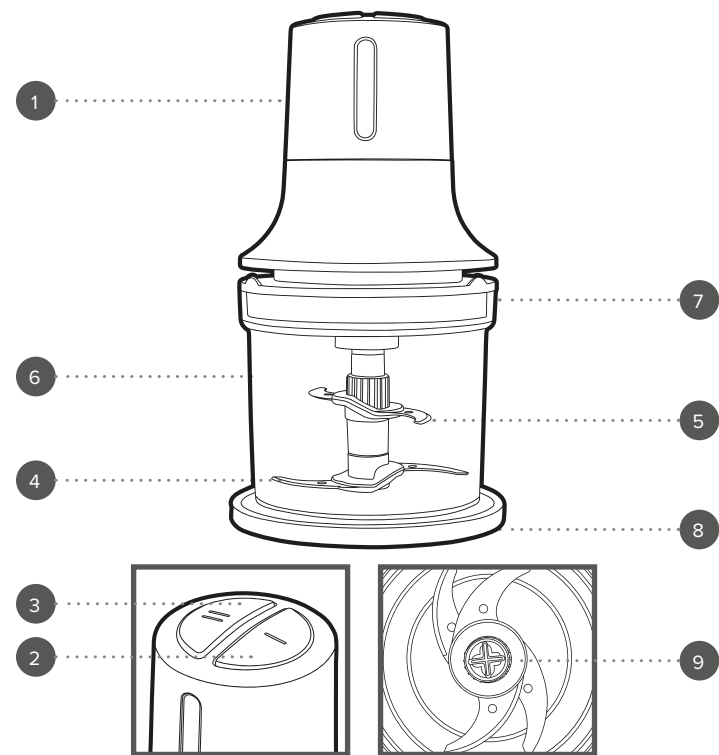
Product code: EK6521  
 Input: 220–240 V ~ 50–60 Hz  
 Output: 250 W



**Disposal of Waste Batteries and Electrical and Electronic Equipment**  
 This product is labelled with this crossed out wheel bin symbol in accordance with European Directive 2012/19/EC to indicate that it must not be disposed of with your other household waste. Due to the presence of hazardous substances, mixtures or components, electrical and electronic devices that are not subject to selective sorting are potentially dangerous to the environment and human health. Please check your local city office or waste disposal service for the return and recycling of this product.

# User manual

Food chopper



- 1. Food chopper main unit
- 2. Low speed button (I)
- 3. High speed button (II)
- 4. Main blade attachment
- 5. Additional blade attachment
- 6. Chopping bowl (500 ml)
- 7. Chopping bowl lid
- 8. 2-in-1 non-slip base and storage lid
- 9. Pin

Manufactured by:  
 Ultimate Products UK Ltd.,  
 Victoria Street, Manchester OL9 0DD. **UK.**  
 Ultimate Products Europe Ltd.,  
 19 Baggot Street Lower, Dublin D02 X658. **ROI.**  
**MADE IN CHINA.**

CD011024/MD000000/V1

Please retain instructions for future reference.

## SAFETY INSTRUCTIONS

- When using electrical appliances, basic safety precautions should always be followed.
- Check that the voltage indicated on the rating plate corresponds with that of the local network before connecting the appliance to the mains power supply.
- This appliance can be used by children aged from 8 years and above and persons with reduced physical, sensory or mental capabilities and knowledge, if they have been supervised/instructed and understand the hazards involved.
- Children shall not play with the appliance.
- Children should not perform cleaning or user maintenance, unless they are older than 8 and supervised.
- This appliance is not a toy.
- If the power supply cord, plug or any part of the appliance is malfunctioning or if it has been dropped or damaged, cease using the product immediately to avoid potential injury.
- This appliance contains no user serviceable parts, only a qualified electrician should carry out repairs. Improper repairs may place the user at risk of harm.
- Keep the appliance and its power supply cord out of the reach of children.
- Keep the appliance out of the reach of children when it is switched on or cooling down.
- Keep the appliance and its power supply cord away from heat or sharp edges that could cause damage.
- Keep the power supply cord away from any parts of the appliance that may become hot during use.
- Keep the appliance away from other heat emitting appliances.
- Do not allow the power supply cord to hang over worktops, touch hot surfaces or become twisted.
- Do not immerse the electrical components of this appliance in water or any other liquid.
- Do not operate the appliance with wet hands or if any connections are wet.
- If this appliance falls or accidentally becomes immersed in water, unplug it from the wall outlet immediately. Do not reach into the water.
- Do not leave the appliance unattended whilst connected to the mains power supply.
- Do not remove the appliance from the mains power supply by pulling the cord; switch it off and remove the plug by hand.
- Do not pull or carry the appliance by its power supply cord.
- Do not use the appliance for anything other than its intended use.
- Do not use any accessories other than those supplied.
- Do not use any damaged accessories.
- Do not use this appliance outdoors.
- Do not store the appliance in direct sunlight or in high humidity conditions.
- Do not move the appliance whilst it is in use.
- Do not touch any moving parts on this appliance during use, as this could cause injury.

- Do not touch any sections of the appliance that may become hot during use, as this could cause injury.
- Always unplug the appliance after use and ensure it has cooled fully before any cleaning, user maintenance or storing away.
- Always use the appliance on a stable, heat-resistant surface, at a height that is comfortable for the user.
- Use of an extension cord with the appliance is not recommended.
- This appliance should not be operated by means of an external timer or separate remote control system.
- This appliance is intended for domestic use only. It should not be used for commercial purposes.



**CAUTION:** Keep hands, fingers, hair and any loose clothing away from the rotating tools of the appliance.



**WARNING:** Do not touch sharp blades.

## Dos and don'ts

### DO:

Be careful if hot liquid is poured into the food chopper, as it can be ejected out of the food chopper due to sudden steaming. Switch off the food chopper and disconnect it from the mains power supply before changing or fitting attachments.

### DON'T:

Dry blend ingredients; always add a small amount of liquid. Use attachments or cutting/rotating blades if they are loose, damaged or broken. Operate the food chopper without food, as this can cause damage.

## Care and maintenance

Before attempting any cleaning or maintenance, switch off and unplug the food chopper from the mains power supply and allow it to cool fully.

**STEP 1:** Wipe the food chopper main unit with a soft, damp cloth and allow to dry thoroughly.

**STEP 2:** Wash all of the accessories in warm, soapy water, then rinse and dry thoroughly.

Never touch the blades; using extreme caution, clean the blades with a brush and dry carefully.

Do not use harsh or abrasive detergents or scourers to clean the food chopper, as this could cause damage.

The food chopper is not safe for dishwasher use.



**NOTE:** The food chopper should be cleaned after each use.



**WARNING:** Handle the chopping attachment with care, as the blades are sharp. Exercise caution when attaching, removing, cleaning or storing any attachments.

## Instructions for use

### Before first use

Before connecting to the mains power supply, clean the food chopper following the instructions in the section entitled '**Care and maintenance**'.



**NOTE:** When using the food chopper for the first time, a slight odour may be emitted. This is normal and will soon subside. Allow for sufficient ventilation around the food chopper.

### Using the food chopper

All attachments must be securely fitted before use; do not attempt to remove them until the blades have stopped moving.

**STEP 1:** Place the chopping bowl onto the non-slip mat and ensure it is securely fitted.

**STEP 2:** Align the main blade attachment onto the pin at the base of the chopping bowl and press into place until secure. It is advised to place the additional blade attachment onto the main blade attachment by pushing down and rotating until it clicks into place.

**STEP 3:** Cut the ingredients to be chopped into small chunks, no more than approx. 2 cm in size and add to the chopping bowl.

**STEP 4:** Align the lid with the tabs on the chopping bowl and press down until it sits flat on the ridge inside the chopping bowl.

**STEP 5:** Align the food chopper main unit with the tabs on the chopping bowl and rotate clockwise until it clicks into place.

**STEP 6:** Plug in and switch on the food chopper at the mains power supply.

**STEP 7:** Holding the chopping bowl steady with one hand, press and hold either the low speed button ( I ) or the high-speed button ( II ) until the food is chopped to the required size. Release the button and wait for the blades to stop rotating. Switch off and unplug the food chopper from the mains power supply before rotating the food chopper main unit in an anticlockwise direction and removing.

**STEP 8:** Additional food may be added to the chopped ingredients by removing the chopping bowl lid, adding the ingredients, replacing the lid and repeating the chopping process.

**STEP 9:** Remove the lid and blade attachments by carefully pulling them upwards.



**NOTE:** The non-slip base can be placed on top of the chopping bowl to act as a storage lid.



**CAUTION:** Switch off and unplug the food chopper from the mains power supply before adding or removing food from the chopping bowl.



**WARNING:** Max. operation time is approx. 30 seconds. Allow to cool for approx. 1 minute before using the food chopper again.