

# IC-1394DV

## Digital Home Video Laboratory

### The Digital Home Video Laboratory package contains:

- ◆ 1 x IC-1394 3 Port IEEE 1394 PCI adapter card
- ◆ 1 x 6p-4p IEEE 1394 Cable
- ◆ 1 x Distribution CD
- ◆ 1 x User Guide

The cable is to connect your camcorder to the IC-1394 card. The distribution CD contains the drivers for the IC-1394 card and camcorder, as well as the MGI VideoWave III editing software. When unpacking, check the items over carefully. If anything is damaged or missing, contact your dealer.

---

## System Requirements

- ◆ 266 MHz Pentium II (or equivalent) and higher, 350 MHz Pentium II (or equivalent) recommended
- ◆ 64 MB of RAM; 128MB recommended
- ◆ 1 available PCI slot
- ◆ 80 MB hard drive space for editing application software
- ◆ 6 GB of free hard drive space for DV and MPEG-2 Editing
- ◆ Video card with 4 MB RAM; minimum 800 x 600 resolution at 16-bit hi-color
- ◆ 16-bit stereo sound card and speakers
- ◆ CD-ROM or DVD-ROM drive
- ◆ PC running Windows 98, or Windows 98 Second Edition, or Windows 2000

## Digital Camcorder Driver Installation

### With the computer booted up, do the following:

1. Determine which version of Windows you are running:
    - A. Right click on the *My Computer* folder
    - B. Under the *General* tab, look under the *System* heading for the version number
      - a. Windows 98 version: 4.10.1998
      - b. Windows 98 SE version:4.10.2222A
  2. Determine whether the IEEE 1394 adapter is well installed: click the following tab: {Start} -> {Settings} -> {Control Panel} -> {System} -> {Device Manager}, you can find:
    - A. Windows 98 version: **1394 Bus Controller -> PCI OHCI Compliant IEEE 1394 Host Controller.**
    - B. Windows 98 SE: **1394 Bus Controller -> Texas Instrument OHCI Compliant IEEE 1394 Host Controller**
  3. If you have got the above message then it means that you have installed the adapter successfully.
  4. Place the distribution CD into your CD-ROM drive
  5. Open *Windows Explorer* and Double click on your CD-ROM drive
    - A. If you are running Windows 98 open the **DVCAM98** folder
    - B. If you are running Windows 98 SE open the **DVCAM98SE** folder
  6. Select one of the above folder depend on your windows version, then run **SETUP.EXE** and follow the on screen prompts to install the DVCAM driver.
  7. Use the cable that was included as part of this package to connect the Firewire port (4 pin) on your camcorder to one of the Firewire ports (6 pin) on the IC-1394 Adapter
  8. Plug the camcorder into an AC source; power it **On** and set it to **VTR** mode
- Note:** Do not power the camcorder from batteries since Windows cannot detect some camcorders when they are running under battery power.

9. To check that the adapter was correctly installed:
    - A. Drill down through the following folders: *My Computer*; *Control Panel*; *System*.
    - B. Select the *Device Manager* tab
      - a. For Windows 98 look under **<Sound, video, and game controllers>**. If the installation completed successfully, you should see an entry for: *1394 Camcorder*
      - b. For Windows 98SE look under **<Imaging Device>**. If the installation completed successfully, you should see an entry for: *Microsoft DV Camera and VCR*
- Note:** If there is an exclamation mark or a red **X** next to the entry, remove the driver with the **Remove** button and repeat the installation.

## Installing the Video Editing Software

1. With Windows booted up, insert the distribution CD into your CD-ROM drive
2. Open the *VideoWave* folder and run **SETUP.EXE**
3. Follow along with the Installation Wizard to complete the software installation

---

## Operation

**To activate the digital camcorder and begin to capture images, do the following:**

1. With Windows booted up and the camcorder attached to the PC's IEEE 1394 port, make sure that camcorder is plugged in to an AC source, then power the camcorder **On**.

**Note:** Do not power the camcorder from batteries since Windows cannot detect some camcorders when they are running under battery power.
2. Click on the **Start** button, then select *Programs, MGI VideoWave III* (inside the blue circle), to launch the video editing program.
3. When the program comes up, Click on the **CAPTURE** icon to activate the digital camcorder and begin capturing images.
4. For information on how to use MGI VideoWave III to edit your captured images, please refer to the *Manual.pdf* file in the *VideoWave DOCS* folder.

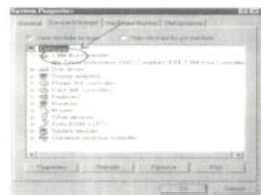
**Note:** Since the amount of time required by some SONY camcorders to be recognized as 1394 compliant devices is longer than what Windows 98 requires, Windows 98 may not be able to detect them. If this problem occurs, do the following:

1. Drill down through the following folders: *My Computer*; *Control Panel*; *System*.
2. Select the *Device Manager* tab
3. Under *1394 Bus Controller* select *Texas Instruments OHCI Compliant IEEE 1394 Host Controller*
4. Click on **Properties**
5. In the dialog box that comes up, select the *Settings* tab
6. Check *Support Non-Compliant Devices*
7. Click on **OK**

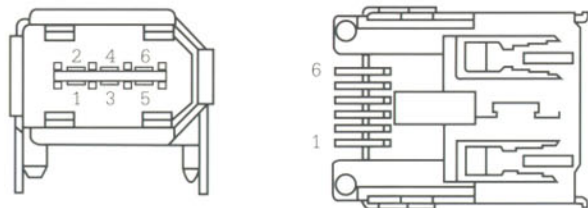
## Checking the Installation:

To check that the adapter driver was correctly installed:

1. Open the **My Computer** folder
2. Open the **Control Panel** folder
3. Open the **System** folder
4. Click on the **Device Manager** tab at the top of the dialog box
5. Click on the plus sign in front of the **1394 Bus Controller** heading to see the listing. If the installation completed successfully, you should see an entry for **Texas Instruments OHCI Compliant IEEE 1394 Host Controller**.



## Connector Pin Assignments



Pin	Signal Description
1.	Bus Power
2.	Gnd
3.	TBP-
4.	TBP+
5.	TPA-
6.	TPA+

## Limited Warranty

IN NO EVENT SHALL THE DIRECT VENDOR'S LIABILITY FOR DIRECT, INDIRECT, SPECIAL, INCIDENTAL, OR CONSEQUENTIAL DAMAGES RESULTING FROM THE USE OF THE PRODUCT, DISK, OR ITS DOCUMENTATION EXCEED THE PRICE PAID FOR THE PRODUCT.

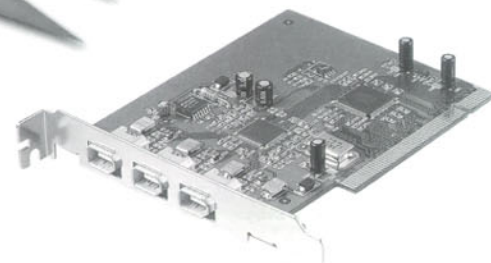
The direct vendor makes no warranty or representation, expressed, implied, or statutory with respect to the contents or use of this documentation, and especially disclaims its quality, performance, merchantability, or fitness for any particular purpose.

The direct vendor also reserves the right to revise or update the device or documentation without obligation to notify any individual or entity of such revisions, or update. For further inquiries, please contact your direct vendor.

## Radio & TV Interference

This equipment has been tested and found to comply with the limits for a Class B digital device, pursuant to Part 15 of the FCC Rules. These limits are designed to provide reasonable protection against harmful interference in a residential installation. This equipment generates, uses and can radiate radio frequency energy and if not installed and used in accordance with the instructions, may cause harmful interference to radio communications. However, there is no guarantee that interference will not occur in a particular installation.

# IEEE-1394 PCI HOST ADAPTER



## USER'S MANUAL

### IC-1394

Read this guide thoroughly and follow the installation and operation procedures carefully to prevent any damage to the hub and/or any of the devices it connects to.

This package contains:

- 1 IC-1394 PCI Host Adapter
- 1 User Manual

If anything is damaged or missing, contact your dealer.

©Copyright 1999 ATEN® International Co., Ltd.  
Manual Part NO. PAPE-1160-100  
Printed in Taiwan 08/1999

All brand names and trademarks are the registered property of their respective owners.

## Overview

Traditional ISA bus technology (serial, parallel), is gradually being phased out; to be replaced by faster, less troublesome, more efficient bus technologies, such as USB and IEEE 1394 (Firewire). Specifications for the next generation of PCs have already established that do not implement the ISA bus at all.

The IC-1394 is an IEEE 1394 to PCI Host Adapter that plugs into the PCI slot of a standard PC; instantly transforming it into an IEEE 1394 enabled machine. The IC-1394 allows you to enjoy the advantage of IEEE 1394 compliant peripherals, such as digital cameras, camcorders, VCRs, and DVDs. It also provides the physical structure for hassle free, inexpensive, plug and play networking.\*

Best of all, the IC-1394 protects your traditional PC investment, since it allows you to take full advantage of this faster, more reliable, bus technology as you make the transition away from ISA at a pace you can afford.

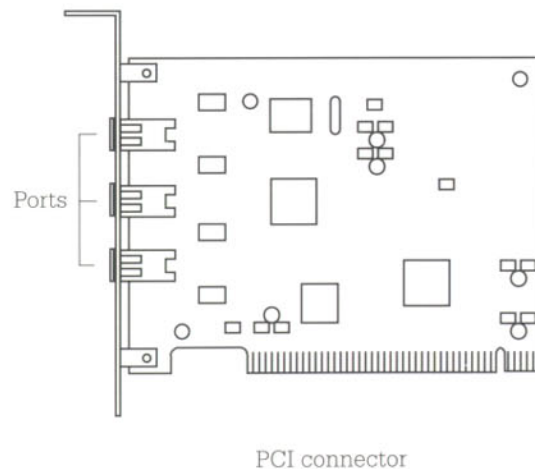
\* Requires the purchase of appropriate networking software.

## Features

- Allows IEEE 1394 Connections to Standard PCI Bus PCs
- IEEE 1394 OHCI Compliant
- PCI Rev. 2.2 Compliant
- 100/400 Mbps Transfer Rates
- Plug and Play - Devices Can be Added or Removed Without Shutting Down
- 3.3V Power Consumption / 5V Input Tolerant
- Supports up to 63 Devices
- Peer to Peer Communication Structure

## System Requirements

- Windows 98
- Windows 2000



## Installation

### Installing the Card in the Computer:

1. Open the computer case according to the instructions that came with its User Manual.
2. Install the IEEE 1394 to PCI Host Adapter into any empty PCI slot in the computer's expansion card area, in the same way you would install an ordinary expansion card. See your computer's User Manual for details, if necessary.

### Windows Installation:

1. Once the IEEE 1394 has been installed in the computer, boot the system up. Windows automatically detects the card's presence, and brings up the Add New Hardware dialog box; click on Next to continue.
2. In the dialog box that comes up, leave the default choice: Search for the best driver for your device.(Recommended); click on Next to continue.
3. In the dialog box that comes up, specify the location of Windows' driver data base (usually the default choice); click on Next to continue.
4. In the What do you want to install? dialog box that comes up, leave the default choice: The updated driver (Recommended)...; click on Next to continue.
5. In the dialog box that comes up, click on Next to continue. Windows proceeds to install the driver.
6. When the dialog box appears to inform you that the driver installation has finished, click on Finish. When Windows reboots, the IC-1394 Host Adapter will be ready for use.