

DTK-DR Series

75kA / Ø – DIN Rail Surge Protective Device



Product Features

- 75,000 Amps/phase surge current rating ensures long service life
- Compact, modular design for easy integration within machine control panels
- Quick replacement of protection module when needed
- DIN Rail mounting configuration
- Remote end of life indicator for surge protection status: NO/NC Form C Dry Contact
- Visual end of life indicator for surge protection status: RED=End of life

Applications

- Industrial Control Equipment
- UL508 Control Panels

Accessories

- Replacement modules available, see chart

DITEK's DTK-DR Series DIN Rail Surge Protectors are designed to protect against the harmful effects of transient surges caused by direct or indirect lightning, power company grid switching and inductive load switching. These high performance SPD's provide point-of-use surge protection for critical operations within commercial and industrial environments.

Technical Specifications

Service Voltage:	See chart
Surge Current Rating:	75,000 Amps
Protection Modes:	See chart
SCCR:	200,000A RMS
Frequency:	50-60Hz

Mechanical Characteristics

Connection Method:	Hardwired: #14-4AWG Solid/Stranded Cu Dry Contact: #30-16AWG
Housing:	IP20, UL94 V0
Mounting:	Din Rail – 35mm
Surge Protection Status:	Green – Normal, Red - Replace
Remote Monitoring:	Form C Dry Contact 250VAC/1A Max, 125VAC/3A Max
Operating Temperature:	-40°F - 185°F (-40°C - 85°C)
Humidity:	5 ~ 95% Relative
Dimensions:	4.19"Lx 0.69"W x 2.81"H (1 pole) (106mm x 18mm x 71mm)

Quality, Standards & Approval

Agency Approvals:	UL1449 4 th Edition Recognized/CE
SPD Type:	Type 1CA, Type 2CA (Canada)
Standards Compliance:	ANSI/UL1449 4 th Edition ANSI/IEEE C62.41.1, C62.41.2, C62.45 RoHS Compliant
Warranty:	Three Year Limited Warranty

Every precaution has been taken to ensure that this literature is accurate and complete. DITEK Corporation assumes no responsibility and disclaims all liability for damages resulting from the use of this information or for any errors or omissions.



DTK-DR Series

75kA / Ø – DIN Rail Surge Protective Device



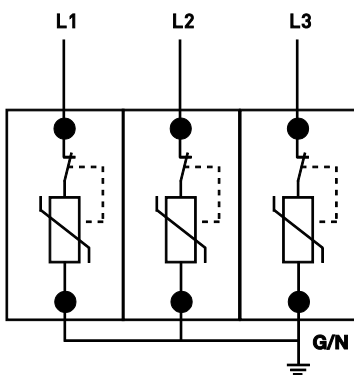
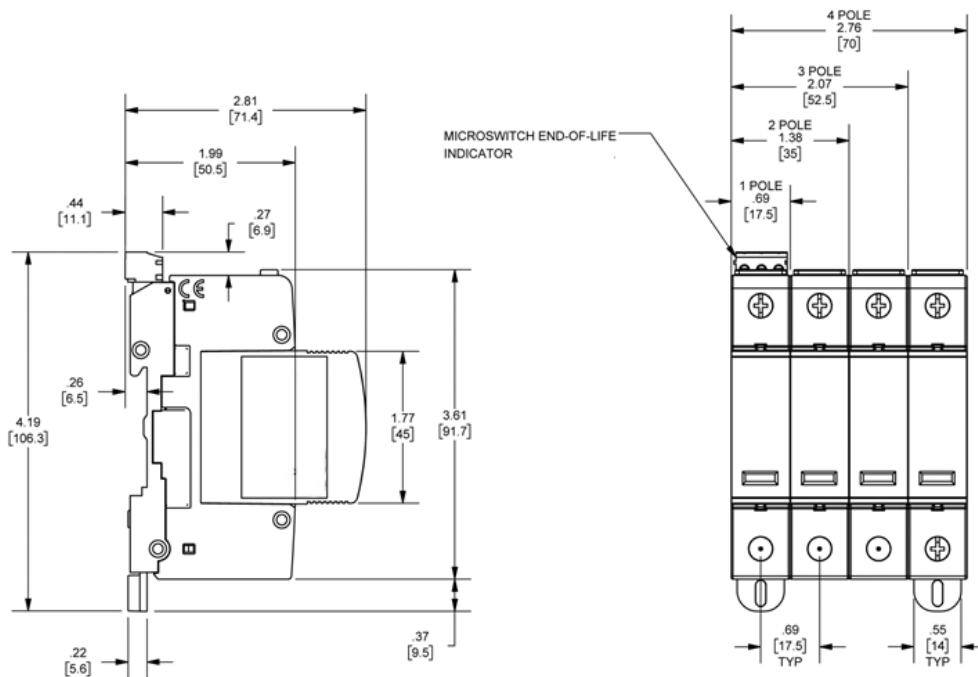
Part Number	Replacement Module	Service Voltage	Service Configuration	MCOV	UL In Rating	Voltage Protection Rating (VPR)			
						L-N	L-G	N-G	L-L
DTK-DR120P1	DTK-DR175M	120VAC	Single Ø (2 Wire)	175V	20kA	600V	-	-	-
DTK-DR240P1	DTK-DR275M	240VAC	Single Ø (2 Wire)	275V	20kA	600V	-	-	-
DTK-DR277P1	DTK-DR320M	277VAC	Single Ø (2 Wire)	320V	20kA	600V	-	-	-
DTK-DR347P1	DTK-DR420M	347VAC	Single Ø (2 Wire)	420V	10kA	800V	-	-	-
DTK-DR240P2	DTK-DR175M	120/240VAC	Split Ø (3 Wire)	175V/ 350V	20kA	600V	-	-	1800V
DTK-DR480P2	DTK-DR275M	240/480VAC	Split Ø (3 Wire)	275V/ 550V	20kA	600V	-	-	1200V
DTK-DR240P3	DTK-DR275M	240VAC	Three Ø Delta (3W + G)	275V/ 550V	20kA	-	900V	-	1800V
DTK-DR480P3	DTK-DR550M	480VAC	Three Ø Delta (3W + G)	550V/ 1100V	10kA	-	1500V	-	3000V
DTK-DR208P4	DTK-DR175M	120/208VAC	Three Ø Wye (4W + G)	175V/ 350V	20kA	600V	-	-	1200V
DTK-DR480P4	DTK-DR320M	277/480VAC	Three Ø Wye (4W + G)	320V/ 640V	20kA	1500V	-	-	2500V
DTK-DR600P4	DTK-DR420M	347/600VAC	Three Ø Wye (4W + G)	420V/ 840V	10kA	1500V	-	-	2500V
DTK-DR690P4	DTK-DR550M	400/690VAC	Three Ø Wye (4W + G)	550V/ 1100V	10kA	1500V	-	-	2500V
DTK-DR208P4N	DTK-DR175M	120/208VAC	Three Ø Wye (4W + G)	175V/ 350V	20kA	600V	1200V	600V	1200V
DTK-DR480P4N	DTK-DR175M DTK-DR320M	277/480VAC	Three Ø Wye (4W + G)	175V/ 640V	20kA	1000V	1500V	600V	2000V
DTK-DR600P4N	DTK-DR275M DTK-DR420M	347/600VAC	Three Ø Wye (4W + G)	275V/ 840V	10kA	1500V	2000V	800V	2500V
DTK-DR690P4N	DTK-DR320M DTK-DR550M	400/690VAC	Three Ø Wye (4W + G)	320V/ 1100V	10kA	1500V	2000V	800V	2500V

DTK-DR Series

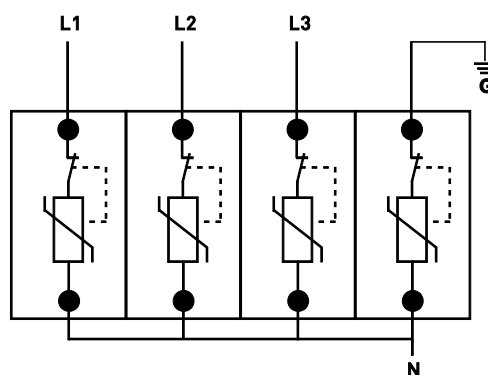
75kA / Ø – DIN Rail Surge Protective Device



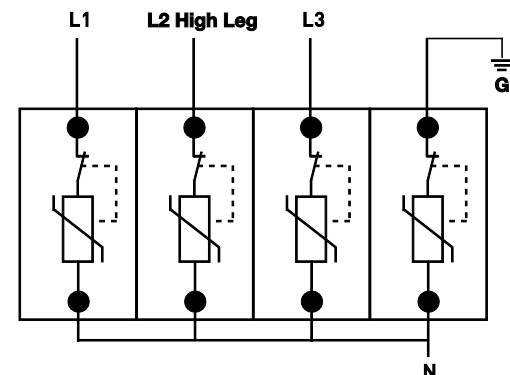
Part Number	Replacement Module	Service Voltage	Service Configuration	MCOV	UL In Rating	Voltage Protection Rating (VPR)			
						L-L/ L-G	L-N/ N-G	H-L/ H-G	H-N
DTK-DR240P4N	DTK-DR175M	120/240VAC	Three Ø Delta HL (4W + G)	175V/ 450V	20kA	1200V	600V	1500V	800V
	DTK-DR275M								
DTK-DR480P4HN	DTK-DR175M	240/480VAC	Three Ø Delta HL (4W + G)	175V/ 825V	10kA	1500V	800V/ 600V	2500V/ 2000V	1500V
	DTK-DR275M								
	DTK-DR550M								



3-Pole, 3-Phase Delta
3-Phase WYE, 4-Wire



4-Pole, 3-Phase WYE
5-Wire



4-Pole, 3-Phase Delta
High Leg, 5-Wire