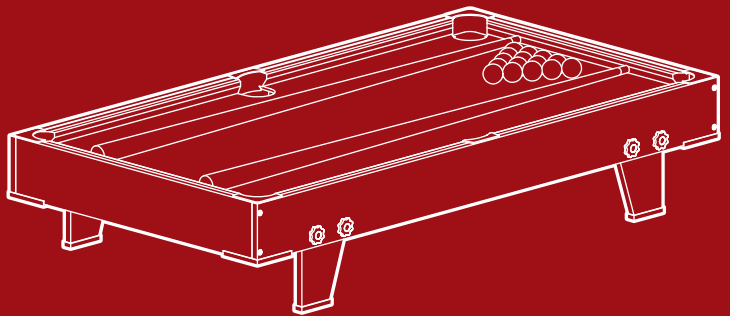




BEST CHOICE
PRODUCTS



INSTRUCTION MANUAL

40-Inch Tabletop Pool Table

⚠️ WARNING

CHOKING HAZARD - Small parts. This toy contains small balls. Not for children under 3 years old.

⚠️ WARNING

ADULT ASSEMBLY REQUIRED

3+

3 YEARS
OLD AND UP

⚠️ NOTICE

Please retain these instructions for future reference.

- Please read all instructions before attempting to install or assemble this item. Assembly should be done by adults only.
- Do not stand on or use any part of this set as a step ladder.
- Firmly secure all bolts, screws, and knobs before use.
- Reconfirm that all bolts, screws, and knobs are secure every 90 days.
- Be aware that some parts are heavy and have sharp edges.
- Assemble this item on a flat, level, and stable surface for an ideal construction.
- This product is intended for residential use only.



1 PERSON
ASSEMBLY

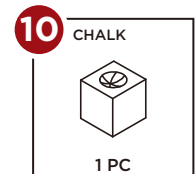
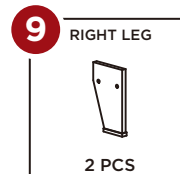
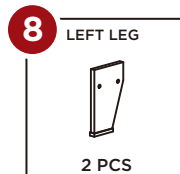
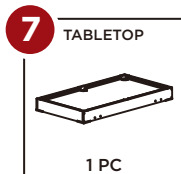
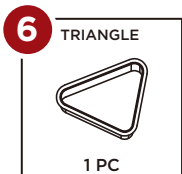
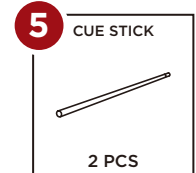
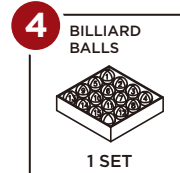
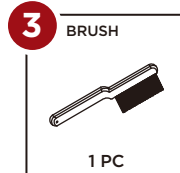
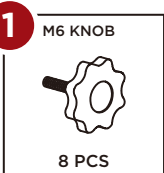


UP TO 10 MIN.
ASSEMBLY

⚠️ WARNING

- This product requires adult assembly and supervision when in use.
- Fasten screws loosely during initial assembly. Do not firmly tighten the screws until the item is completely assembled.
- This product contains small balls. May result in choking hazard for children under 3 years.
- This product contains small parts for assembly. Keep small children and pets away during assembly as this may present a choking hazard.
- Do not throw projectile toys at players eyes or face, and do not throw at animals.
- Do not use or store this item in the proximity of open flame or flammable/combustible chemicals.
- If any parts are missing, broken, damaged, or worn, stop using this item until repairs are made and/or factory replacement parts are installed.
- Do not use this item in a way inconsistent with the manufacturer's instructions as this could void the product warranty.

HARDWARE

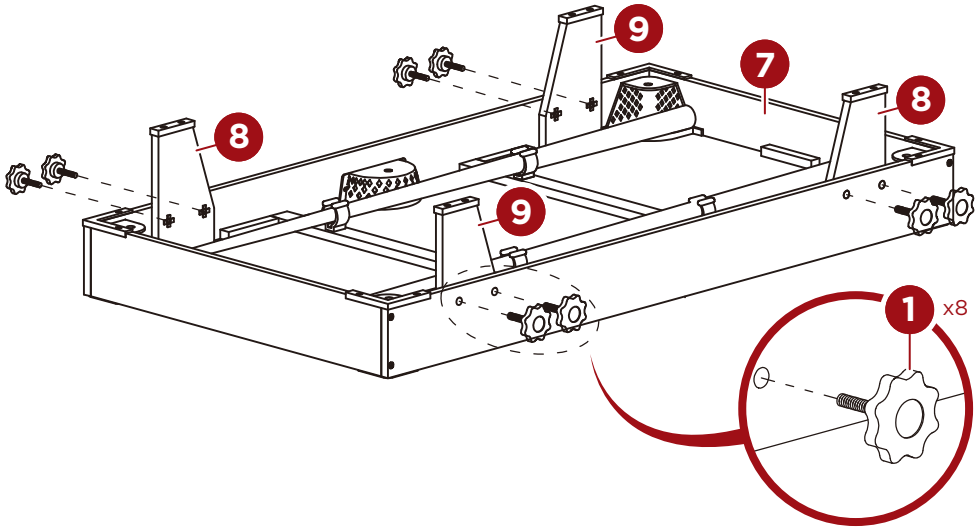


PRODUCT ASSEMBLY

1

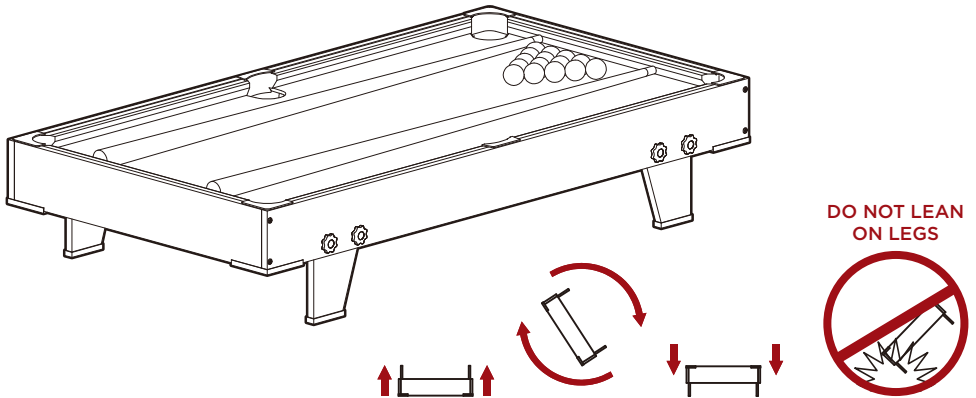
Locate the **part 7 tabletop** and place it face down on a flat, level surface. Attach two **part 8 & 9 left/right legs** with eight **part 1 knobs**.

OPTIONAL: For non-elevated play, skip this step and use the tabletop as delivered. Store the legs in the **part 2 accessory bag**.



2

Lift the table assembly and flip it upright before returning it to your building surface. Do not tip the assembly or lean it on the legs, as this may damage the product.



STORAGE

1. Place the table assembly face down on a flat level surface and remove the **part 8 & 9 left/right legs** by unscrewing the **part 1 knobs**.
Locate the **part 5 cue sticks** and insert them into the holders on the bottom of the **part A7 tabletop**.

2. Use the **part 2 accessory bag** to store the remaining accessories.



HELP CENTER



Question about your product? We're here to help. Visit us at:

help.bestchoiceproducts.com



Chat Support



Product Inquiry



Orders FAQ



Product Assembly



Returns & Refunds

PRODUCT WARRANTY INFORMATION

All items can be returned for any reason within 60 days of the receipt and will receive a full refund as long as the item is returned in its original product packaging and all accessories from its original shipment are included. All returned items will receive a full refund back to the original payment method. All returned items will not be charged a re-stocking fee.

All returned items require an RA (Return Authorization) number, which can only be provided by a Best Choice Products Customer Service Representative when the return request is submitted. Items received without an RA may not be accepted or may increase your return processing time. Once an item has been received by Best Choice Products, refunds or replacements will be processed within 5 business days.

All returns must be shipped back to the Best Choice Products Return Center at the customer's expense. If the reason for return is a result of an error by Best Choice Products then Best Choice Products will provide a pre-paid shipping label via email. Boxes for return shipping will not be provided by Best Choice Products, and is the customer's responsibility to either use the original shipping boxes or purchase new boxes.

Pictures may be required for some returns to ensure an item is not damaged prior to its return. Items returned are not considered undamaged until they are received by Best Choice Products and verified as such. All damages to items are the customer's responsibility until the item has been received by and acknowledged by Best Choice Products as undamaged.

© 2023 Best Choice Products, Inc. All rights reserved. Distributed by Best Choice Products, Inc. Tustin, CA 92780

WARNING

Manufacturer and seller expressly disclaim any and all liability for personal injury, property damage or loss, whether direct, indirect, or incidental, resulting from the incorrect attachment, improper use, inadequate maintenance, unapproved modification, or neglect of this product.