



# Assembly & Installation Instructions

**CAUTION:** Read instructions carefully and turn electricity off at main circuit breaker panel before beginning installation.

## P2318-XX30K9, P2319-XX30K9

\*\*\*\*\*


**WARNING -** If any Special Control Devices are used with this Fixture, Follow the Instructions Carefully to assure full compliance with N.E.C. requirements. If there are any questions, contact a Qualified Electrical Contractor.

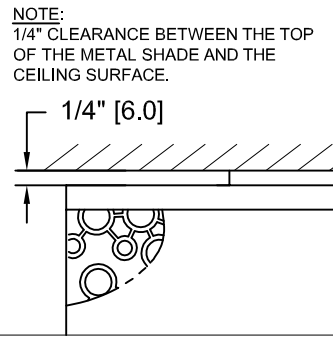
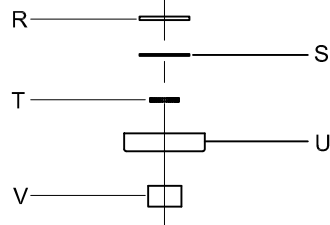
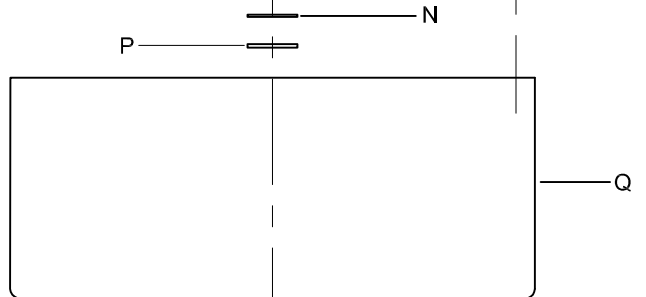
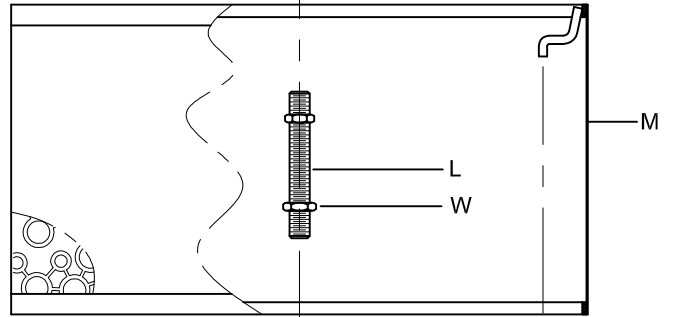
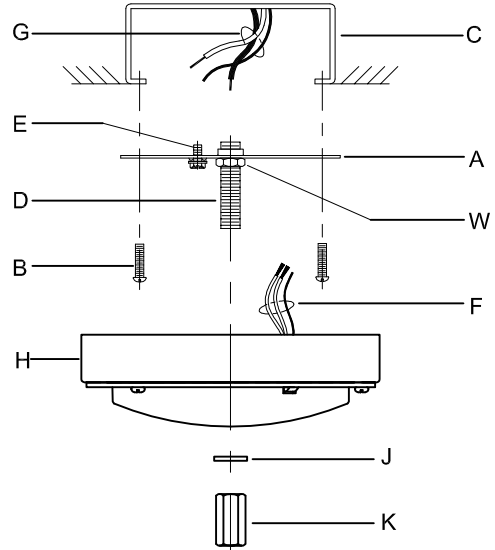
**WARNING -** This product contains chemicals known to the State of California to cause cancer, birth defects and /or other reproductive harm. Thoroughly wash hands after installing, handling, cleaning, or otherwise touching this product.

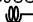

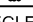
**CAUTION -** All glass is fragile, use care when handling Glass component(s) and or Lamp(s).

\*\*\*\*\*

**ASSEMBLY STEPS:**  
**PASOS PARA ENSAMBLAR:**  
**MODE D'ASSEMBLAGE:**

1. D,E → A
2. W → D
3. B,A → C
4. F → G 
5. H,J,K → D
6. L → K
7. M → Q
8. N,P,Q,R,S,T → L
9. U,V → L



ADJUST HEIGHT WITH "W"  
 → L (TO LOCK)  
 AJUSTA LA ALTURA CON "W"  
 → L (APRETAR)  
 RÉGLEZ LA HAUTEUR AVEC "W"  
 → L (À VERROUILLER)

**G, C & B  
 (NOT FURNISHED)  
 (NO INCLUIDA)  
 (NON FOURNIE)**

