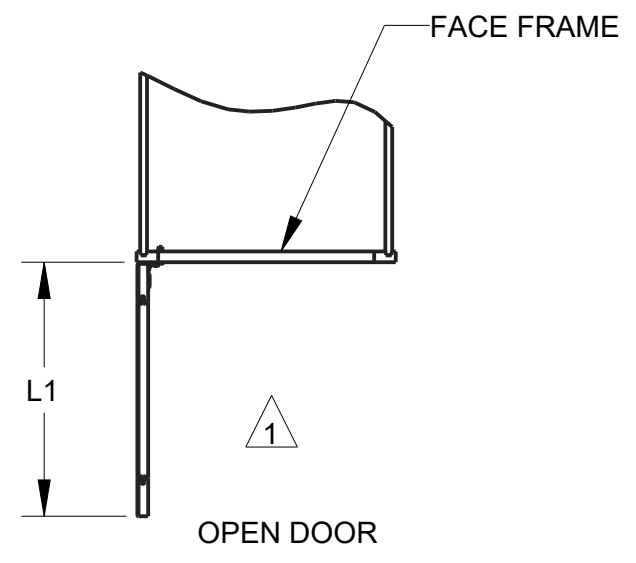
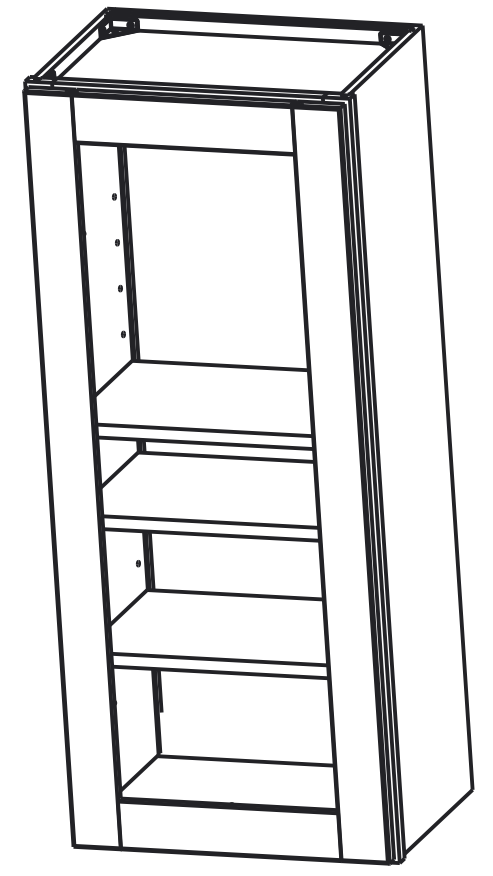
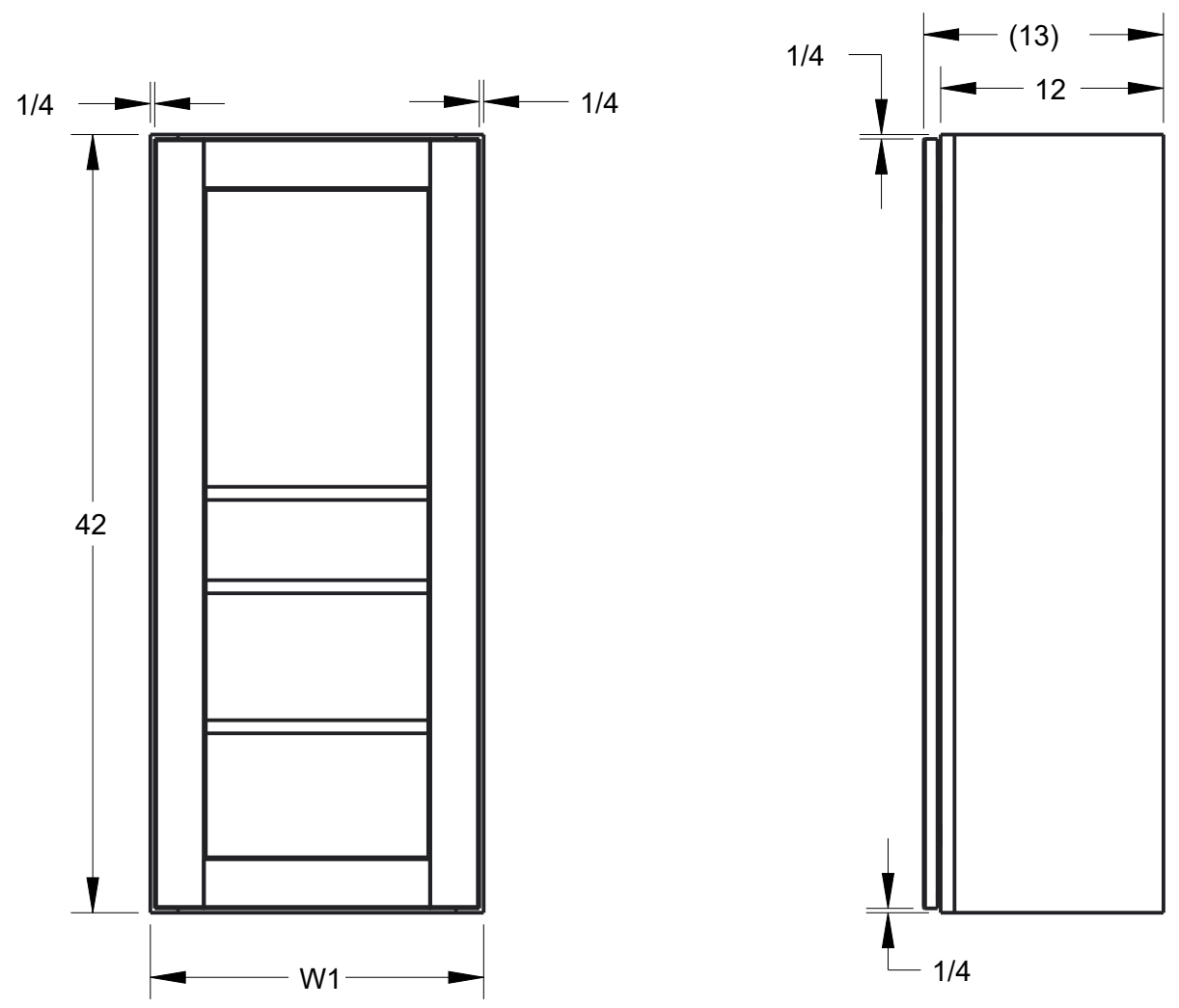


NOTES:

1 OPEN DOOR VIEW INCLUDES HINGE SPACE OFFSET.

PRODUCT	W1	L1	DOOR SIZE
			ROUNDED TO THE NEAREST 1/32
W1542MI	15"	14 11/16"	14 17/32" X 41 17/32"
W1842MI	18"	17 11/16"	17 17/32" X 41 17/32"



PRODUCT SHOWN W1842MI

DOCUMENT STATUS	Released
-----------------	----------

THIRD ANGLE PROJECTION				
MATERIAL	FINISH			
N/A	N/A	DESCRIPTION		
DRAWN BY ANDY BROWN		DATE 25MAR2021		W1542MI, W1842MI FULL OVERLAY
DESIGNED BY NORTHPOINT		DATE		DRAWING NUMBER W1542MI-W1842MI_FULL_OVERLAY
APPROVED BY DENNIS MCGREGOR		DATE 26MAR2021		REV A
		SIZE A3	SCALE 0.100	SHEET 1 / 1

HARDWARE RESOURCES RESERVES THE RIGHT TO CHANGE SPECIFICATIONS WITHOUT NOTICE. IN CASE OF A DISCREPANCY, ACTUAL PART GEOMETRY SUPERSEDES THIS DOCUMENT.

THE INFORMATION CONTAINED WITHIN THIS DRAWING IS THE SOLE PROPERTY OF HARDWARE RESOURCES INC. ANY REPRODUCTION IN PART OR WHOLE WITHOUT WRITTEN PERMISSION OF HARDWARE RESOURCES INC. IS PROHIBITED.