



# SCOT® S-60-H

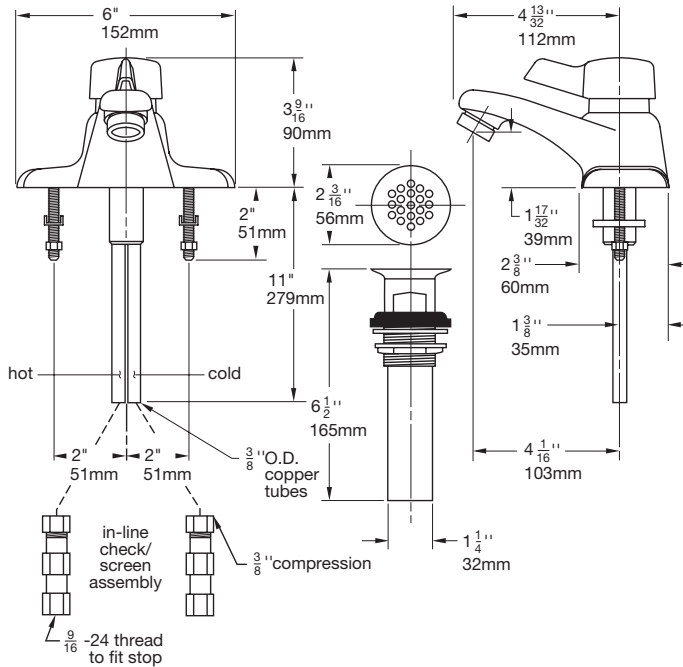
## Slow-Closing Omni Temperature Lavatory Faucet

SCOT metering/temperature selection lavatory faucet with blade type handle for handicap accessible applications (replaces S-60 knob style handle). Cast brass 4" centerset with temperature limit stop to adjust outlet temperature and time limit stop to adjust flow time, includes (2) in-line check/screen assemblies. Spray outlet with 0.5 gpm flow rate. Vandal resistant.

- S-60-H:** Faucet only
- S-60-G-H:** With grid strainer drain assembly
- S-60-1-H:** With lift rod only

**Modifications:** Add suffix to model number

- Suffix 1.25:** Vandal resistant aerator in place of 0.5 gpm spray outlet (1.25 GPM at 50 PSI)
- Suffix 0.35:** Vandal resistant aerator in place of 0.5 gpm spray outlet (0.35 GPM at 50 PSI)
- Suffix NA:** Non-aerated laminar flow outlet
- Suffix IPS:** 1/2" IPS connectors
- Suffix STE:** Supply tube extensions, 8" with compression couplings
- Suffix DP:** Adaptor plate for 8" center installations
- Suffix OFG:** Offset grid strainer



**SYMMONS PRODUCTS MEET ASME A112.18.1; CSA B125.1 ANSI/NSF 372; ANSI/NSF 61.9 Metering Faucets 0.25 gallons per cycle (1.0 L/cycle)**

**Job/Location**

.....

.....

**Engineer**

.....

.....

**Contractor**

.....

.....

For ADA compliance (Americans with Disabilities Act) consult ADAAG or your state regulations for proper product choice and mounting locations.

Symmons Industries, Inc. ■ 31 Brooks Drive ■ Braintree, MA 02184  
 (800) 796-6667 ■ Fax (800) 961-9621  
 Website: www.symmons.com ■ Email: gethelp@symmons.com

