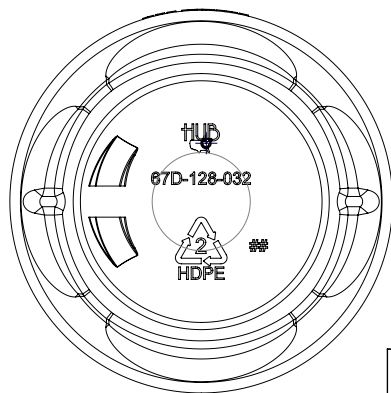


EST. OVERFLOW 131.98oz.



38-400NECK FINISH		
SYM.	MAX.	MIN.
T	1.476	1.452
E	1.382	1.358
H	0.539	0.509
S	0.061	0.031
I	0.000	0.987
L	0.000	0.000

DISCLAIMER

THIS INFORMATION IS PROVIDED AS A GENERAL GUIDE, INCLUDING DIMENSIONS. IT IS THE CUSTOMER'S RESPONSIBILITY TO SELECT THE PROPER CONTAINER FOR PRODUCT AND APPLICATION COMPATIBILITY.

DISTRIBUTED BY:



REF NO.:

DWG31929

DESCRIPTION:

128 oz HDPE Industrial Round, 38-400