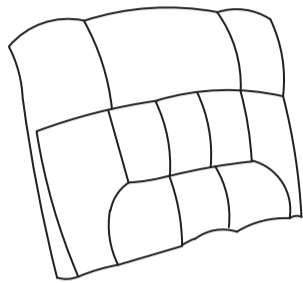
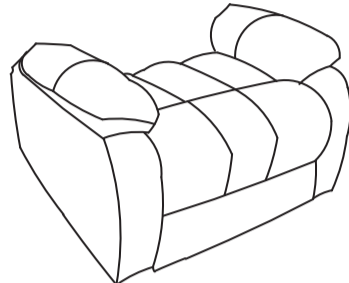


ASSEMBLY INSTRUCTION

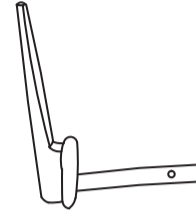
961-1 RECLINER

A BACK REST

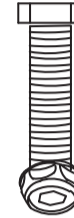
1PC

B SEAT

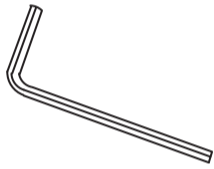
1PC

C HANDLE
(Underneath the seat)

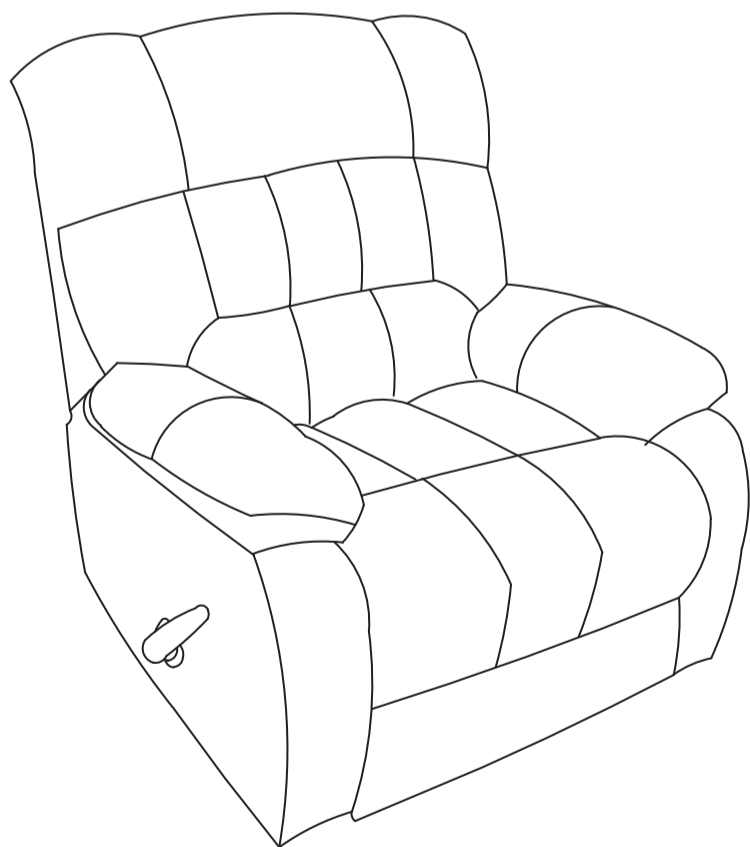
1PC

D BOLT
(Underneath the seat)
L1.26*φ1/5"

1PC

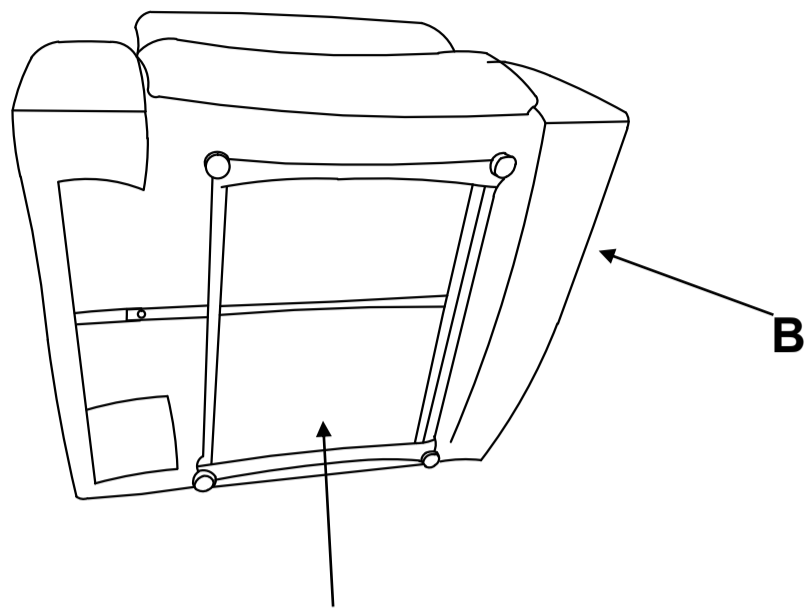
E ALLEN KEY
(Underneath the seat)
3.15"*1.18"*φ1/5"

1PC



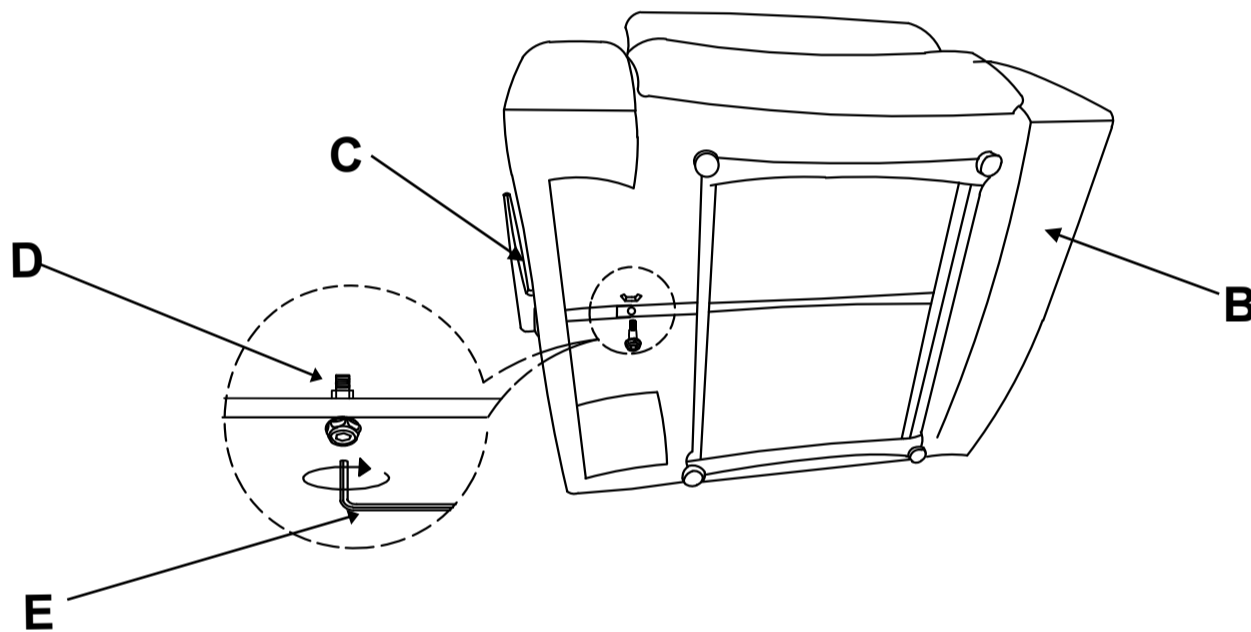
This page lists all the contents included in the box. Please take the time to identify the hardware as well as the individual components to this product. As you unpack and prepare for assembly, place the contents on a carpeted or padded area to protect them from damage.

1 Take out the Handle (C), Bolt (D) and Allen Key (E) from the bottom of the Seat (B).

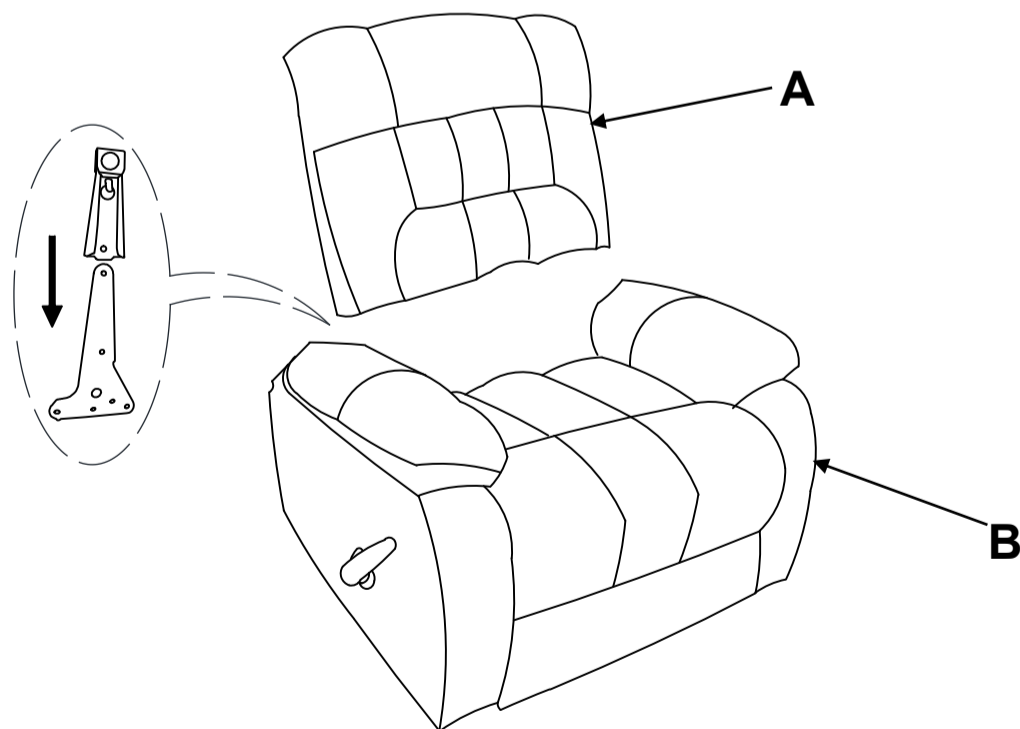


Handle (C), Bolt (D) and Allen Key (E) are inside.

2 Insert the Handle (C) into the hole of the Seat (B), and screw the Bolt (D) with Allen Key (E).



3 Align the female brackets at the Back Rest (A) onto the male brackets at the Seat (B), insert and push to the end, make sure the brackets are secured in position.



Cleaning & Care

Treat surface with care. Surface is resistant to scratches but is not scratch resistant. Clean surface with a dry or damp soft cloth. Do not use abrasive cleaners. Hardware may loosen over time. Periodically check that all connections are tight.