



Works with iPad Air 1, 2 Pro 9.7 5th /6th Gen

SKU Number 72007

Tools Needed

1) #2 Phillips Screwdriver 2) iPort Security Tool (included) 3) Drywall Anchors x 4 (optional)

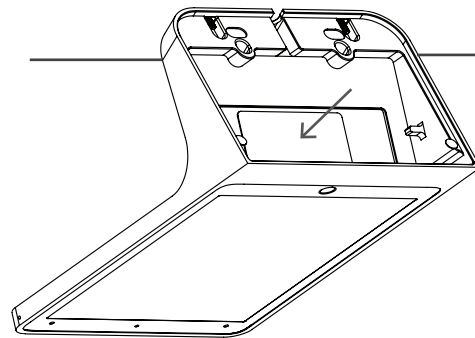
In the Box

1) Table Mount 2) iPort Security Tool 3) Velcro 4) Retention Screws

Installing iPad

STEP 1

Slide iPad face down into Table Mount with the lightning connector toward the base of the Table Mount.



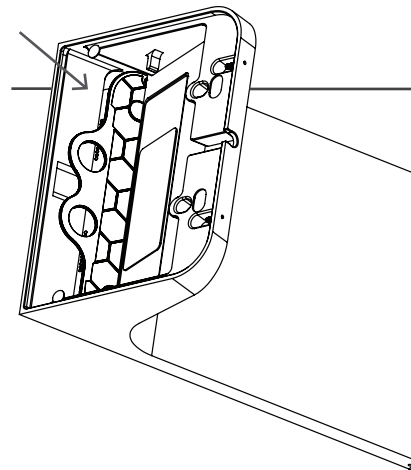
STEP 2

Insert the appropriate iPad Retention Plate behind the iPad and slide in until the plate clicks into place.

***NOTE**
Table Mount ships with two retention plates.

One for iPad Air 1, 5th and 6th Gen.

A second for iPad Air 2 and Pro 9.7.



Installing iPad - Powering Options (Sold Separate)

STEP 3

Table Mount allows for multiple powering options based on the install needs. Below are the three recommended power options and the parts needed.

A. Redpark PoE Adapter

1. Redpark PoE Adapter
2. 90 Lightning Cable to Mini USB-A
3. Cat5/6 cable (provided separately)

C. Apple 12 watt adapter and Extension

1. Apple Lightning to USB Cable
2. Apple 12W USB Power Adapter
3. Apple Power Adapter Extension Cable

B. Apple Lightning Cable

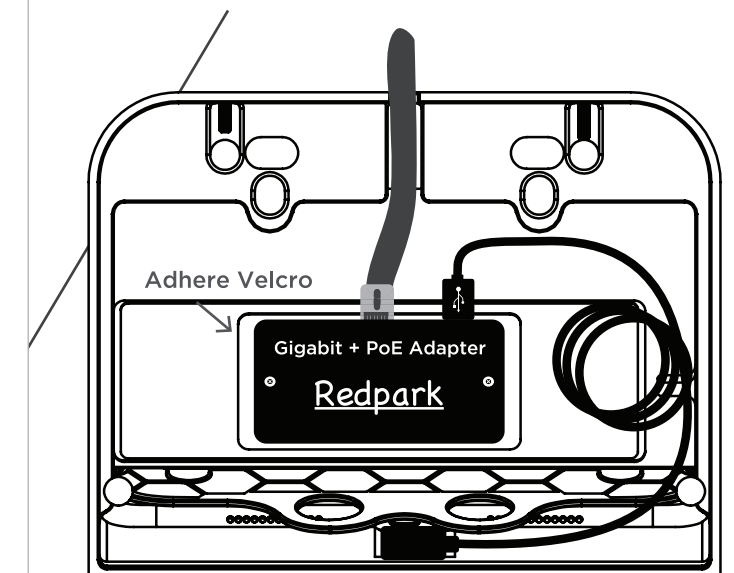
1. Apple Lightning to USB Cable
2. 12W USB Adapter

***NOTE**

Use the provided Velcro to attach the desired power supply to the bottom of the Table Mount.

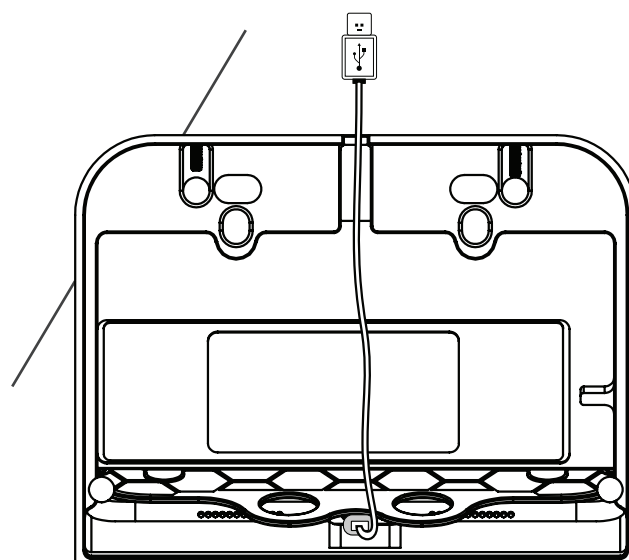
Installing iPad - Powering Options

A. RedPark Wiring Diagram



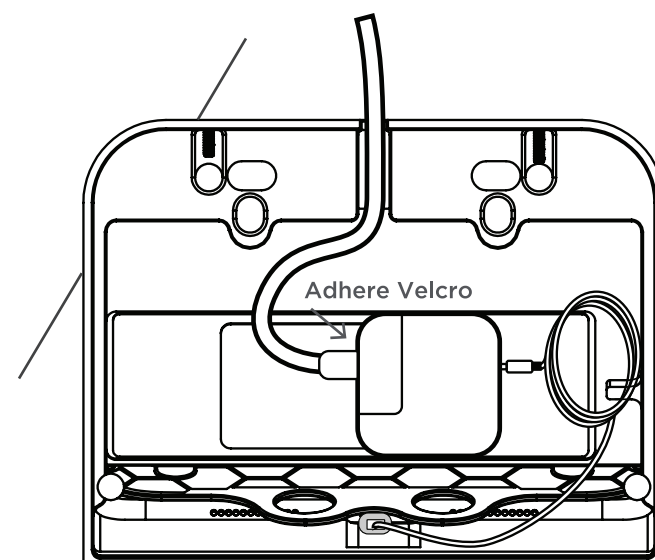
Installing iPad - Powering Options

B. Apple Lightning Cable Wiring Diagram



Installing iPad - Powering Options

C. Apple 12 watt adapter and Extension Wiring Diagram



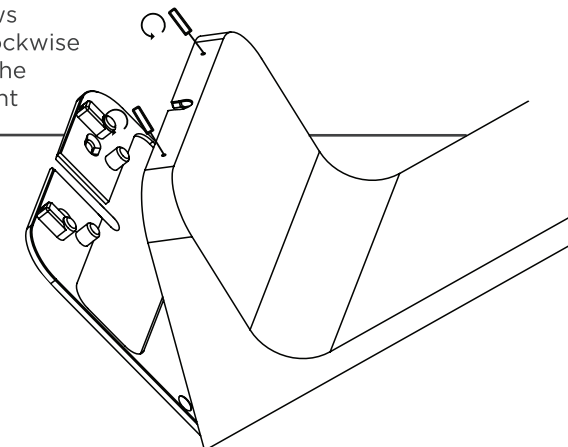
Installing iPad

STEP 4

Insert the Table Mount foot into Table Mount and secure with the iPort Security Tool,

NOTE*

Turn Screws Counterclockwise to secure the Table Mount foot.



Installing iPad

STEP 5

Place Table Mount in desired location and enjoy





Works with iPad Air 1, 2 Pro 9.7 5th /6th Gen

SKU Number 72007

Tools Needed

1) #2 Phillips Screwdriver 2) iPort Security Tool (included) 3) Drywall Anchors x 4 (optional)

In the Box

1) Table Mount 2) iPort Security Tool 3) Velcro 4) Retention Screws

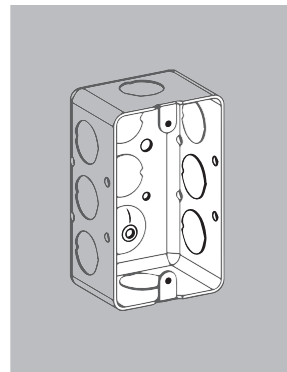
Mounting Table Mount to a Wall

STEP 1

Install 1G box in the desired location of the Table Mount

STEP 2

Run AC Power or Cat5/6 cables depending on power options desired



STEP 3

Remove the Table Mount foot

STEP 4

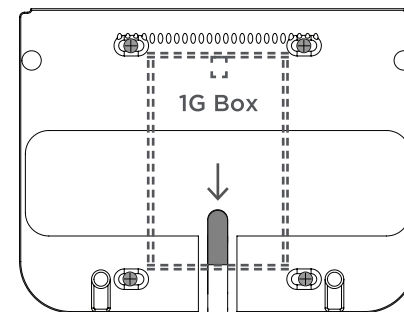
Place the foot in the desired location over the 1G box and mark the four mounting holes shown

STEP 5

Install 4 drywall anchors in the marked location

STEP 6

Attach the foot to the anchors with the cable opening facing toward the ground as shown



STEP 7

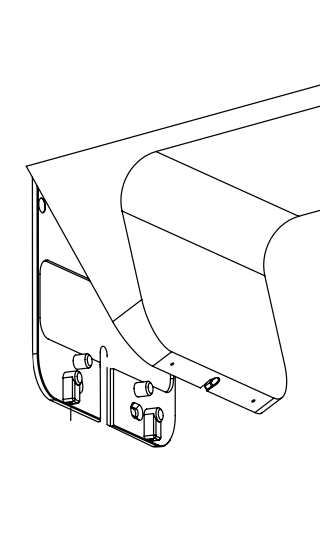
Insert iPad into Table Mount, see Instruction on reverse side

STEP 8

Connect chosen power cable to the iPad

STEP 9

Hook the Table Mount to the foot as shown then seat the Table Mount on the foot

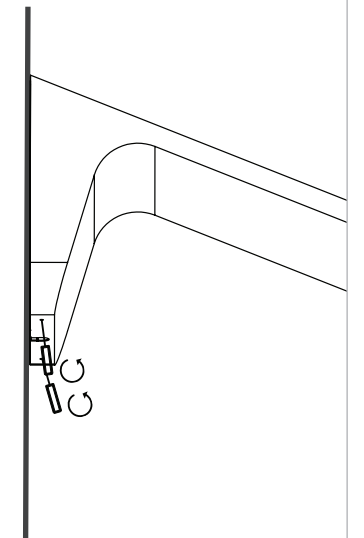


STEP 10

Secure the Table Mount to the foot with the provided iPort Security Tool

*NOTE

Turn screws counter clockwise to secure Tab Mount



Securing Table Mount to a table.

STEP 1

Remove the Table Mount foot from the Table Mount.

STEP 2

Place the foot in the desired location and mark the four mounting holes shown above.

STEP 3

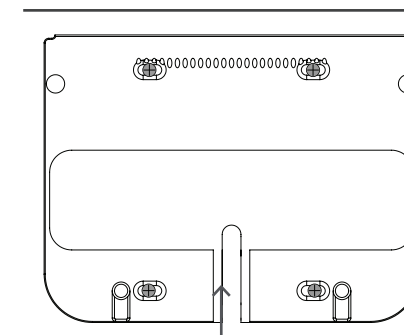
Drill pilot holes in the marked locations.

STEP 4

Return the foot to the drilled location and secure with screws

*NOTE

To run power wire through the table drill a 5th hole in the table at the opening of the foot provided.

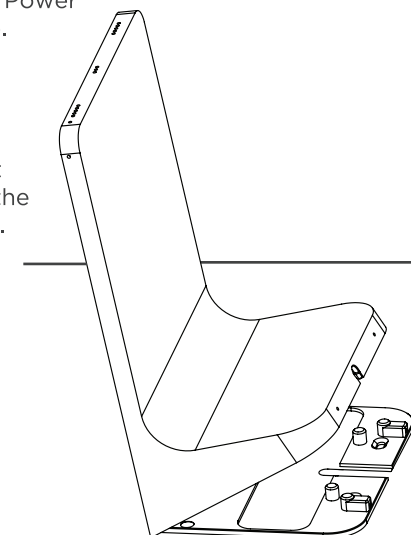


STEP 5

Insert the iPad and Run Power shown in previous page.

STEP 6

Latch the front of the Table Mount to the foot and set down towards the rear of the Table Mount.



STEP 7

Use the iPort Security Tool to lock the Table Mount to the mounting plate.

*NOTE

Turn Screws Counterclockwise to secure the Table Mount foot.

