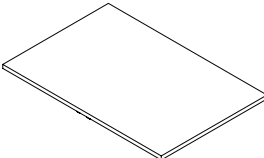
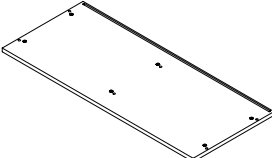
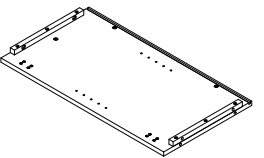
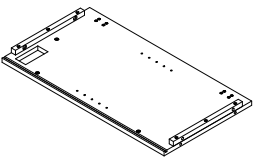
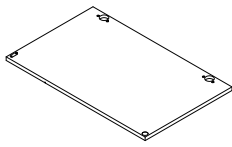
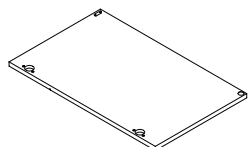
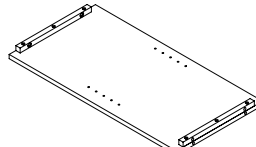
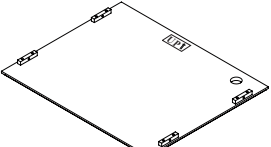
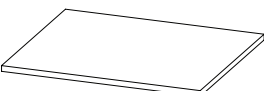
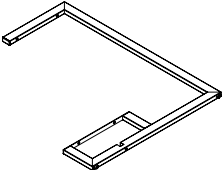
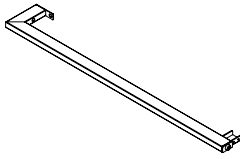
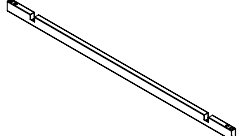
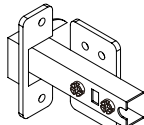
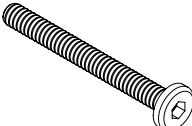
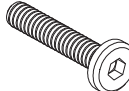

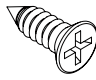
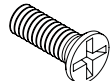

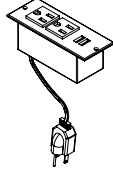
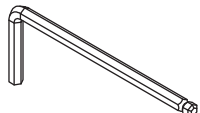
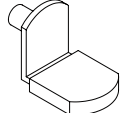



# ASSEMBLY INSTRUCTIONS

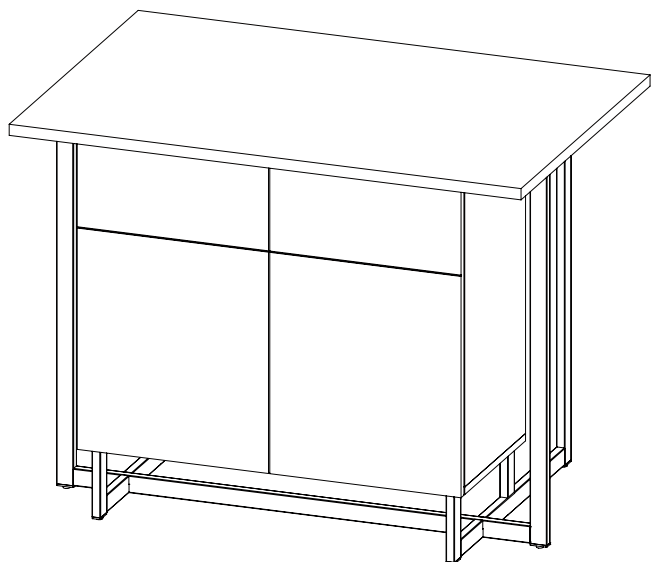
## 2-DOOR KITCHEN ISLAND WITH POWER & USB OUTLET

|   |  |  |   |
|---|--|--|---|
| <b>A</b> Top Panel<br><br>1PC                              | <b>B</b> Bottom Panel<br><br>1PC  | <b>C</b> Left Side Panel<br><br>1PC  | <b>D</b> Right Side Panel<br><br>1PC   |
| <b>E</b> Left Door Panel<br><br>1PC                        | <b>F</b> Right Door Panel<br><br>1PC  | <b>G</b> Divider Panel<br><br>1PC  | <b>H</b> Back Panel<br><br>1PC   |
| <b>I</b> Shelf Panel<br><br>2PCS                          | <b>J</b> Table Base<br><br>2PCS  | <b>K</b> Side Leg Post<br><br>2PCS  | <b>L</b> Cross Bar<br><br>1PC   |
| <b>M</b> Hinge<br><br>4PCS                               | <b>N</b> Bolt<br>$\text{Ø}1/4" \times 2" \times \text{Ø}1/2"$<br><br>6PCS | <b>O</b> Bolt<br>$\text{Ø}1/4" \times 1-1/4" \times \text{Ø}1/2"$<br><br>18PCS | <b>P</b> Bolt<br>$\text{Ø}1/4" \times 1/2" \times \text{Ø}1/2"$<br><br>10PCS |
| <b>Q</b> Screw<br>$\text{Ø}1/7" \times 3/5"$<br><br>2PCS | <b>R</b> Bolt<br>$\text{Ø}1/6" \times 1/2"$<br><br>24PCS                  | <b>S</b> Wood Dowel<br>$\text{Ø}1/3" \times 1-1/6"$<br><br>12PCS                | <b>T</b> USB Port<br><br>1PC   |
| <b>U</b> Allen Key<br>M4<br><br>1PC                      | <b>V</b> Shelf Pin<br><br>8PCS  | <b>W</b> Door Bumper<br><br>2PCS   |   |

# ASSEMBLY INSTRUCTIONS

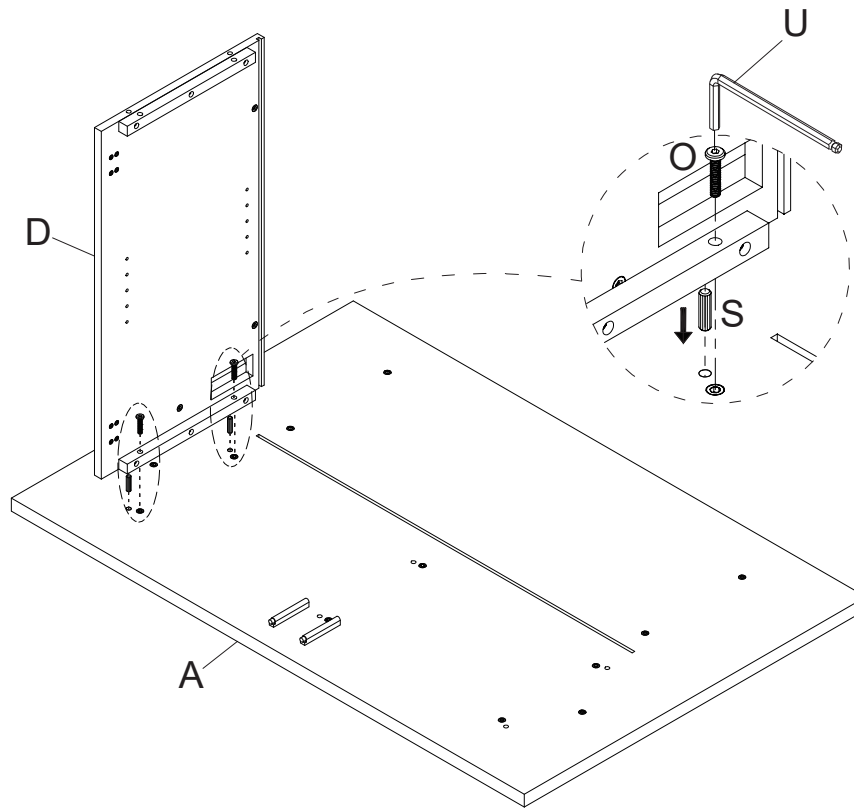
## 2-DOOR KITCHEN ISLAND WITH POWER & USB OUTLET

---

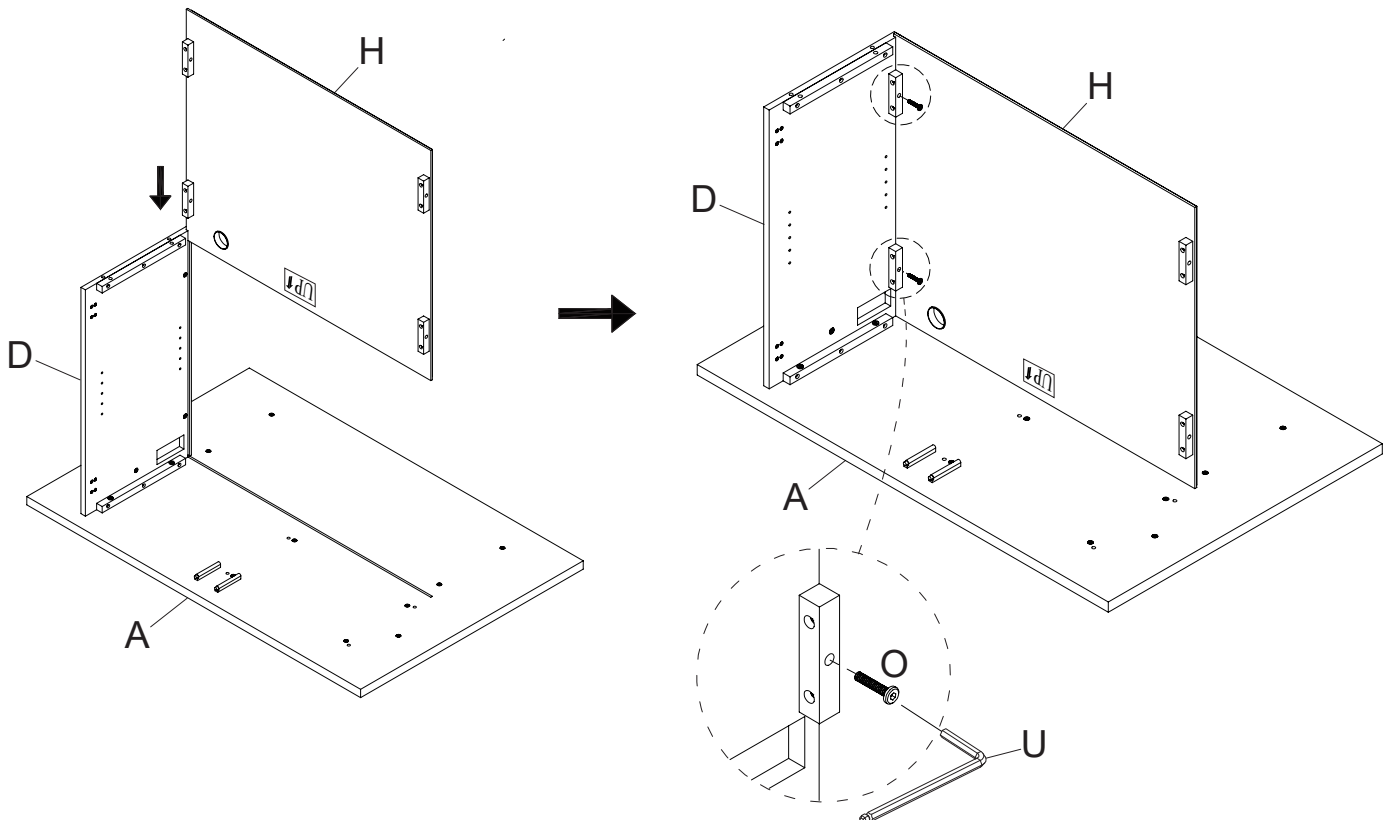


The previous page lists all the contents included in the box. Please take the time to identify the hardware as well as the individual components to this product. As you unpack and prepare for assembly, place the contents on a carpeted or padded area to protect them from damage.

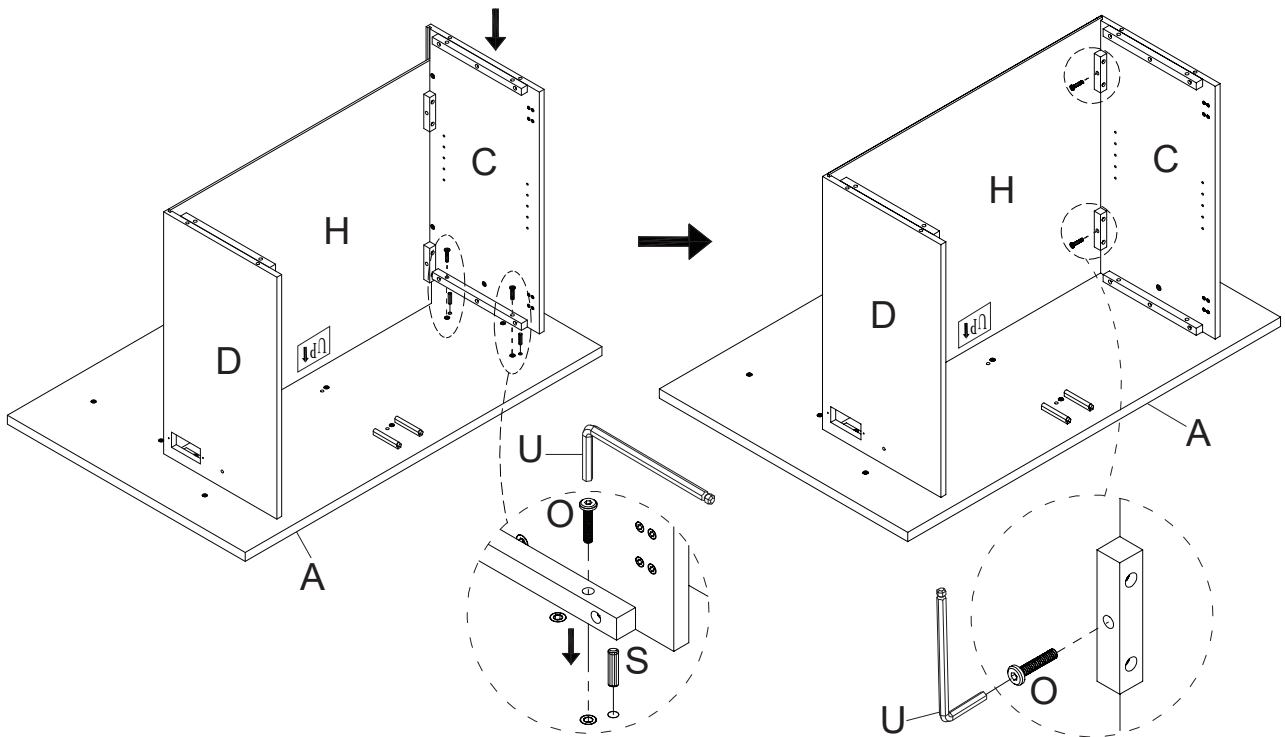
- 1** Attach the Right Side Panel (D) to the Top Panel (A) using Wood Dowel (S) and Bolt (O) with the Allen Key (U).



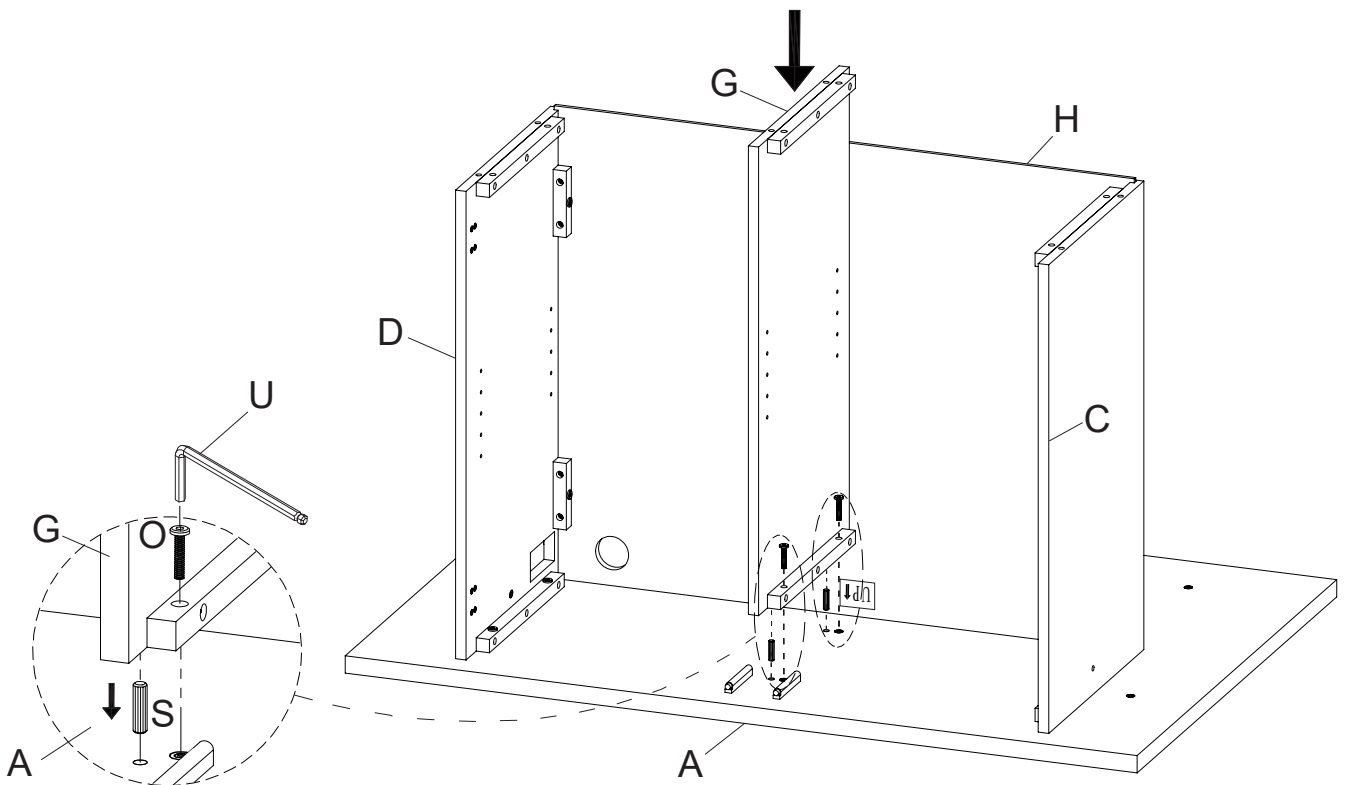
- 2** Slide the Back Panel (H) through the groove on the Right Side Panel (D), then secure these two panels (D & H) using Bolt (O) with the Allen Key (U).



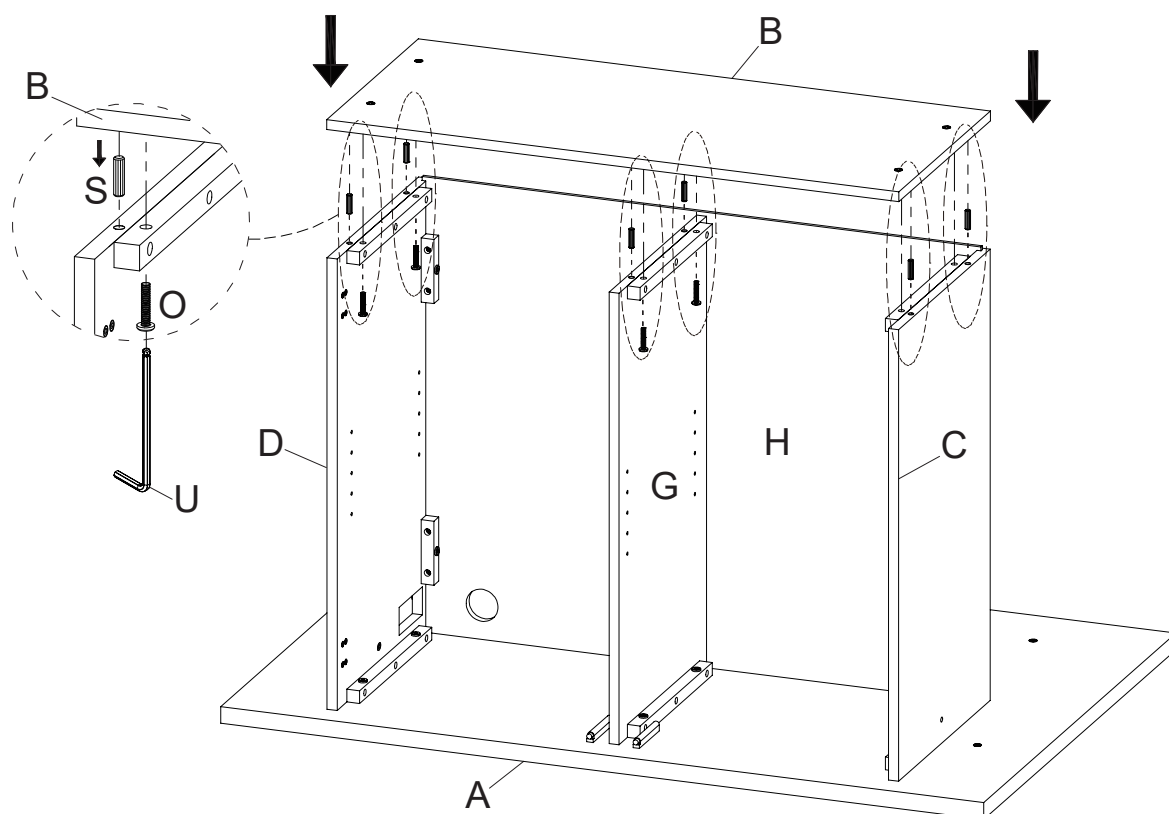
- 3** Slide the Left Side Panel (C) through the Back Panel (H), then secure the Top Panel (A), the Left Side Panel (C) and the Back Panel (H) using Wood Dowel (S) and Bolt (O) with the Allen Key (U).



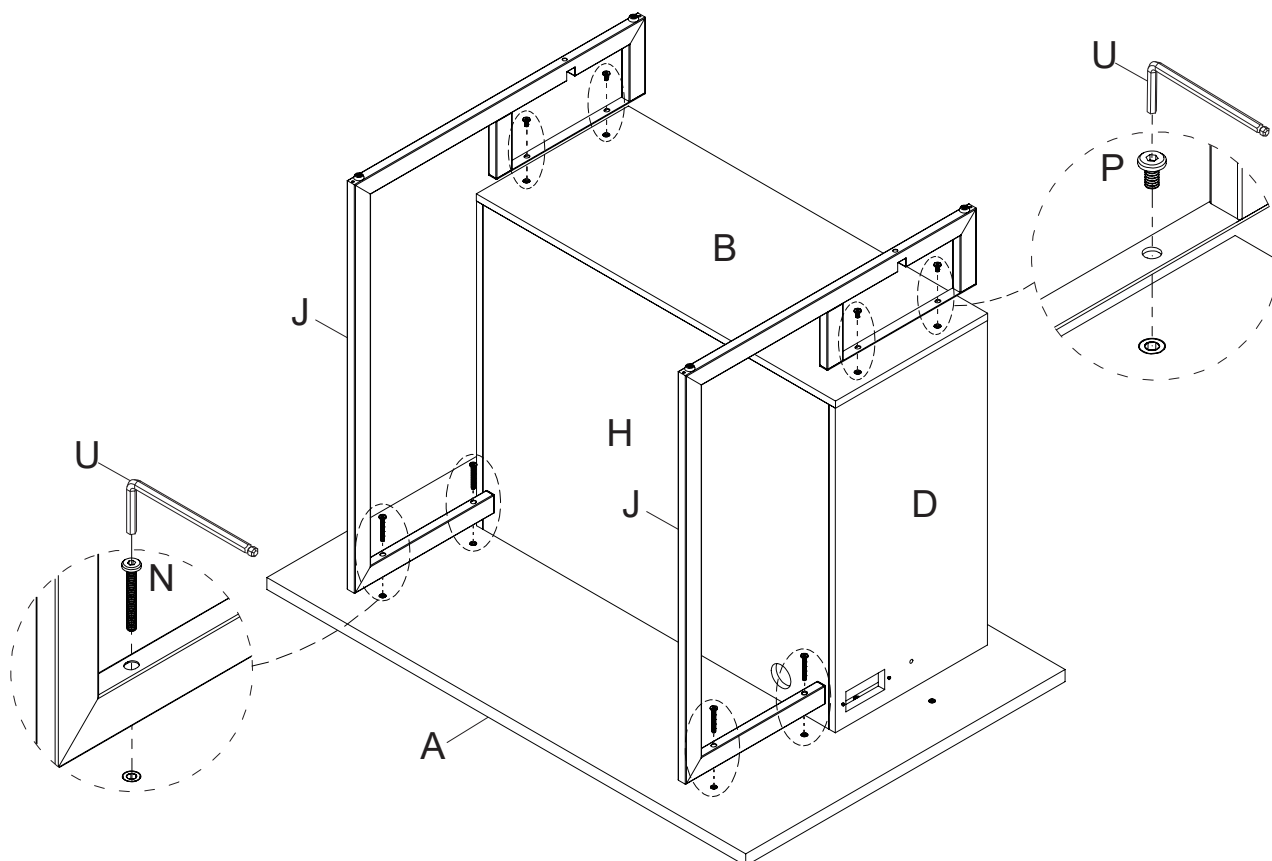
- 4** Attach the Divider Panel (G) to the Top Panel (A) using Wood Dowel (S) and Bolt (O) with the Allen Key (U).



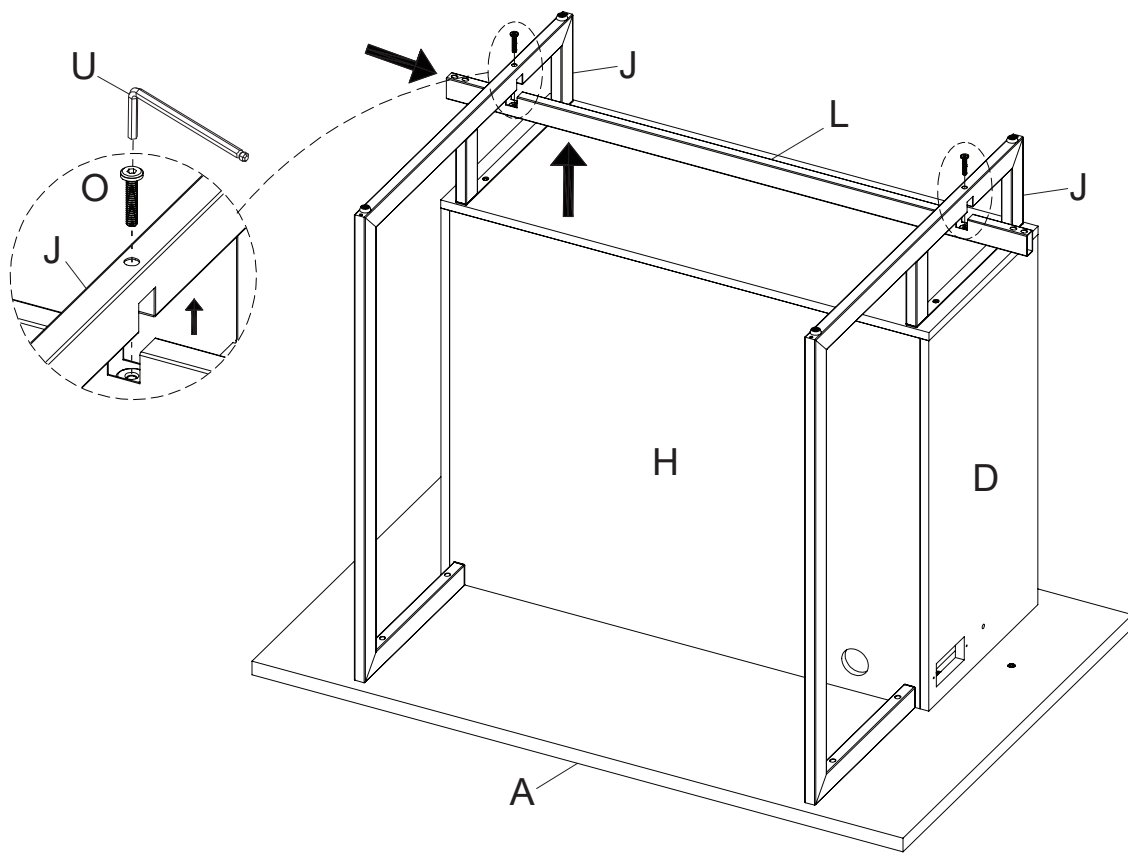
- 5** Attach the Bottom Panel (B) to the Left & Right & Divider Panel (C & D & G) using Wood Dowel (S) and Bolt (O) with the Allen Key (U).



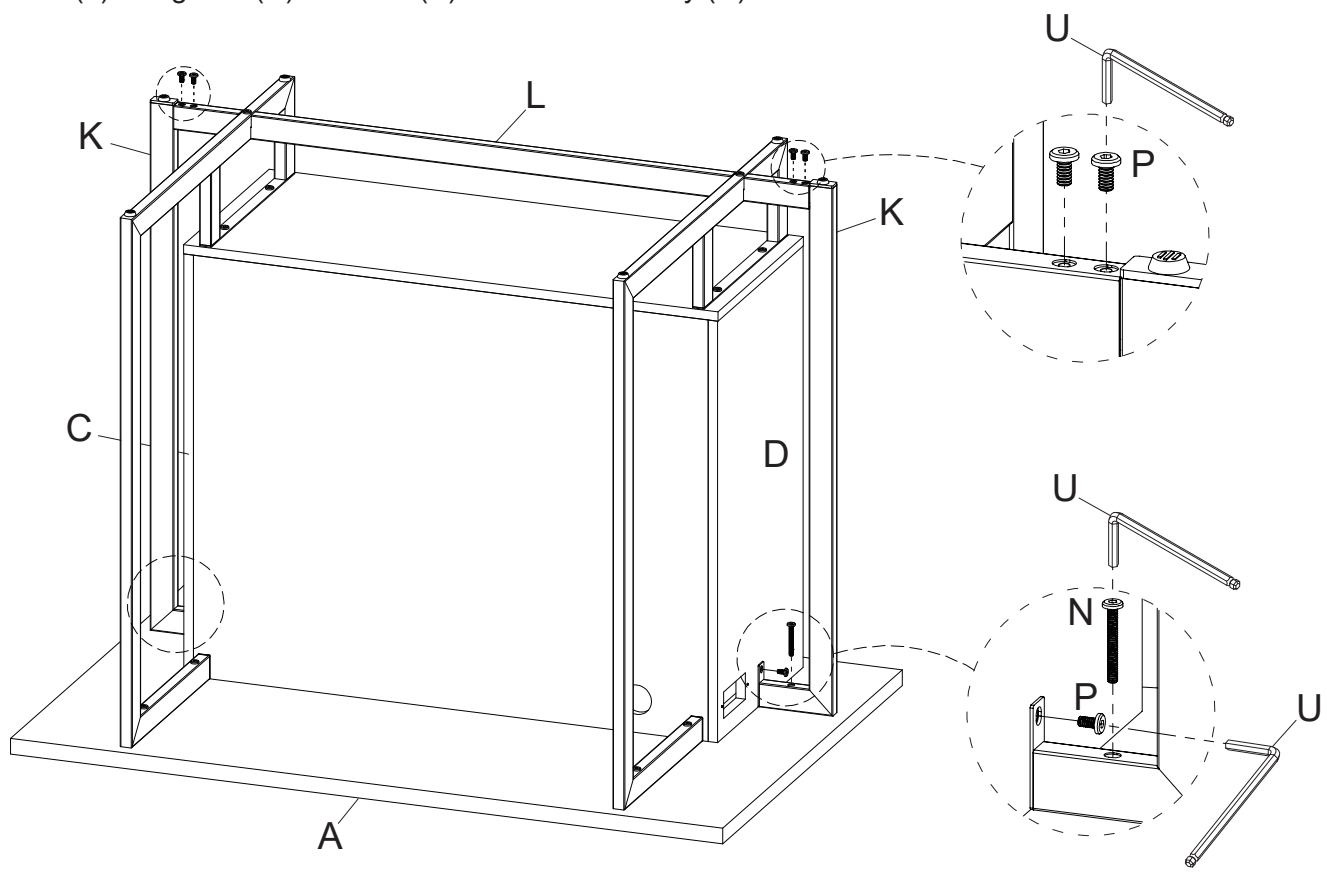
- 6** Turn the assembled unit from the front to the back. Attach the Table Base (J) to the Top & Bottom Panel (A & B) using Bolt (N) and Bolt (P) with the Allen Key (U).



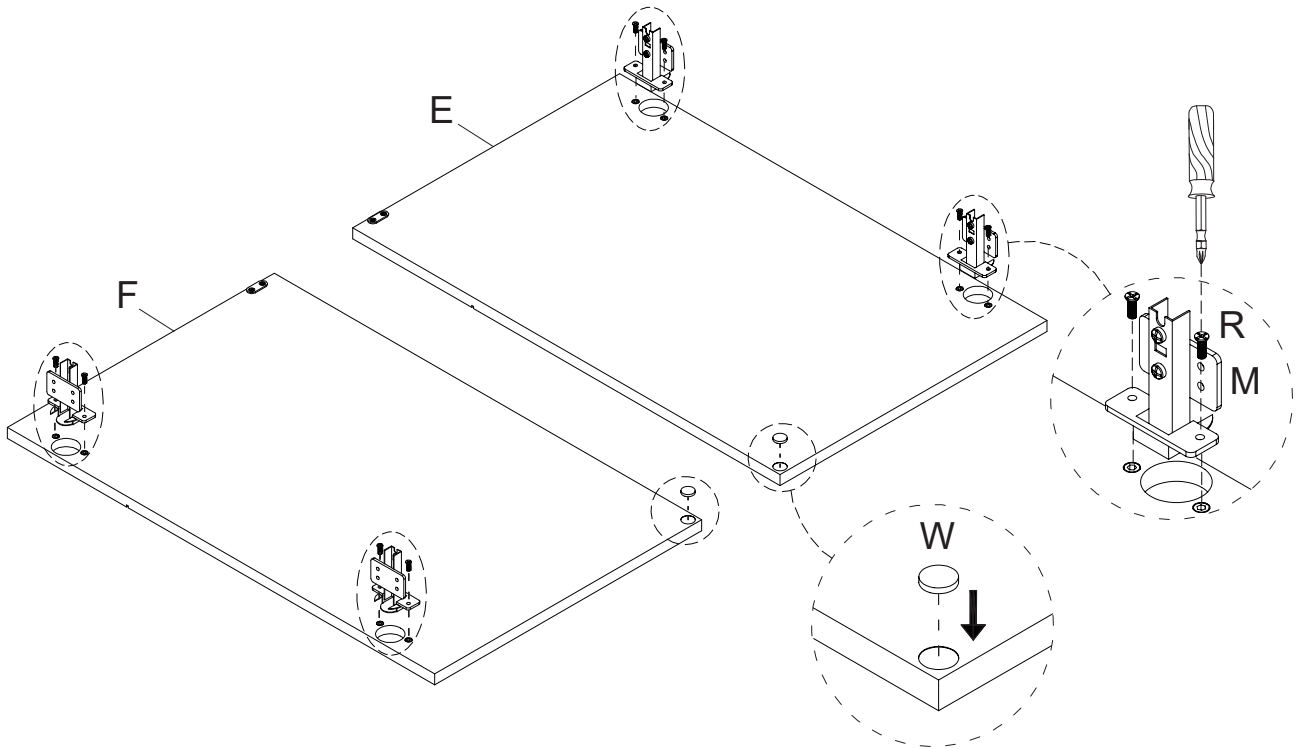
**7** Attach the Cross Bar (L) to the Table Base (J) using Bolt (O) with the Allen Key (U).



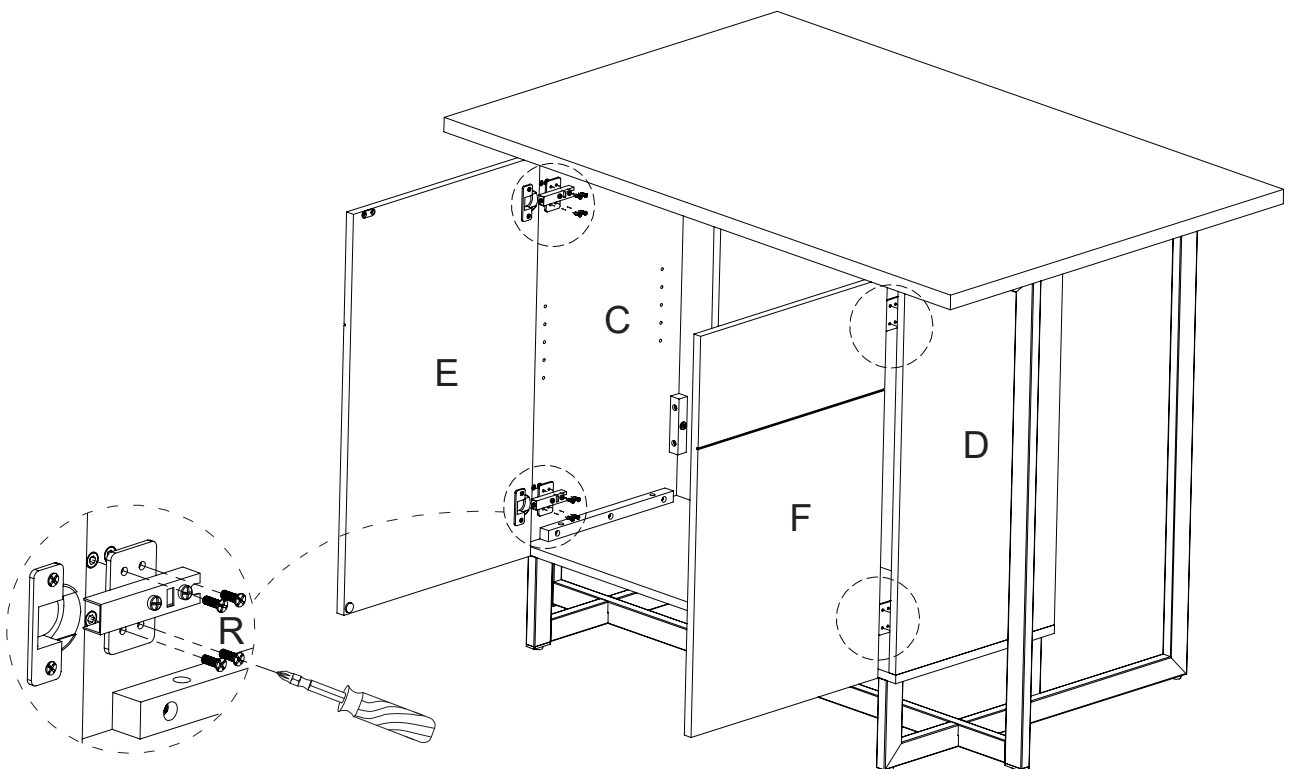
**8** Attach the Side Leg Post (K) to the Top Panel (A), the Left & Right Side Panel (C & D) and the Cross Bar (L) using Bolt (N) and Bolt (P) with the Allen Key (U).



- 9** Attach the Hinge (M) to the Left & Right Door Panel (E & F) using Bolt (R) with a screwdriver (not provided). Stick the Door Bumper (W) onto the Left & Right Door Panel (E & F).



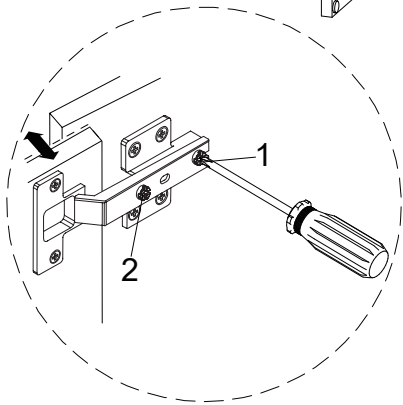
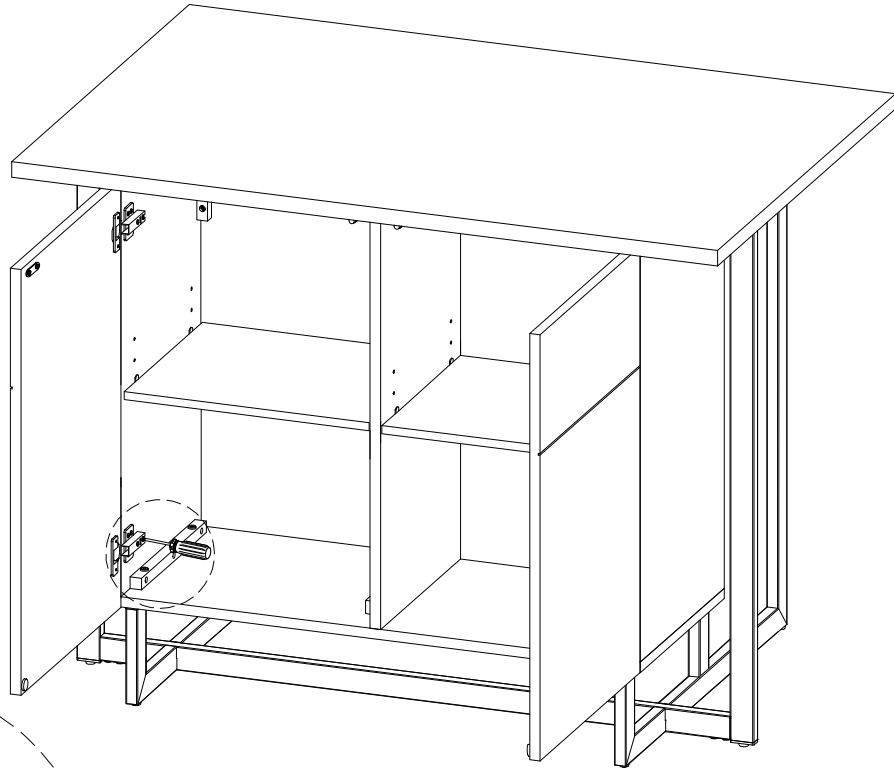
- 10** Attach the Left & Right Door Panel (E & F) to the Left & Right Side Panel (C & D) using Bolt (R) with a screwdriver (not provided).



# 11

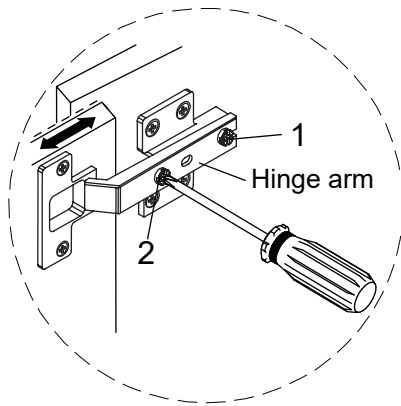
## Hinge Adjustment Guide

The doors on this Kitchen Island can be adjusted in all 3 directions to ensure an even fit. Follow the instructions below for the necessary adjustments.



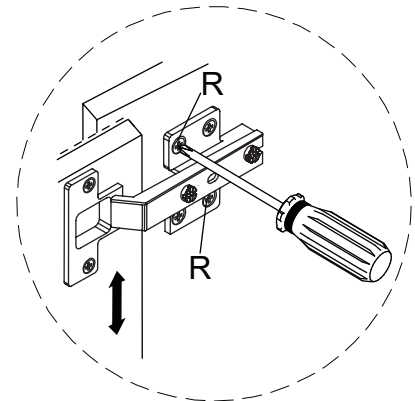
### Side to Side Adjustment:

1. Loosen screw 1.
2. Adjust gap with screw 2.
3. Re-tighten screw 1.



### Depth Adjustment:

1. Loosen screw 1.
2. Slide the hinge arm forwards or backwards.
3. Re-tighten screw 1.
4. Secure screw 2 with a 1/4 turn clockwise.

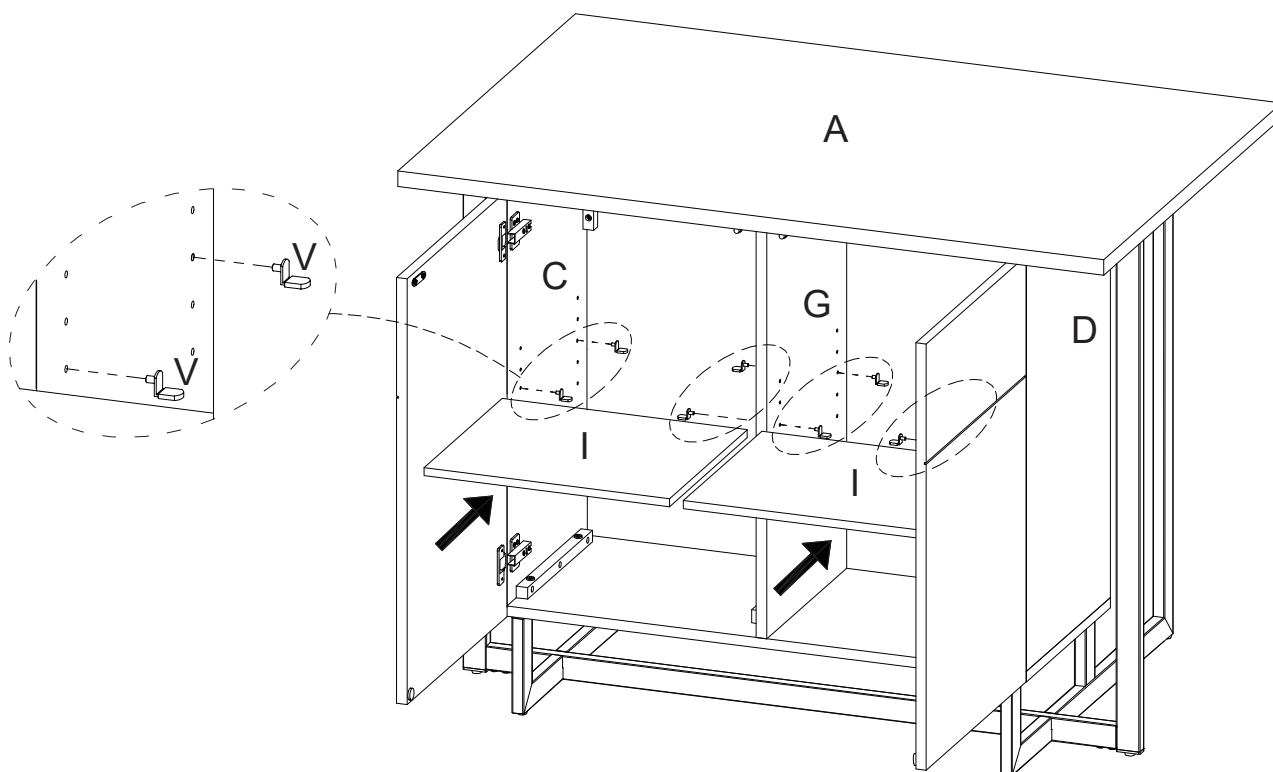


### Height Adjustment:

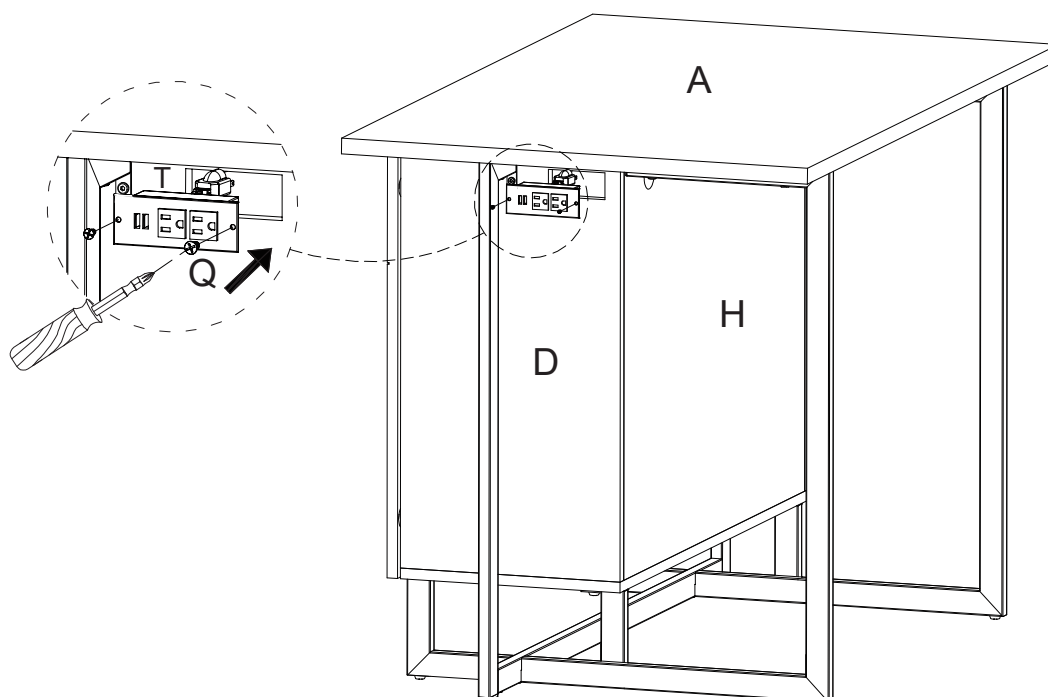
1. Loosen Bolt (R).
2. Adjust door height as needed.
3. Re-tighten Bolt (R).



- 12** Insert the Shelf Pin (V) to the holes of the Left & Right Side Panel (C & D) and the Divider Panel (G). Place the Shelf Panel (I) onto the Shelf Pin (V).



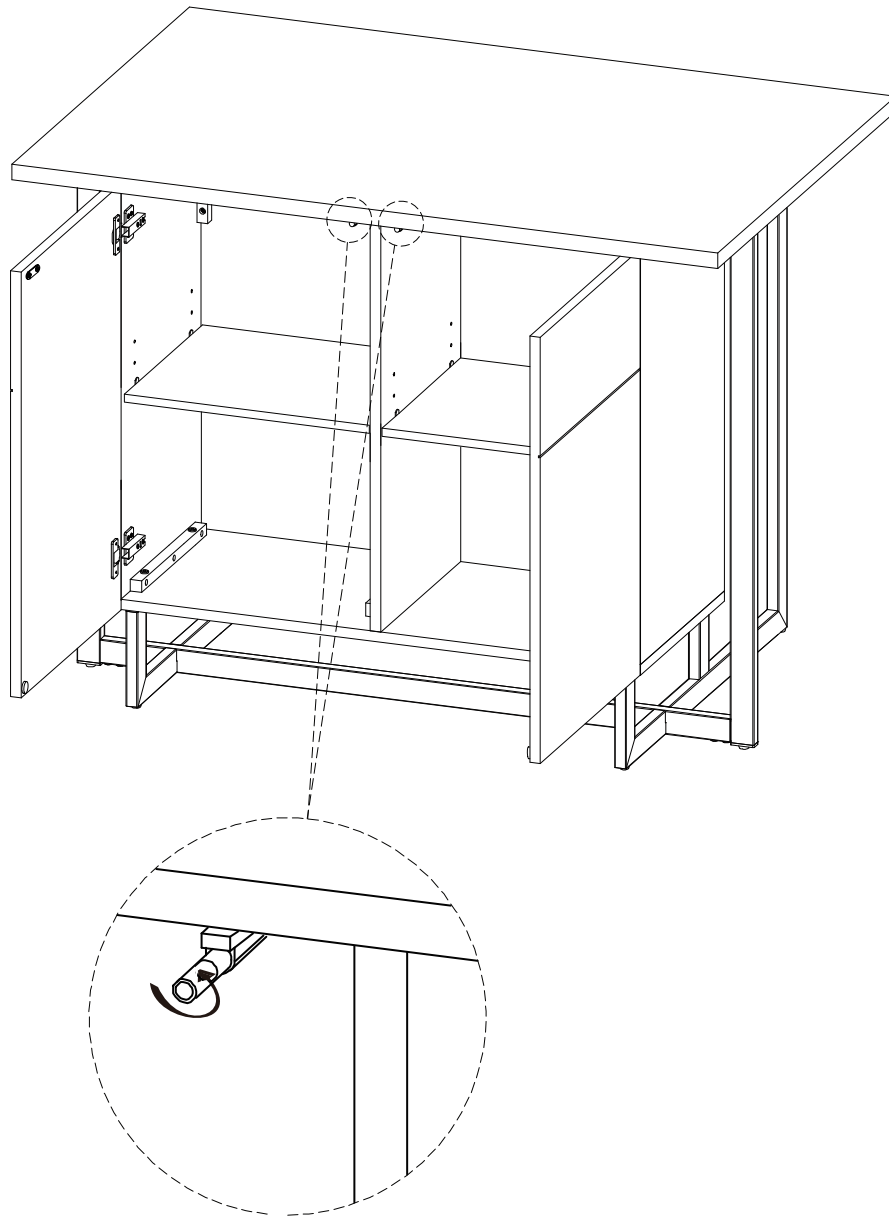
- 13** Attach the USB Port (T) to the Right Side Panel (D) using Screw (Q) with a screwdriver (not provided).



## 14 Push-Latch Adjustment Guide

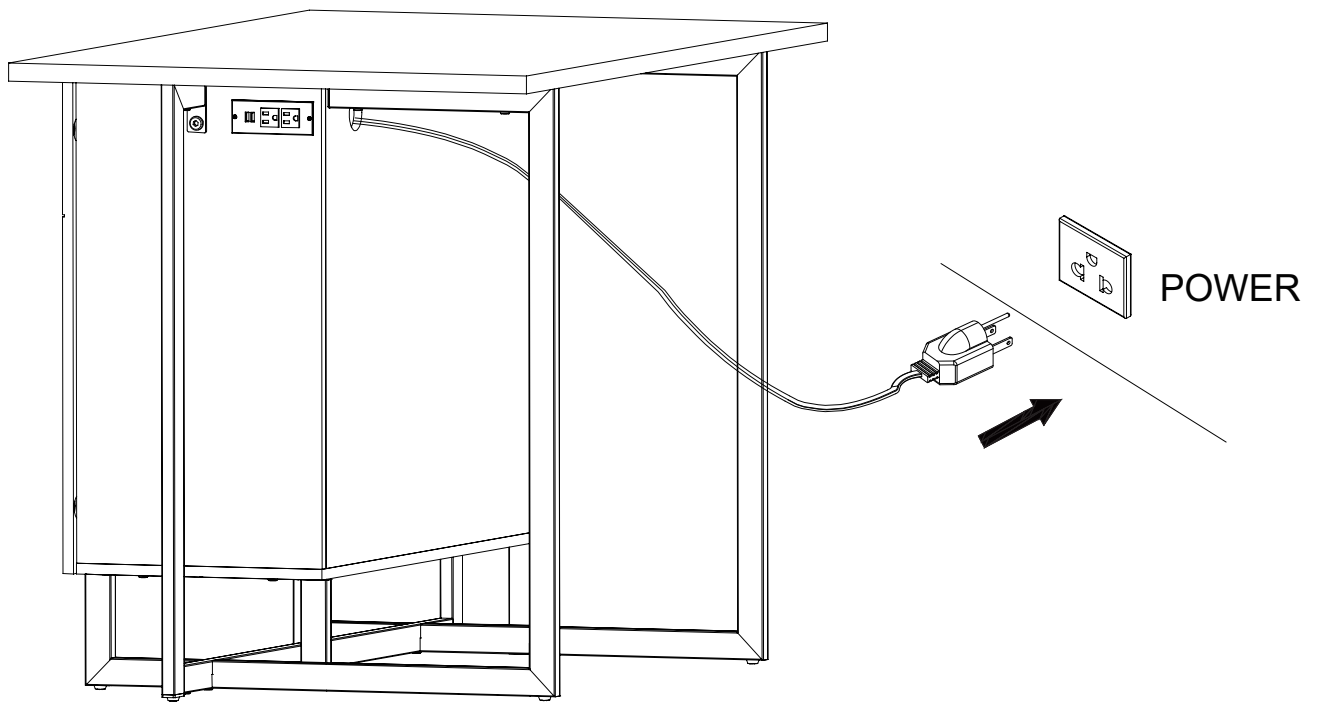
If any doors fail to close properly, follow these steps to adjust the length of the magnetic latch's pin:

1. Turn the pin counterclockwise as shown.
2. The length of the push pin will extend, allowing the lock to engage.
3. You will hear a soft click.
4. The door will now close properly.



---

**15** Connect the power supply as shown below.



---

**Cleaning & Care**

Treat surfaces with care. Surfaces are resistant to scratches but are not scratch resistant. Clean surfaces with a dry or damp soft cloth. Do not use abrasive cleaners. Hardware may loosen over time. Periodically check that all connections are tight.