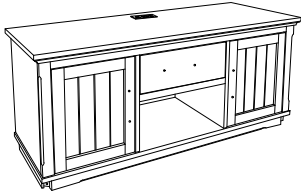


# ASSEMBLY INSTRUCTION

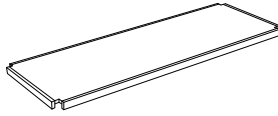
## BUFFET WITH POWER OUTLET

**A** Buffet



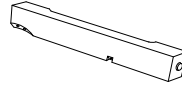
1 PC

**B** Shelf



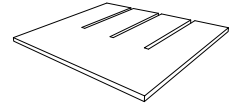
1 PC

**C** Leg



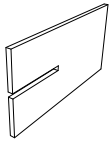
4 PCS

**D** Wine Rack  
(Horizontal)



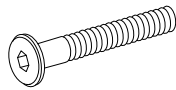
1 PC

**E** Wine Rack  
(Vertical)



3 PCS

**F** JCBC Bolt  
M6 x 60mm



8 PCS

**G** Lock Washer  
M6



8 PCS

**H** Flat Washer  
M6



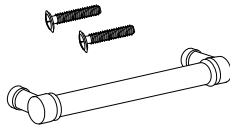
8 PCS

**I** Allen Wrench  
M4 x 100mm



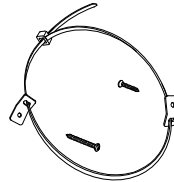
1 PC

**J** Handle & 2 pcs  
Screw



3 SETS

**K** Anti-Tipping Kit

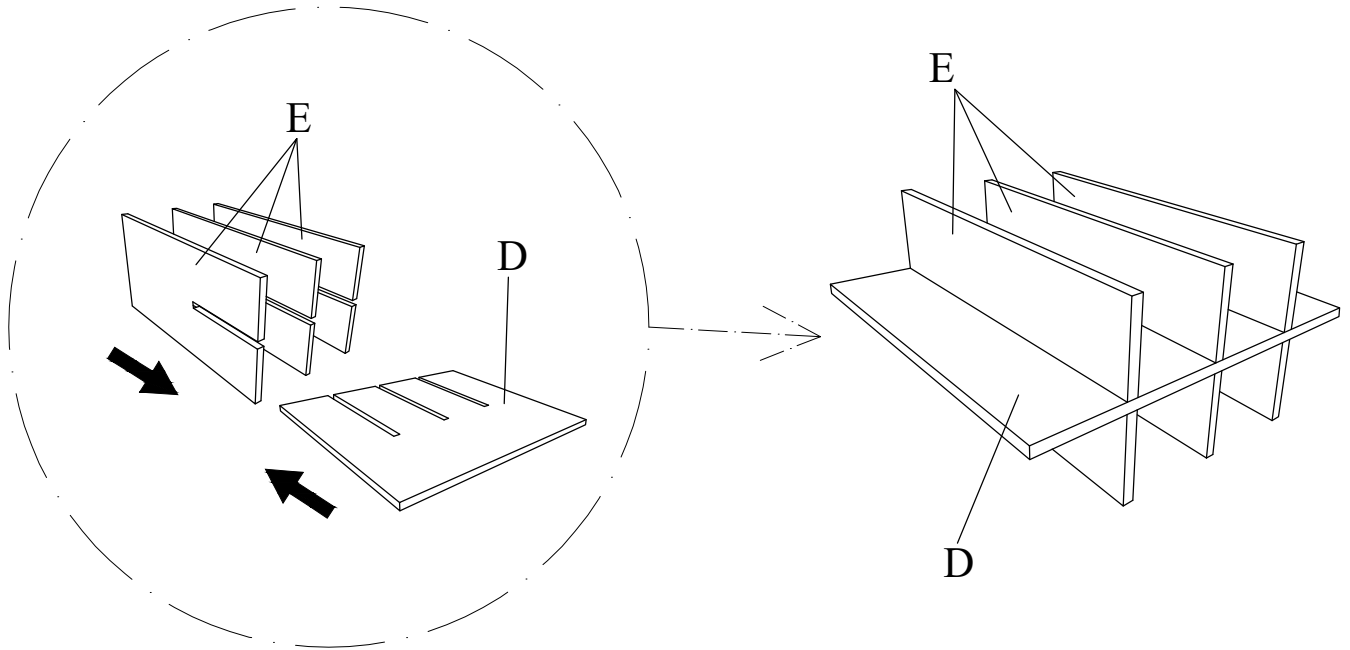


1 SET



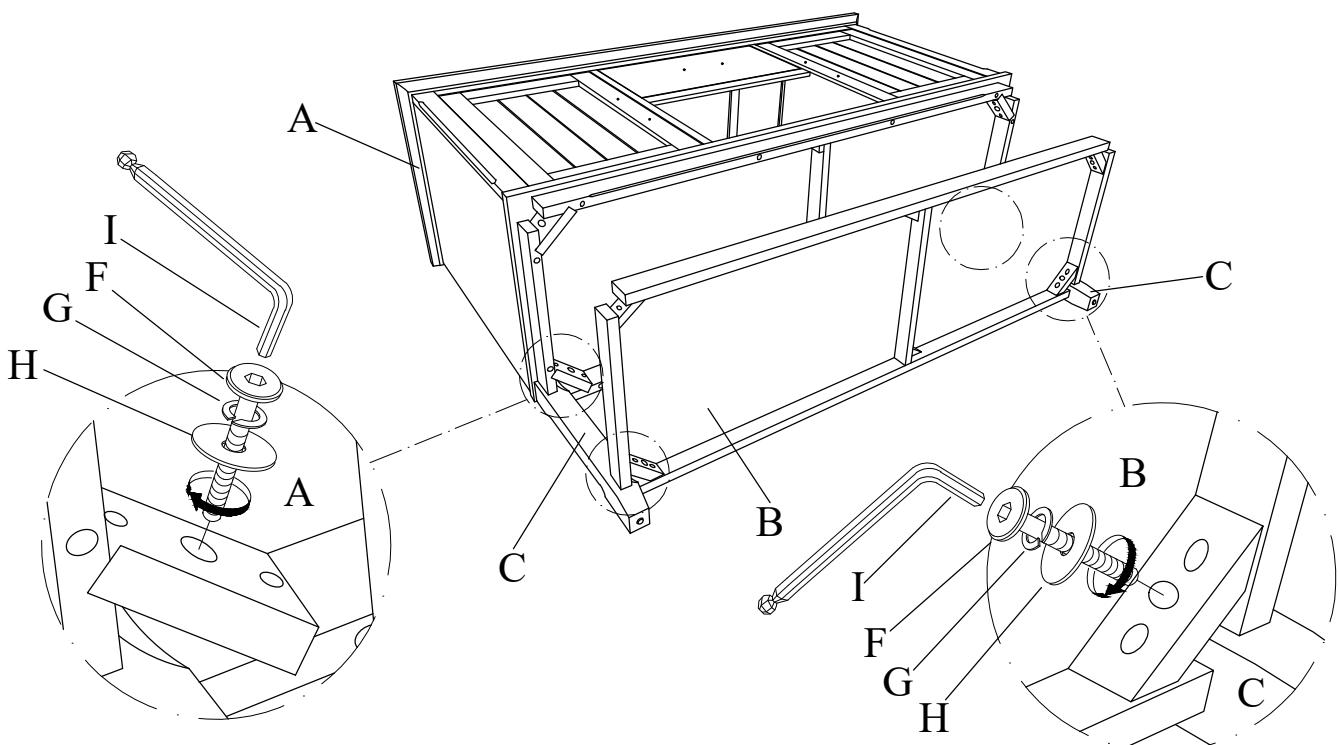
This page lists all the contents included in the box. Please take the time to identify the hardware as well as the individual components to this product. As you unpack and prepare for assembly, place the contents on a carpeted or padded area to protect them from damage.

- 1** Slot in three pieces of Wine Rack (Vertical) (E) to Wine Rack (Horizontal) (D).

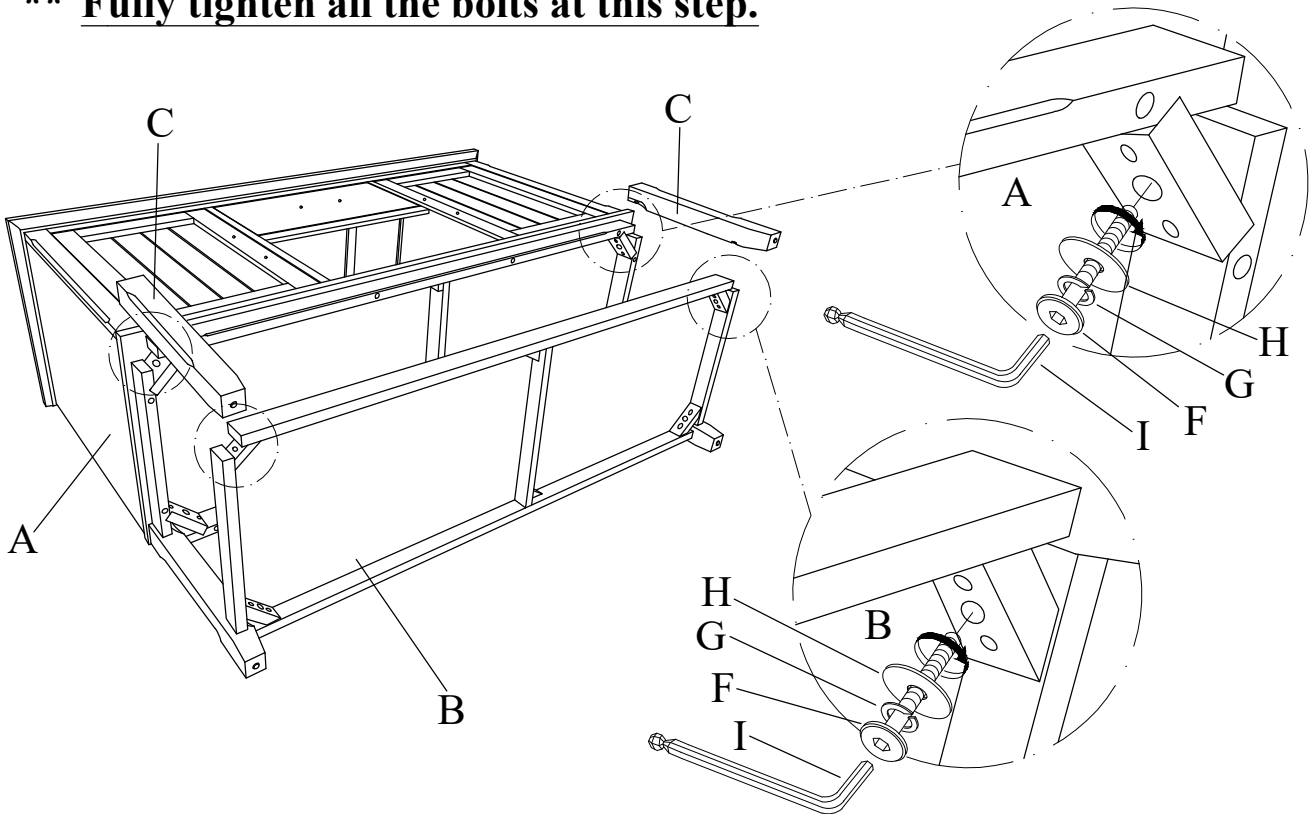


- 2** Attach two Leg (C) to Buffet (A) using JCBC Bolt (F), Lock Washer (G) and Flat Washer (H) with Allen Wrench (I). Then attach Shelf (B) to Leg (C) using JCBC Bolt (F), Lock Washer (G) and Flat Washer (H) with Allen Wrench (I).

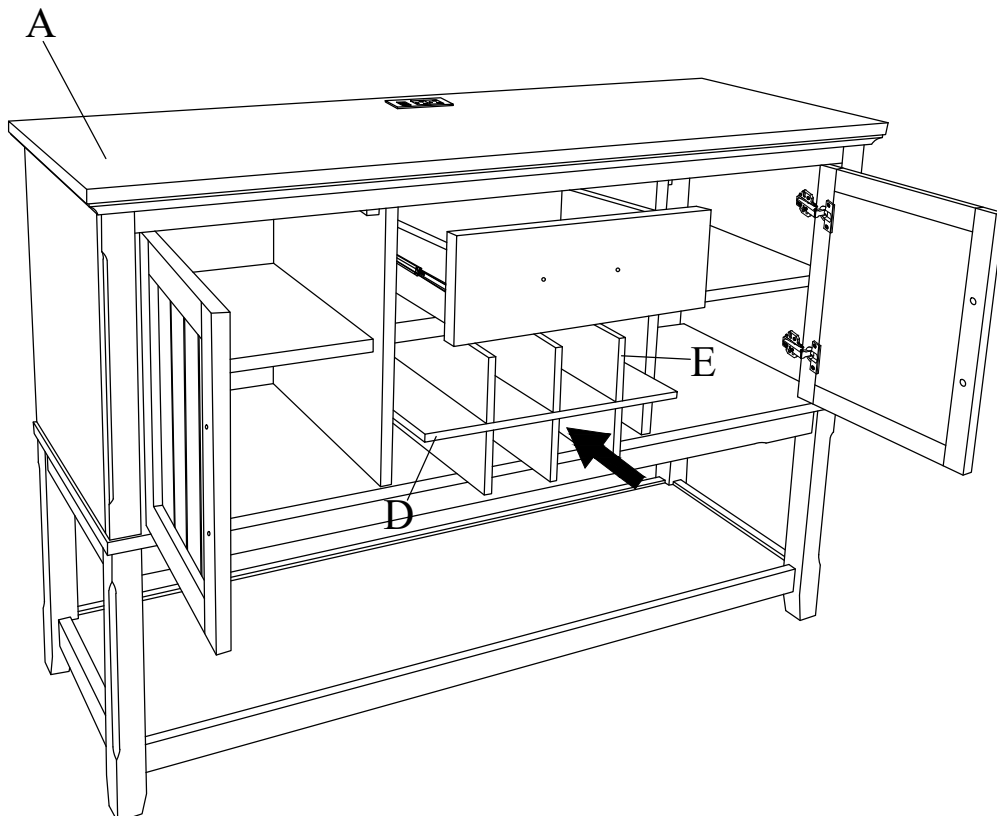
**\*\* Do not fully tighten all the bolts at this step.**



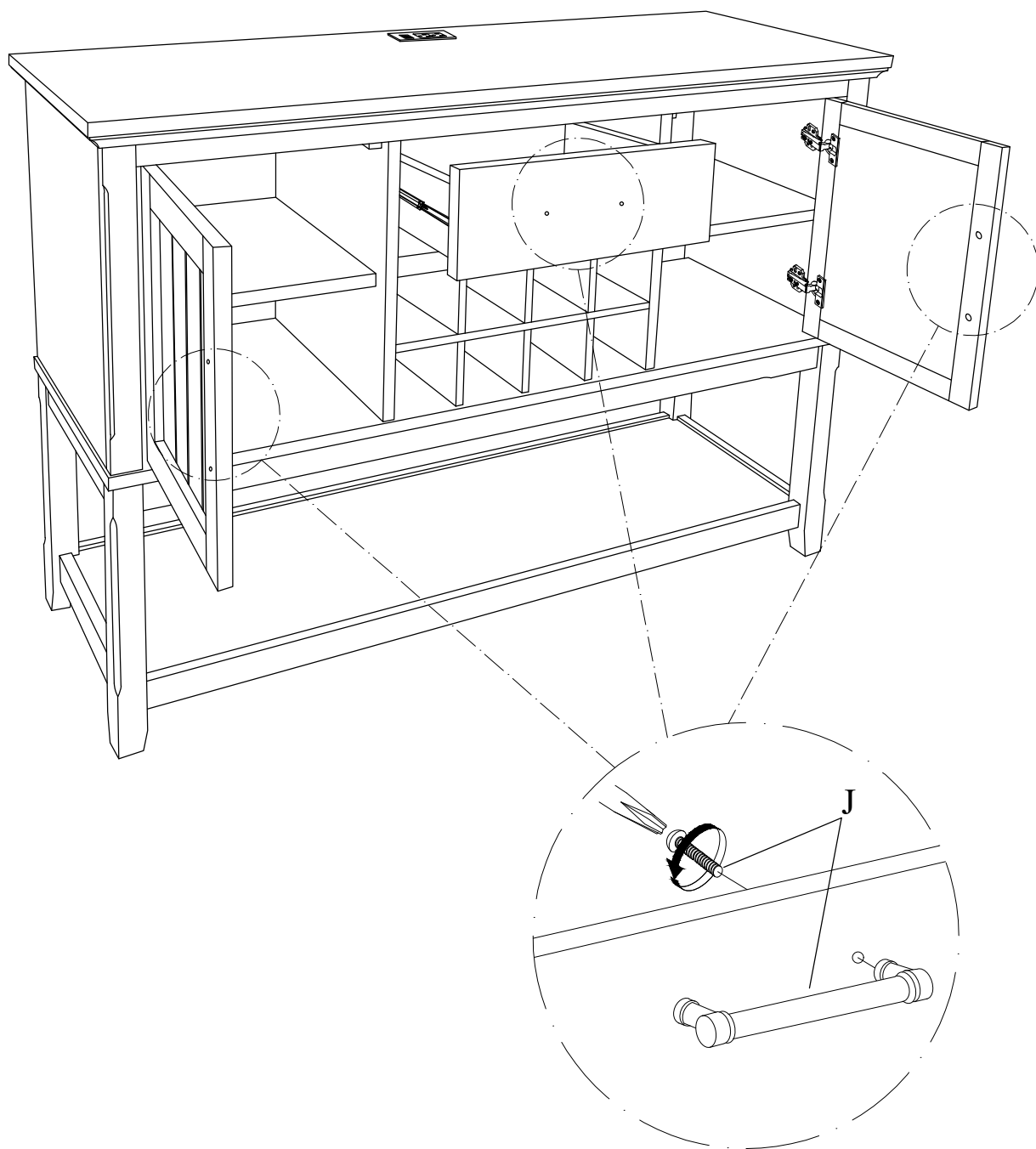
- 3** Attach the other two Leg (C) to Buffet (A) and Shelf (B) using JCBC Bolt (F), Lock Washer (G) and Flat Washer (H) with Allen Wrench (I).  
**\*\* Fully tighten all the bolts at this step.**



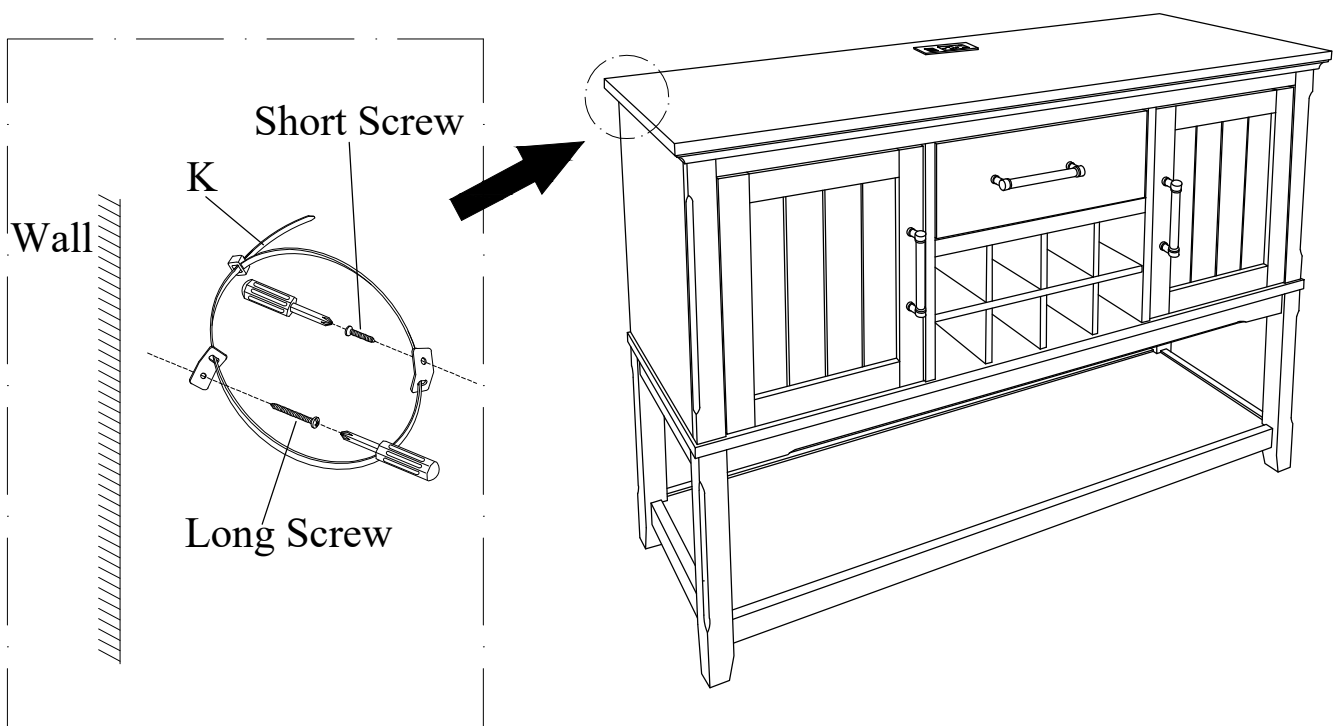
- 4** Stand the Buffet up on an even surface and check that it is balanced. Place the assembled Wine Rack (D & E) into the Buffet (A).



- 5** From inside, attach Handle (J) to the drawer front and doors using Screw (J) with screwdriver (not provided).



- 6** Attach Anti-Tipping Kit (K) to wall. Attach bracket (vertically) to wall using the long screw provided. Attach bracket (vertically) to furniture back (directly below top) with short screw. Place bracket as close to left of furniture back as possible in relation to wall stud and the desired position in the room. Move furniture to its final position. Thread the strap through the bracket, pull it tight.



### Cleaning & Care

Treat surfaces with care. Surfaces are resistant to scratches but are not scratch resistant. Clean surfaces with a dry or damp soft cloth. Do not use abrasive cleaners. Hardware may loosen over time. Periodically check that all connections are tight.