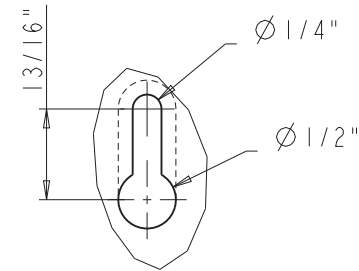
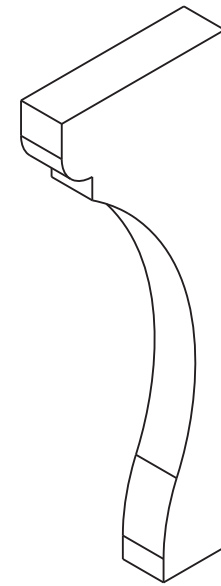
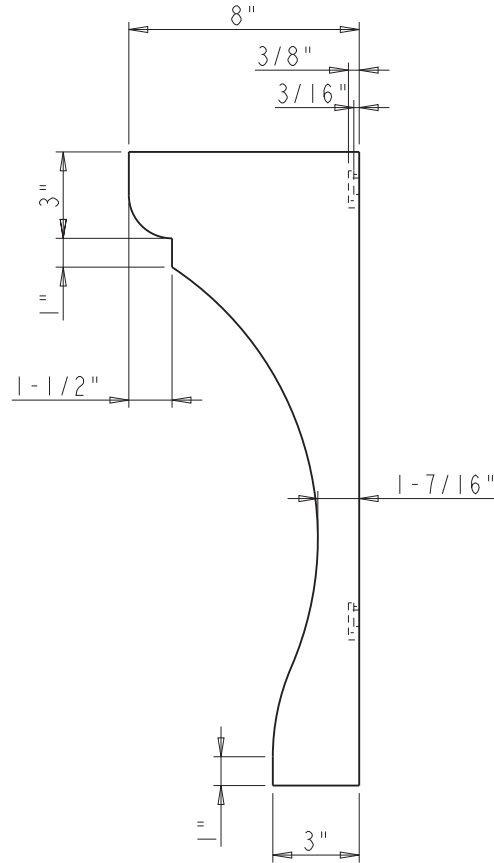
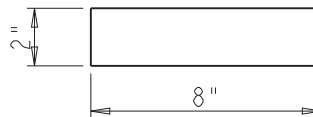


SEE DETAIL A



DETAIL A
SCALE 3:5



	ITEM#: COR40		MATERIAL:	
	FINISH:		WEIGHT: 0.000 g	
	PROJECTION			
<p>PROPRIETARY AND CONFIDENTIAL</p> <p>THE INFORMATION CONTAINED IN THIS DRAWING IS THE SOLE PROPERTY OF HARDWARE RESOURCES INC. ANY REPRODUCTION IN PART OR AS A WHOLE WITHOUT THE WRITTEN PERMISSION OF HARDWARE RESOURCES INC. IS PROHIBITED.</p>	<p>TOLERANCE UNLESS OTHERWISE SPECIFIED:</p> <p>X ±0.20</p> <p>XX ±0.10</p> <p>XXX ±0.05</p> <p>ANGULAR: ±0.5°</p> <p>DO NOT SCALE DRAWING</p>	<p>UNITS:</p> <p>SIZE: A4</p> <p>SHEET: 1 OF 1</p>	<p>DRAWN BY: <i>Hugo.cai</i></p> <p>APPROVED BY:</p> <p>RELEASE LEVEL:</p>	<p>DATE: 01-12-15</p> <p>DATE:</p> <p>REVISION:</p>