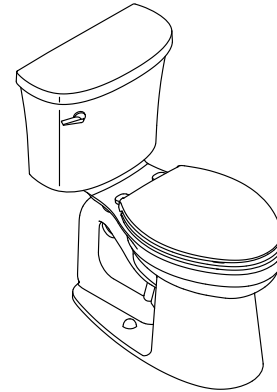




Kingston™
 The Complete Solution® two-piece elongated toilet,
 1.28 gpf
K-26077

Features

- Two-piece design
- Elongated bowl offers added room and comfort
- Comfort Height® feature offers chair-height seating that makes sitting down and standing up easier for most adults
- 1.28 gpf (4.8 lpf)
- Durable metal left-hand Polished Chrome trip lever
- 2-1/8" (54 mm) fully glazed trapway
- Sanitary guard where bowl and tank meet for ease of cleaning
- Easy-to-service silicone seal
- Encapsulated bolts prevent rust and corrosion
- Quiet-Close™ elongated lid and seat prevents slamming
- Ideal for commercial installations
- The Complete Solution toilets provide everything you need, including bowl, tank, seat, wax ring, and hardware
- Precision-engineered tank, bowl, and trapway create strong siphon during flushing
- Class Five® canister optimizes the flow out of the tank, harnessing gravity and the natural, powerful reducing cascade of water to increase the power and effectiveness of the flush
- Easy-to-flush canister design requires less force to actuate than a 3" (76 mm) flapper, and has 90% less exposed seal material which resists conditions that cause wear, tear, shrinkage and swelling



ADA **CSA B651** **OBC**

Codes/Standards

ASME A112.19.2/CSA B45.1
 DOE - Energy Policy Act 1992
 EPA WaterSense®
 California Energy Commission (CEC)
 ADA
 ICC/ANSI A117.1
 CSA B651
 OBC

Installation

- Three-bolt quick-connect installation
- Standard 12" (305 mm) rough-in
- Supply line sold separately

Recommended Products/Accessories

K-7637 Angle Supply with Stop (single)
 K-5420 Low-Profile Bolt Caps
 K-23726 Drain treatment

Included Components


K-25076 Elongated toilet bowl
 K-25100 Toilet tank, 1.28 gpf
 K-20110 Brevia™ Quiet-Close™ elongated toilet seat

KOHLER® Toilets and Seats Limited Warranty

See website for detailed warranty information.

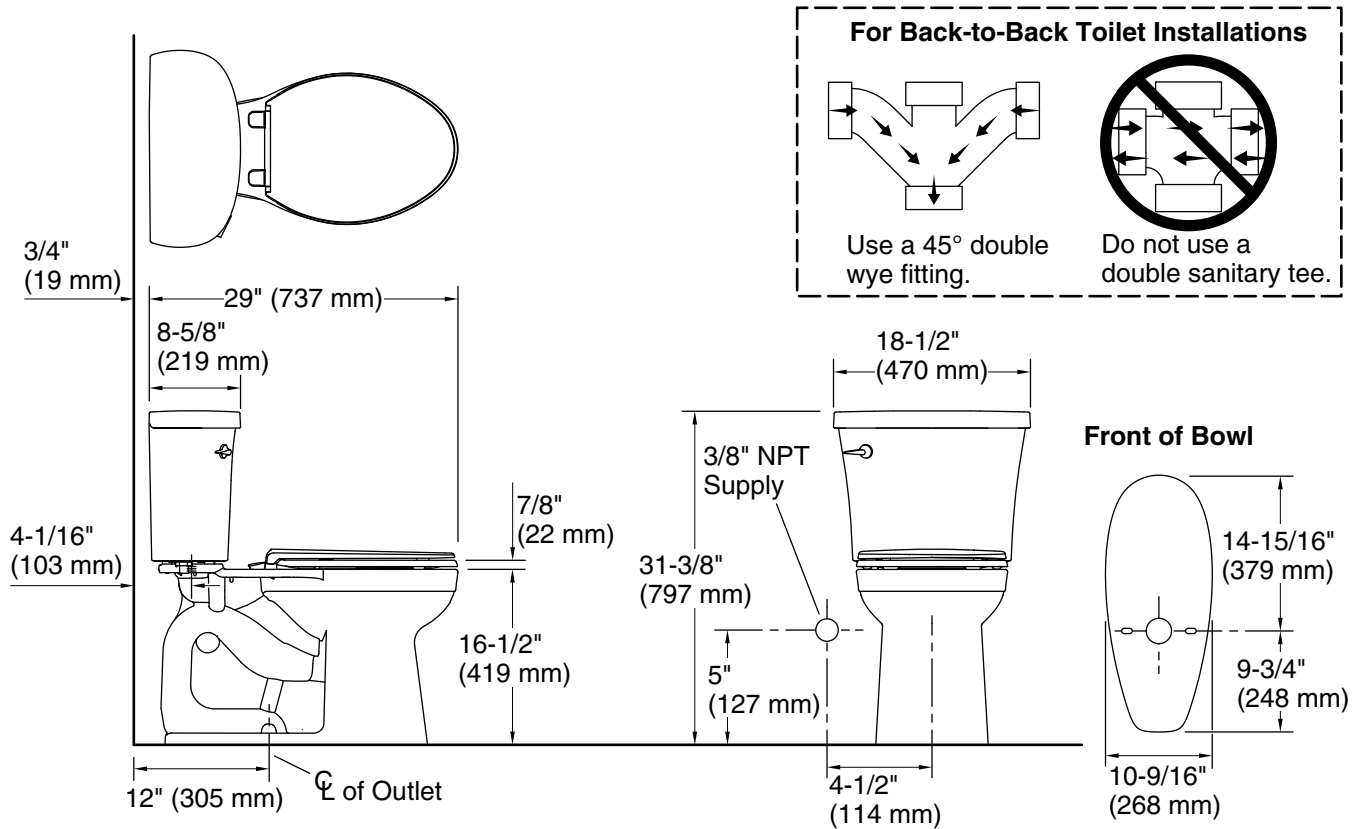
Available Colors/Finishes

Color tiles intended for reference only.

Color	Code	Description
	0	White

KOHLER®

Kingston™
The Complete Solution® two-piece elongated toilet,
1.28 gpf
K-26077



Technical Information

All product dimensions are nominal.

Toilet type:	Floor-mount
Waste Outlet:	Floor
Bowl shape:	Elongated
Flush type:	Class Five
Trap passageway:	2-1/8" (54 mm)
Water surface size:	10-5/8" x 6-15/16" (269 mm x 176 mm)
Rim to water surface:	5-5/8" (143 mm)
Rough-in:	12" (305 mm)
Seat-mounting holes:	5-1/2" (140 mm)

Notes

Install this product according to the installation instructions.

ADA, OBC, CSA B651 compliant when installed to the specific requirements of these regulations.

Plumbing codes may require elongated toilets and elongated, open-front seats in public bathrooms.

Accessibility standards may require controls to be located on the open side of the toilet.

1-800-4KOHLER (1-800-456-4537)

Kohler Co. reserves the right to make revisions without notice to product specifications.

For the most current Specification Sheet, go to www.kohler.com USA or www.kohler.ca Canada

9-4-2025 20:57 - US/CA

THE BOLD LOOK
OF **KOHLER®**