



Manufactured by:  
Backyard Discovery  
3305 Airport Drive, Pittsburg, KS 66762  
800-856-4445

*Basepoint Business Centre: Rivermead Drive, Westlea, Swindon SN5 7EX Phone: 0800-118-2476 J.P. Coenstraat 7, The Bridge, The Hague, 2595 WP, Netherlands Phone: 08005678990*

# 14x10 BARRINGTON/CORDOVA GAZEBO GUTTER KIT

**MODEL #: 9240469/9240513**



**Please visit [www.backyarddiscovery.com](http://www.backyarddiscovery.com)**

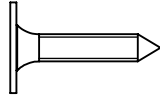
**For the most up to date assembly manual, to register your product, or to order**

**replacement parts Para obtener instrucciones en español, visite**

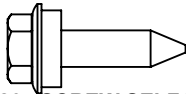
**[www.backyarddiscovery.com](http://www.backyarddiscovery.com)**

# **OWNER'S MANUAL - PARTS IDENTIFICATION**

## **Hardware Components**



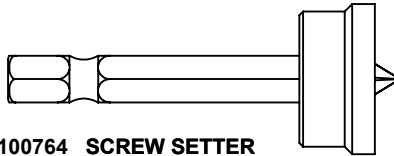
**H101205 SCREW PWH BLK**  
**(x8) 8x3/4**



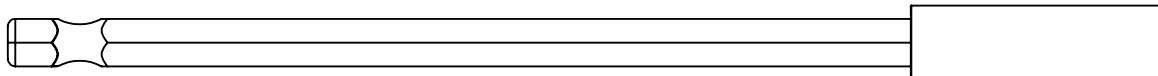
**H101480 SCREW SELF TAPPING**  
**(x24) #9-1/4x14**



**H101415 SCREW SELF PIERCING**  
**(x18) #8-15x3/4**



**H100764 SCREW SETTER**  
**(x1)**



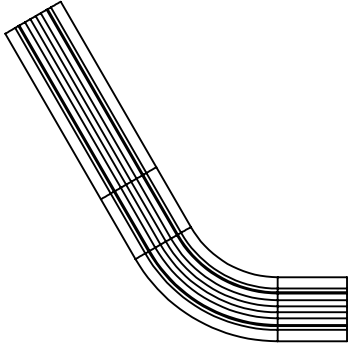
**H101278 6" MAGNETIC DRIVER EXTENSION**  
**(x1)**



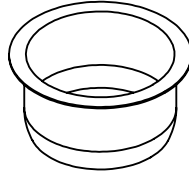
**A6P01531 10 OZ SILICONE TUBE**  
**(x1)**

# OWNER'S MANUAL - PARTS IDENTIFICATION

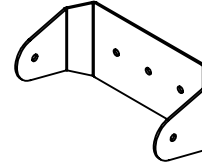
## Accessory Components (NOT TO SCALE)



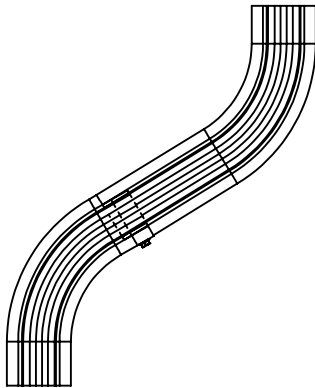
**A4M05880 DOWNSPOUT ELBOW - LONG**  
(x2) 3"x10 5/8"x10 11/16" (76x270x271)



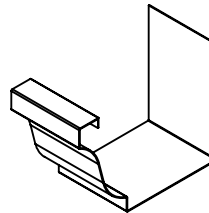
**A4M04761 DOWNSPOUT OUTLET**  
(x2) 1 7/16"x2 7/8" (37x73)



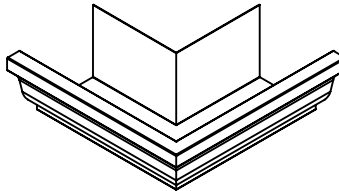
**A4M06338 GUTTER CLIP**  
(x4) 1 7/16"x1 7/16"x3 1/8" (37x37x79)



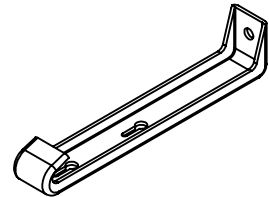
**A4M05878 DOWNSPOUT OFFSET - 8IN**  
(x2) 3"x9 5/8"x12 9/16" (76x244x319)



**A4M06347 GUTTER SPLICE**  
(x2) 2 1/2"x3 11/16"x5 1/16" [64x94x129]



**A4M05873 OUTSIDE CORNER MITER**  
(x4) 3 11/16"x4 7/8"x4 7/8" (94x124x124)



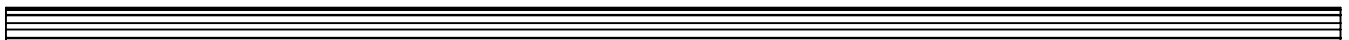
**A4M04759 GUTTER HANGER**  
(x24) 3/4"x1"x4 15/16" (19x25x125)



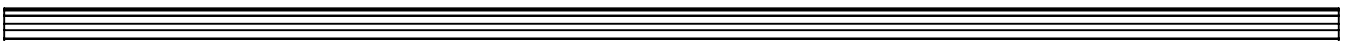
**A4M06349 GUTTER**  
(x2) 3 5/8"x5"x114 15/16" (92x127x2920)



**A4M06340 DOWNSPOUT - 5FT**  
(x2) 2"x3"x60" (51x76x1524)



**A4M06350 GUTTER**  
(x2) 3 5/8"x5"x81 1/2" (92x127x2070)



**A4M06697 GUTTER W/ OUTLET**  
(x2) 3 5/8"x5"x81 1/2" (92x127x2070)

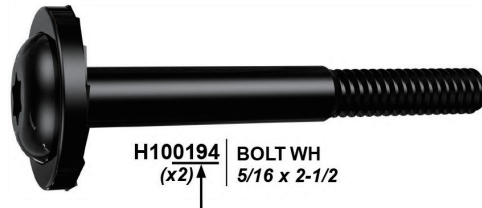
# PRE-ASSEMBLY STEP 1 - SORTING PARTS

It is critical for ease of assembly that you take the time to sort and organize the parts and hardware.

---

## **HARDWARE PARTS:**

- We recommend that you have a separate table to organize the hardware.
- Hardware bags are printed with a seven-digit, alpha-numeric part number.
- You can organize your hardware by part number or group by hardware type (e.g. bolts, nuts, etc.).
- During assembly you only need to reference the last four digits of the number.



---

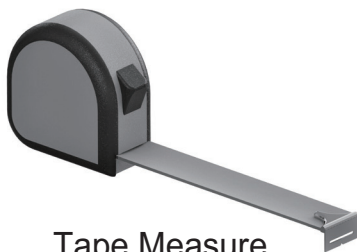
## **TOOLS REQUIRED:**



Cordless Drill or  
Electric Drill



Caulk Gun



Tape Measure

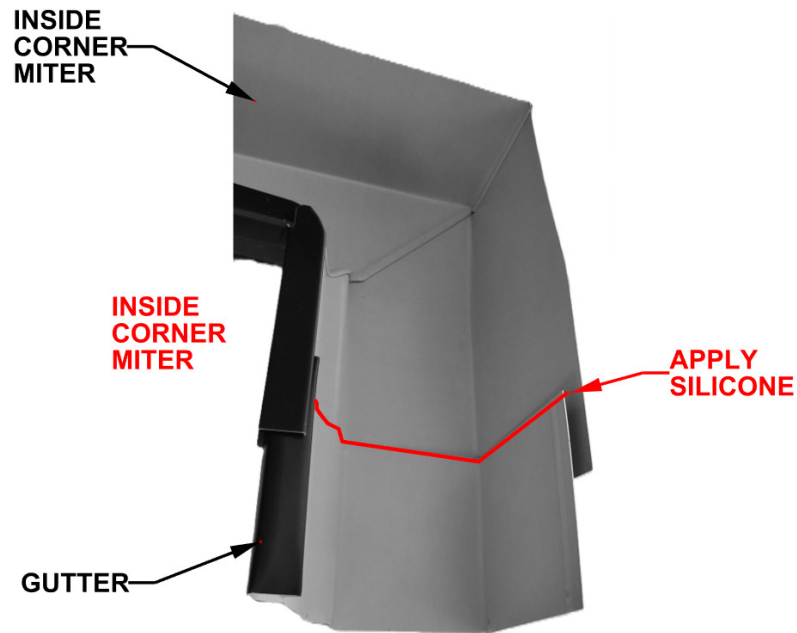
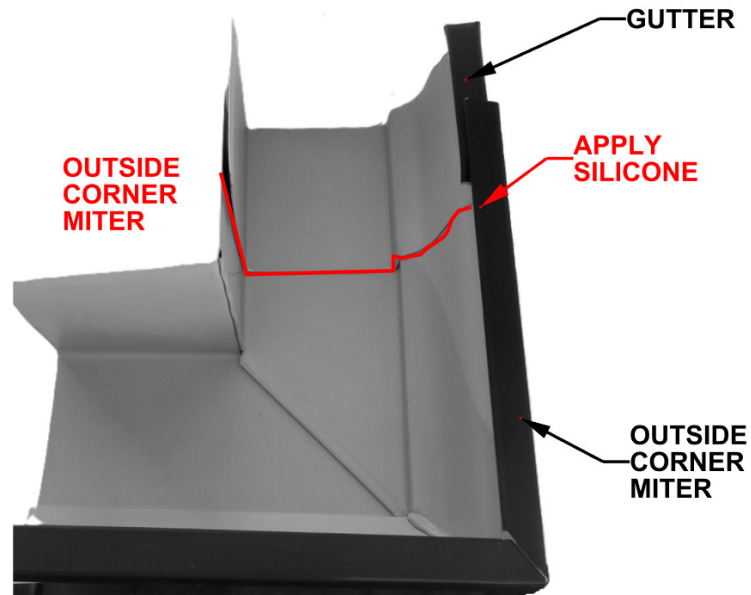


1/8" Drill Bit

# OUTSIDE/INSIDE CORNER MITER PAGE

**NOTE:**

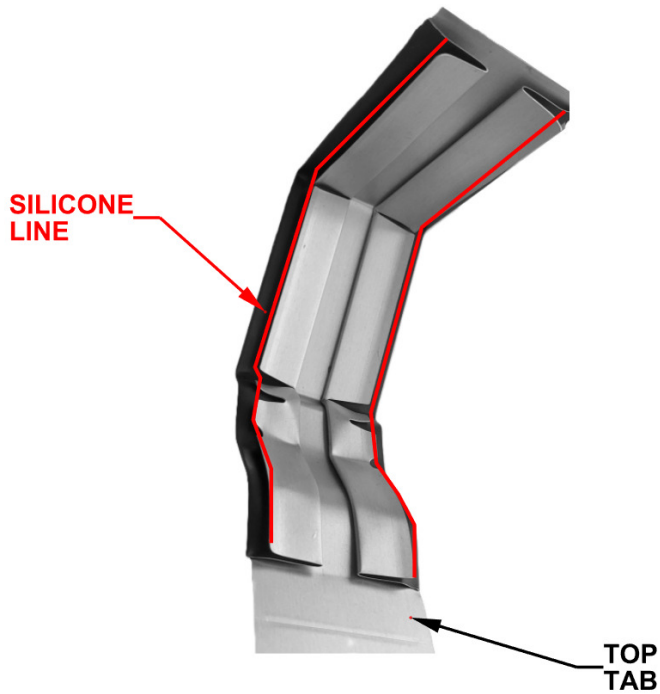
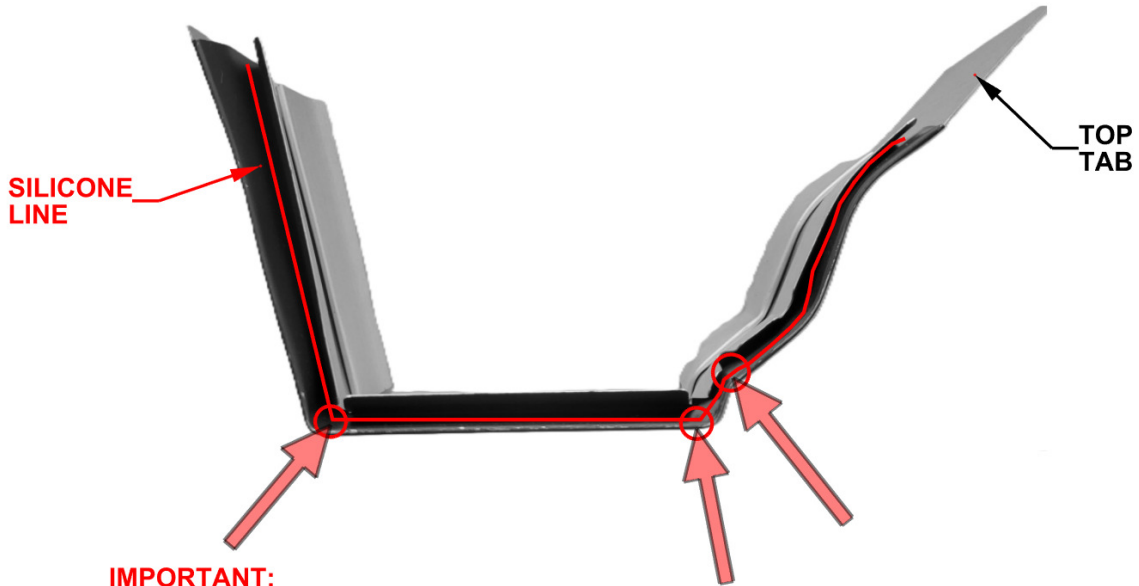
- AFTER GUTTER KIT HAS BEEN INSTALLED, IT IS CRITICAL TO CAULK CORNER MITER JOINTS TO PREVENT LEAKS.



WAIT APPROXIMATELY 45 MINUTES FOR SILICONE TO BECOME TACKY.  
AFTER 24 HOURS, SILICONE HAS CURED AND CAN HOLD WATER

# GUTTER SPLICE PAGE

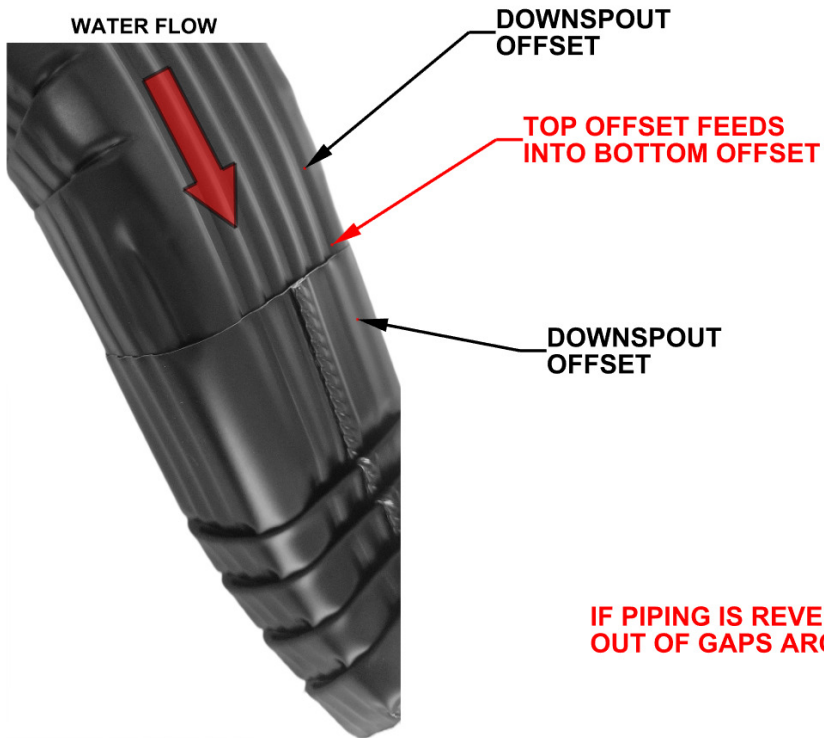
- NOTE:**
- APPLY SILICONE TO INSIDE CHANNEL ON BOTH SIDES.
  - ENSURE SILICONE IS EVENLY APPLIED ALONG THE CHANNEL.
  - AFTER GUTTER SPLICE HAS BEEN SLID ONTO GUTTERS AND SILICONE HAS HAD TIME TO CURE, USING HAND PRESSURE ONLY, FOLD THE TOP TAB OVER EDGE OF GUTTER



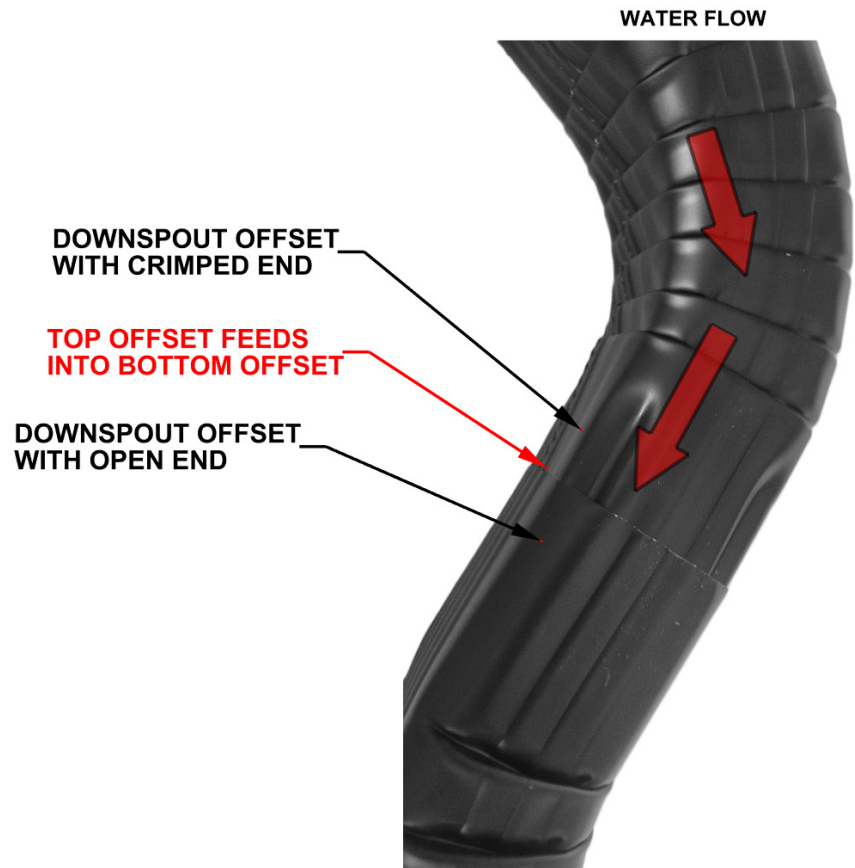
WAIT APPROXIMATELY 45 MINUTES FOR SILICONE TO BE COME TACKY.  
AFTER 24 HOURS, SILICONE HAS CURED AND CAN HOLD WATER

# OFFSET ORIENTATION

TO ENSURE WATER FLOWS PROPERLY, IT IS IMPORTANT TO ORIENT DOWNSPOUT PIPING CORRECTLY. STARTING AT THE TOP, DOWNSPOUTS MUST FEED INTO THE NEXT SECTION AS SHOWN.



IF PIPING IS REVERSED, WATER WILL RUN OUT OF GAPS AROUND JOINTS

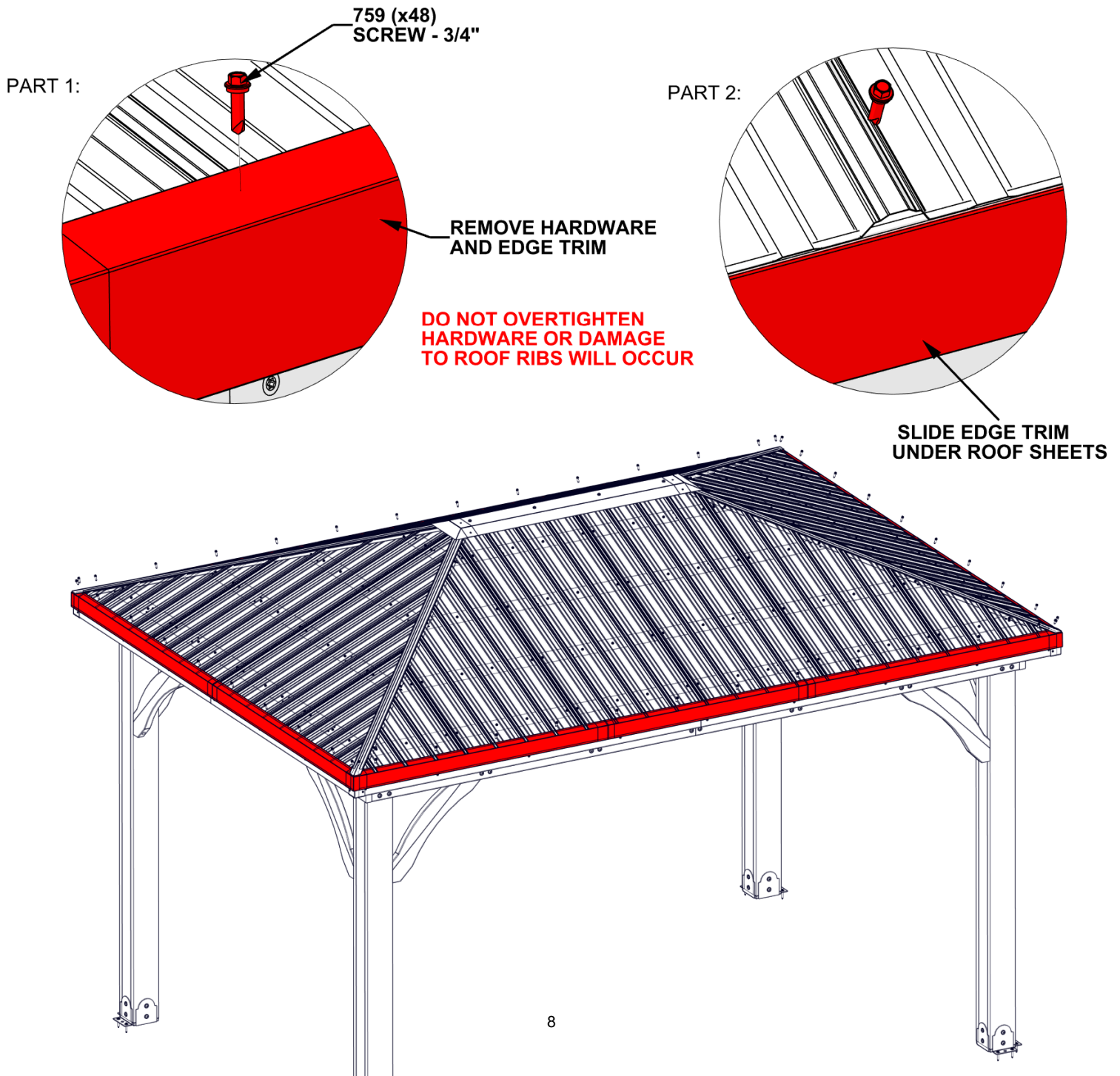


# STEP 1 - EDGE TRIM REMOVAL

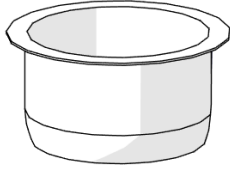
QTY	PART NUMBER	DESCRIPTION
48	H100759	SCREW SELF TAPPING 1/4x3/4

**ATTENTION: REMOVE EDGE TRIM FROM ROOF AND SLIDE TRIM AND SPLICES UNDER ROOF SHEETS. DO NOT RE-USE THE CORNER TRIM PIECES.**

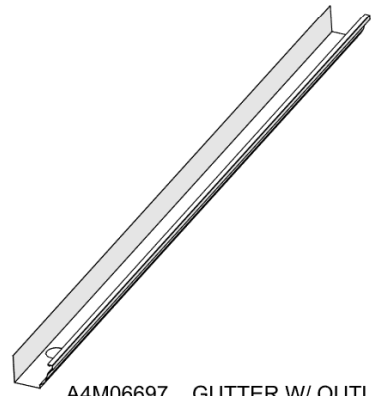
- REMOVE EDGE TRIM, EDGE TRIM SPLICE AND CORNER TRIM SPLICE BY REMOVING HARDWARE ALONG EDGE.
- RE-USE PREVIOUS HOLES TO AVOID LEAKS.



# STEP 2 - GUTTER ASSEMBLY

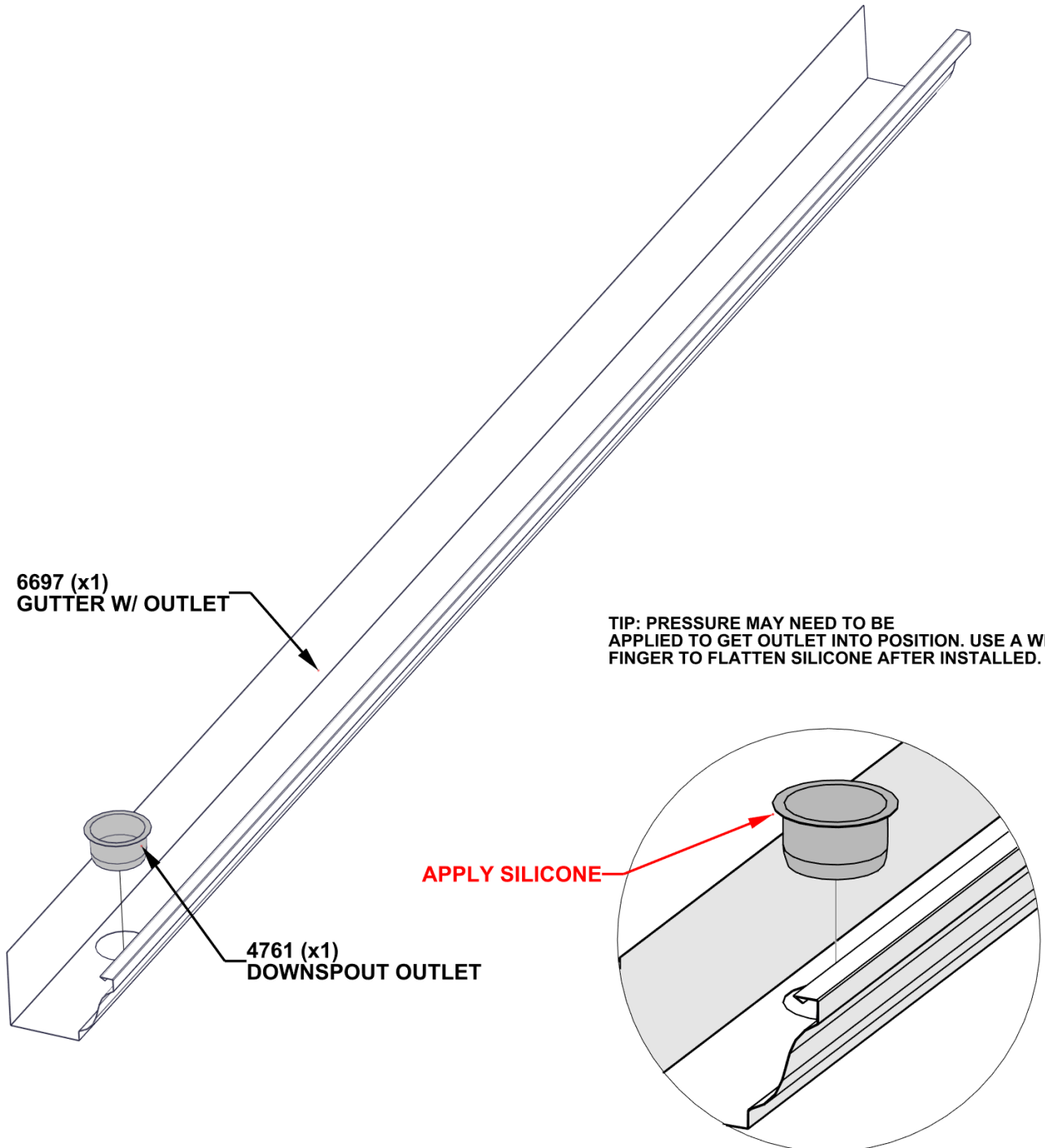


A4M04761 DOWNSPOUT OUTLET  
(x2)



A4M06697 GUTTER W/ OUTLET  
(x2)

- APPLY A BEAD OF SILICONE AROUND THE BOTTOM LIP OF THE DOWNSPOUT OUTLET AND PLACE OUTLET INSIDE GUTTER.
- COMPLETE THIS STEP TWICE.



6697 (x1)  
GUTTER W/ OUTLET

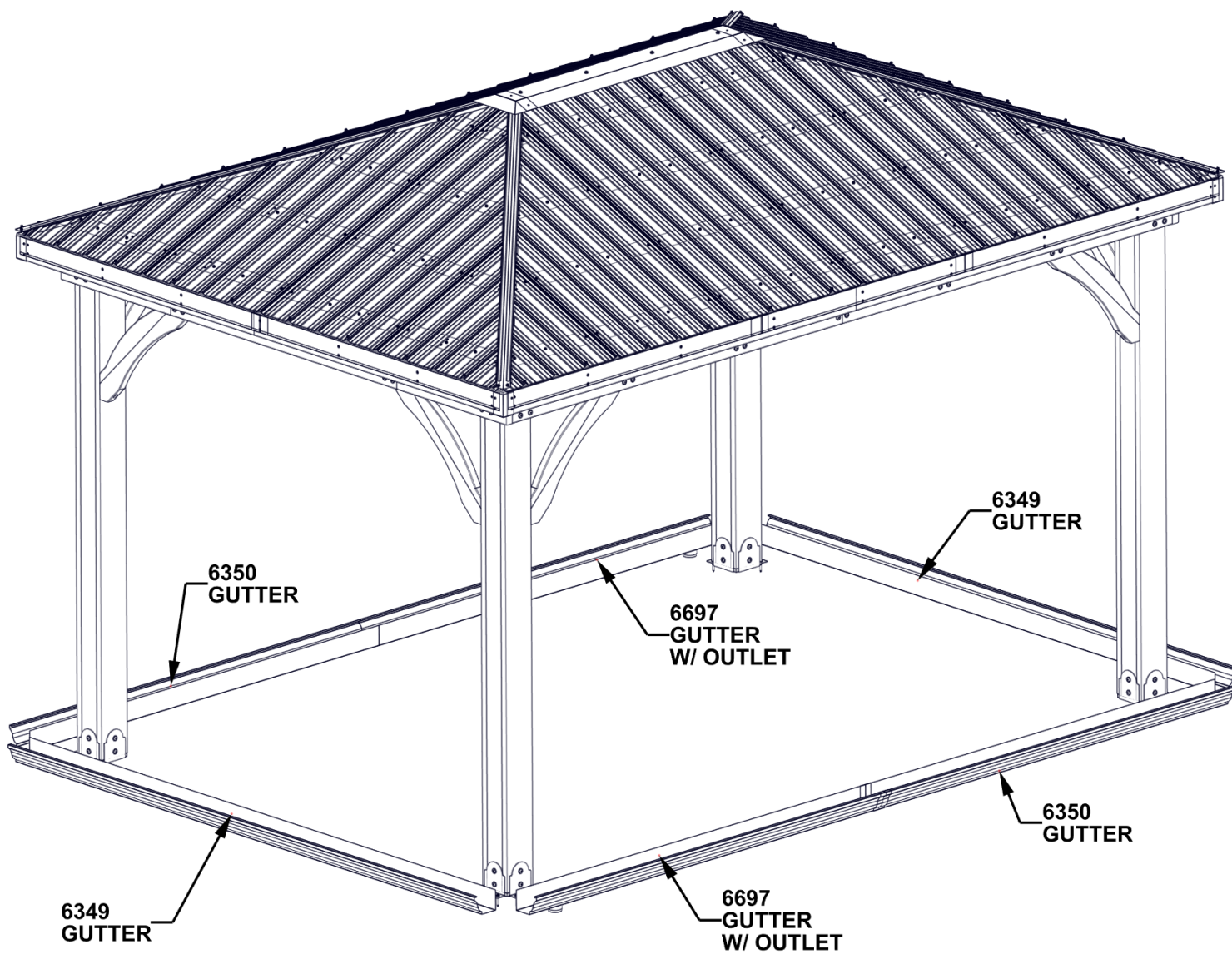
4761 (x1)  
DOWNSPOUT OUTLET

**TIP: PRESSURE MAY NEED TO BE APPLIED TO GET OUTLET INTO POSITION. USE A WET FINGER TO FLATTEN SILICONE AFTER INSTALLED.**

**APPLY SILICONE**

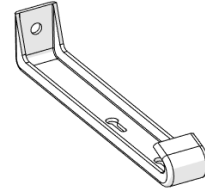
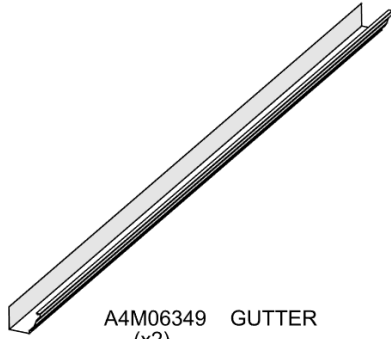
# STEP 3 - GUTTER ASSEMBLY

LAY GUTTERS AROUND GAZEBO TO DETERMINE WHERE GUTTERS WILL BE INSTALLED. DOWNSPOUTS WILL BE INSTALLED ON OPPOSITE CORNERS.

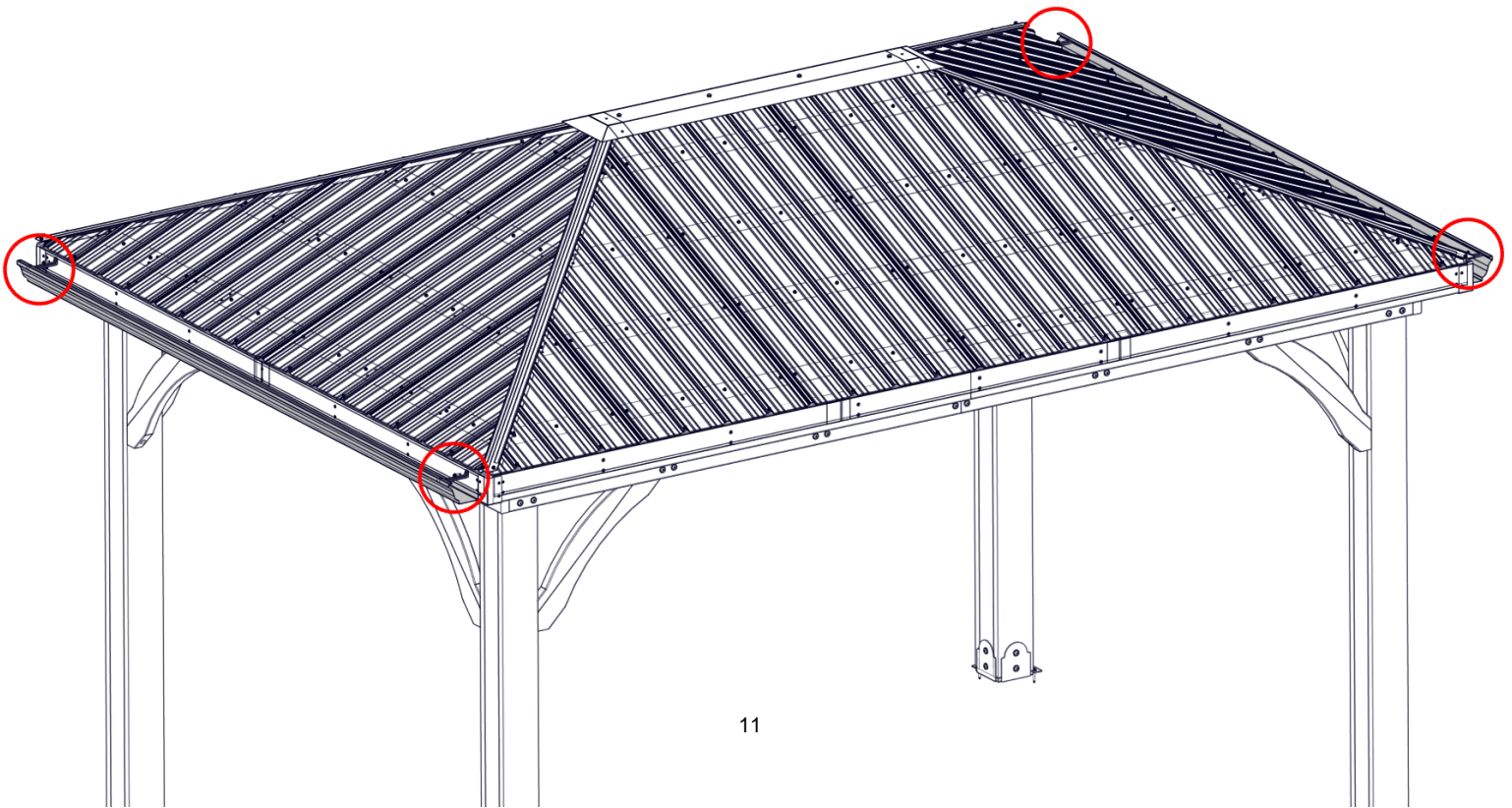
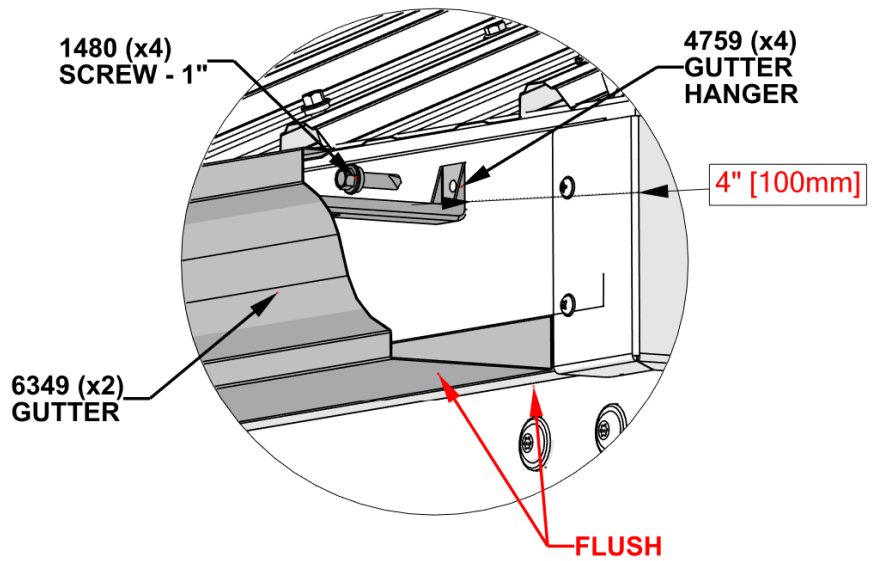


# STEP 4 - GUTTER ASSEMBLY

QTY	PART NUMBER	DESCRIPTION
4	H101480	SCREW SELF TAPPING #9x1 BLK

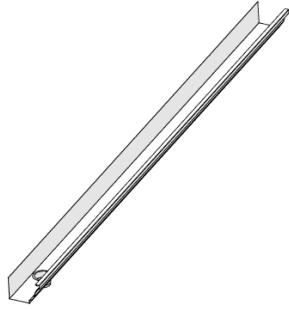


- SLIDE GUTTER ASSEMBLY UP UNDER EDGE TRIM AND FLUSH BOTTOM OF GUTTER WITH WOOD BOARD.
- CENTER GUTTER TO BETWEEN METAL BRACKETS ON CORNERS.
- INSTALL THE GUTTER HANGERS APPROXIMATELY 4" [100mm] FROM THE METAL BRACKET ON CORNERS.
- USE A CLAMP TO HOLD THE GUTTER TO WOODEN BEAM FOR ASSISTANCE.
- PRE-DRILL 1/8" [3mm] PILOT HOLES FOR EASE OF ASSEMBLY.
- COMPLETE ON BOTH SIDES.

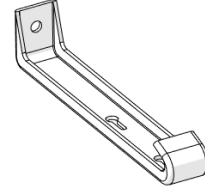


# STEP 5 - GUTTER ASSEMBLY

QTY	PART NUMBER	DESCRIPTION
2	H101480	SCREW SELF TAPPING #9x1 BLK

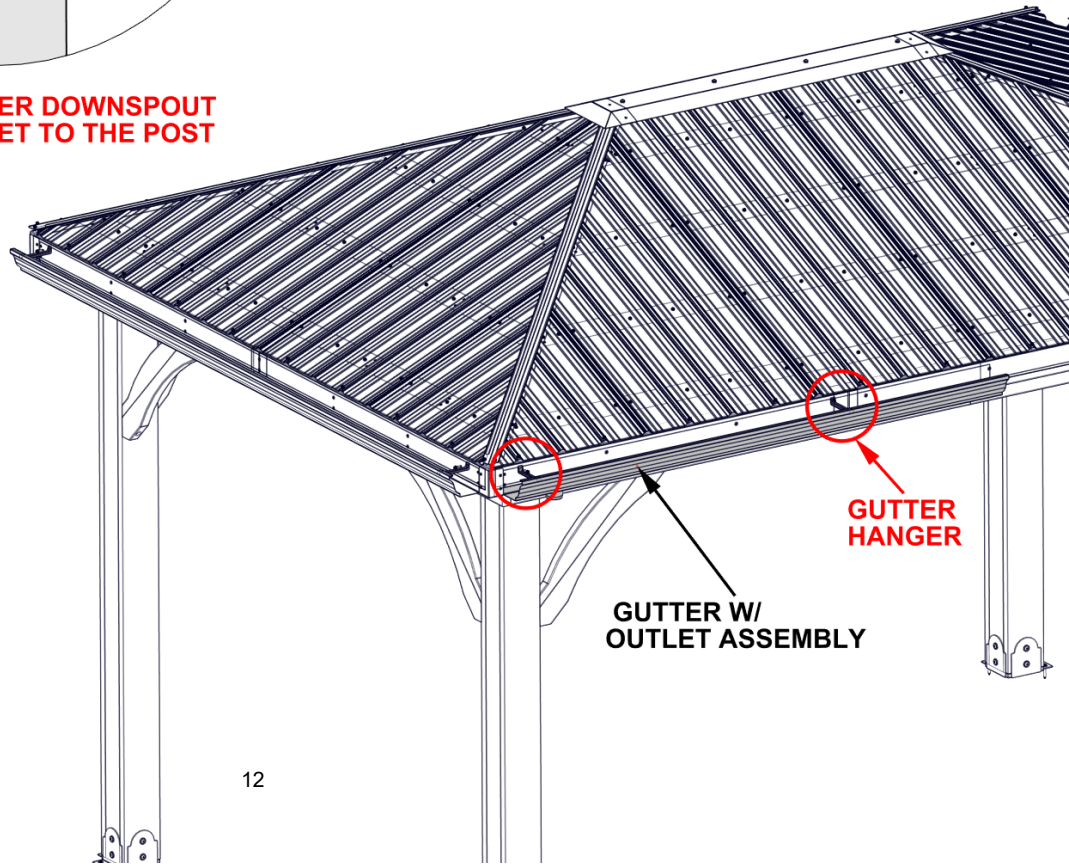
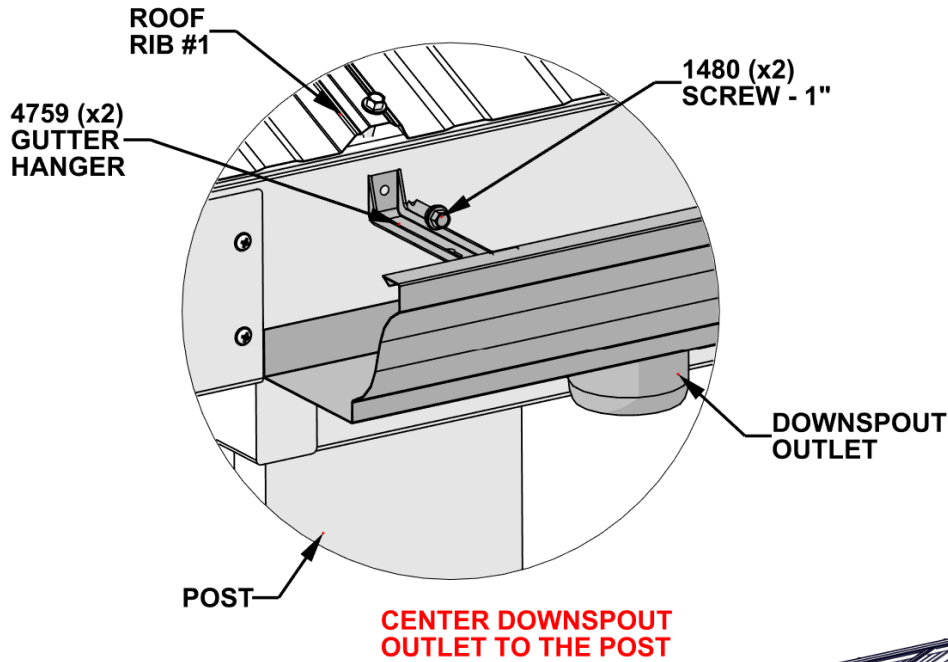


GUTTER W/ OUTLET ASSEMBLY - STEP 1



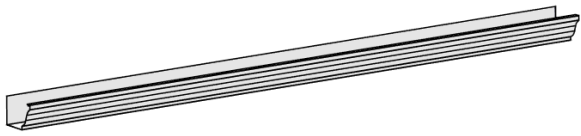
A4M04759 GUTTER HANGER (x2)

- SLIDE GUTTER ASSEMBLY UP UNDER EDGE TRIM AND FLUSH BOTTOM OF GUTTER WITH WOOD BOARD.
- FLUSH GUTTER UP TO METAL BRACKET.
- INSTALL THE FIRST GUTTER HANGER APPROXIMATELY 4" [100mm] FROM THE EDGE.
- INSTALL THE SECOND GUTTER HANGER AT THE 8TH ROOF RIB FROM THE EDGE.
- USE A CLAMP TO HOLD THE GUTTER TO WOODEN BEAM FOR ASSISTANCE.
- PRE-DRILL 1/8" [3mm] PILOT HOLES FOR EASE OF ASSEMBLY.

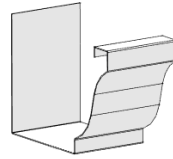


# STEP 6 - GUTTER ASSEMBLY

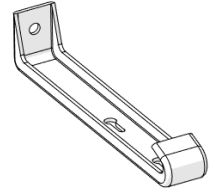
QTY	PART NUMBER	DESCRIPTION
2	H101480	SCREW SELF TAPPING #9x1 BLK



A4M06350 GUTTER  
(x1)

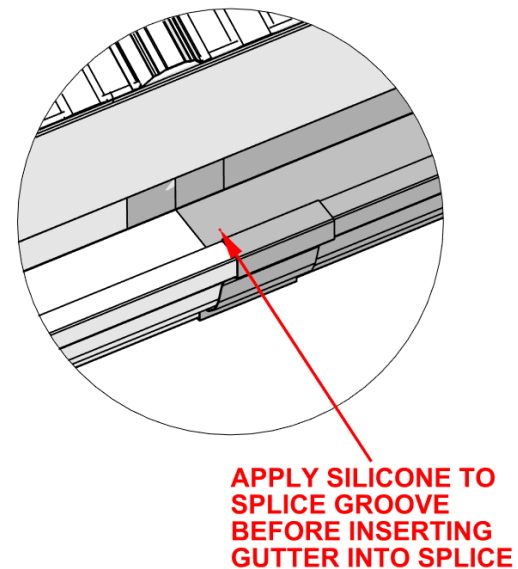
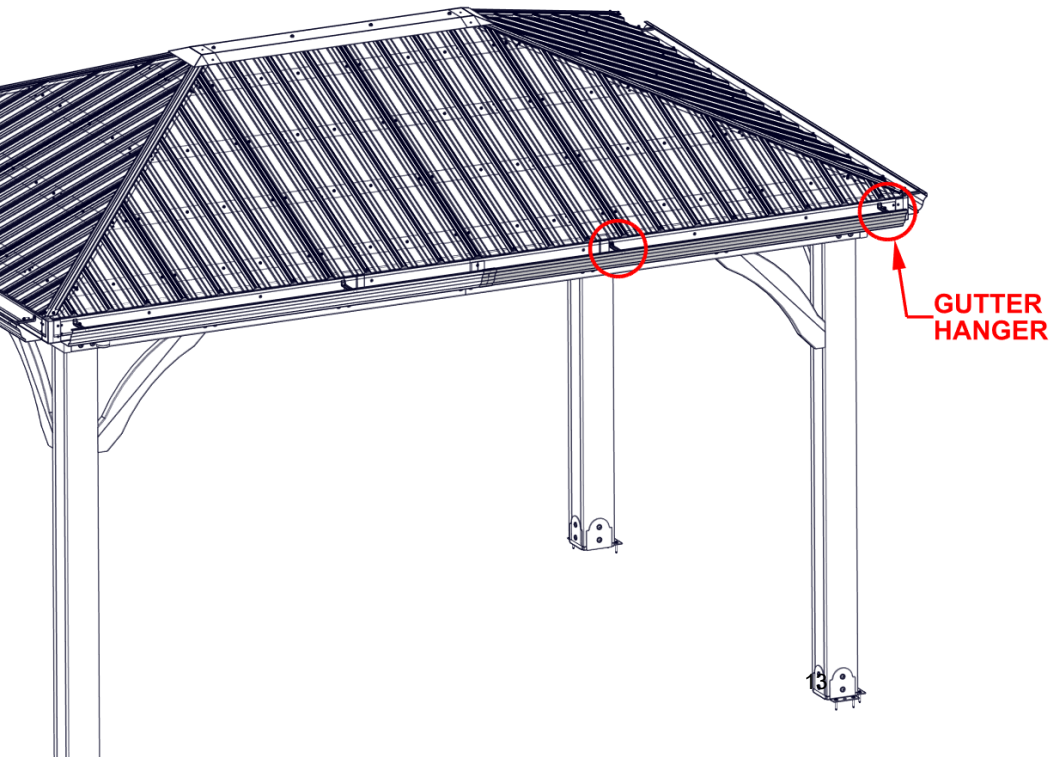
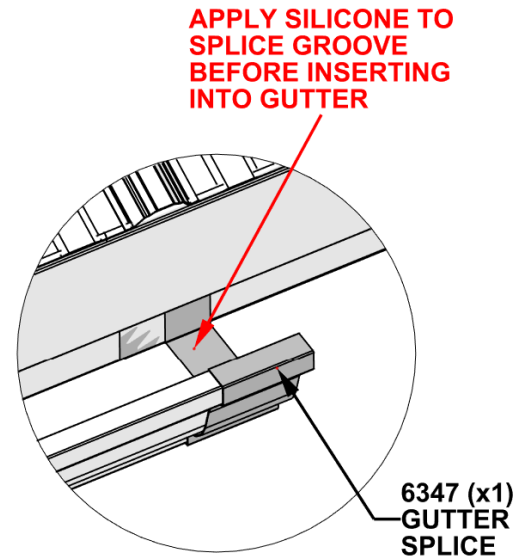
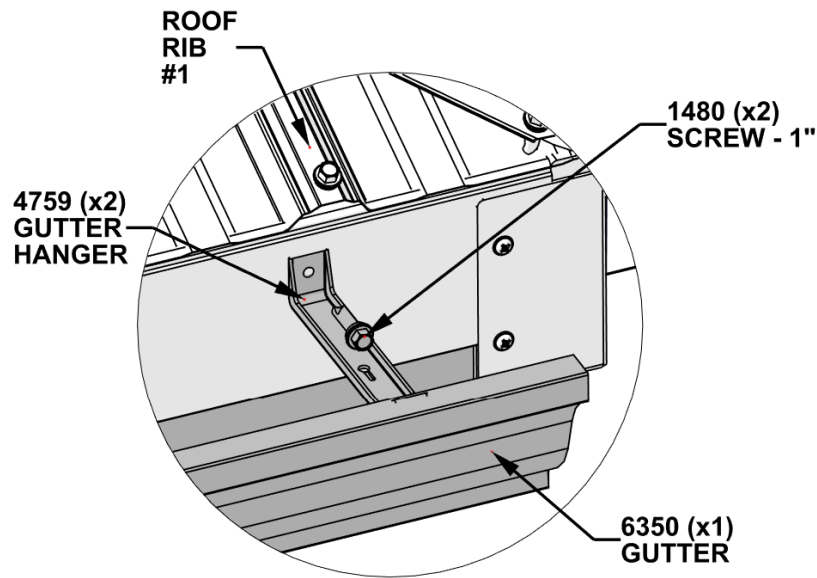


A4M06347 GUTTER SPLICE  
(x1)



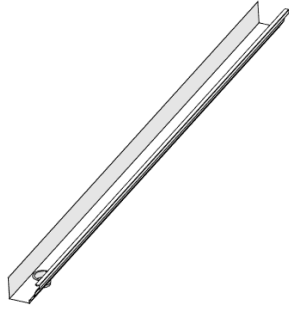
A4M04759 GUTTER HANGER  
(x2)

- SLIDE GUTTER ASSEMBLY UP UNDER EDGE TRIM AND FLUSH BOTTOM OF GUTTER WITH WOOD BOARD.
- INSTALL THE FIRST GUTTER HANGER APPROXIMATELY 4" [100mm] FROM THE EDGE.
- INSTALL THE SECOND GUTTER HANGER AT THE 8TH ROOF RIB FROM THE EDGE.
- USE A CLAMP TO HOLD THE GUTTER TO WOODEN BEAM FOR ASSISTANCE.
- PRE-DRILL 1/8" [3mm] PILOT HOLES FOR EASE OF ASSEMBLY.

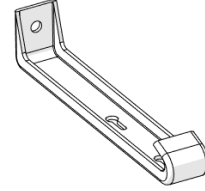


# STEP 7 - GUTTER ASSEMBLY

QTY	PART NUMBER	DESCRIPTION
2	H101480	SCREW SELF TAPPING #9x1 BLK

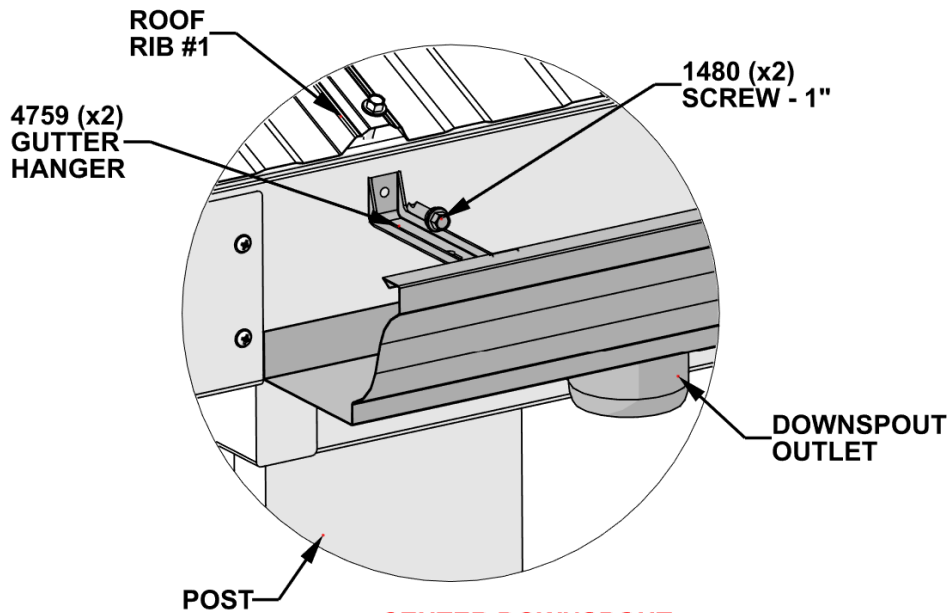


GUTTER W/ OUTLET ASSEMBLY - STEP 1

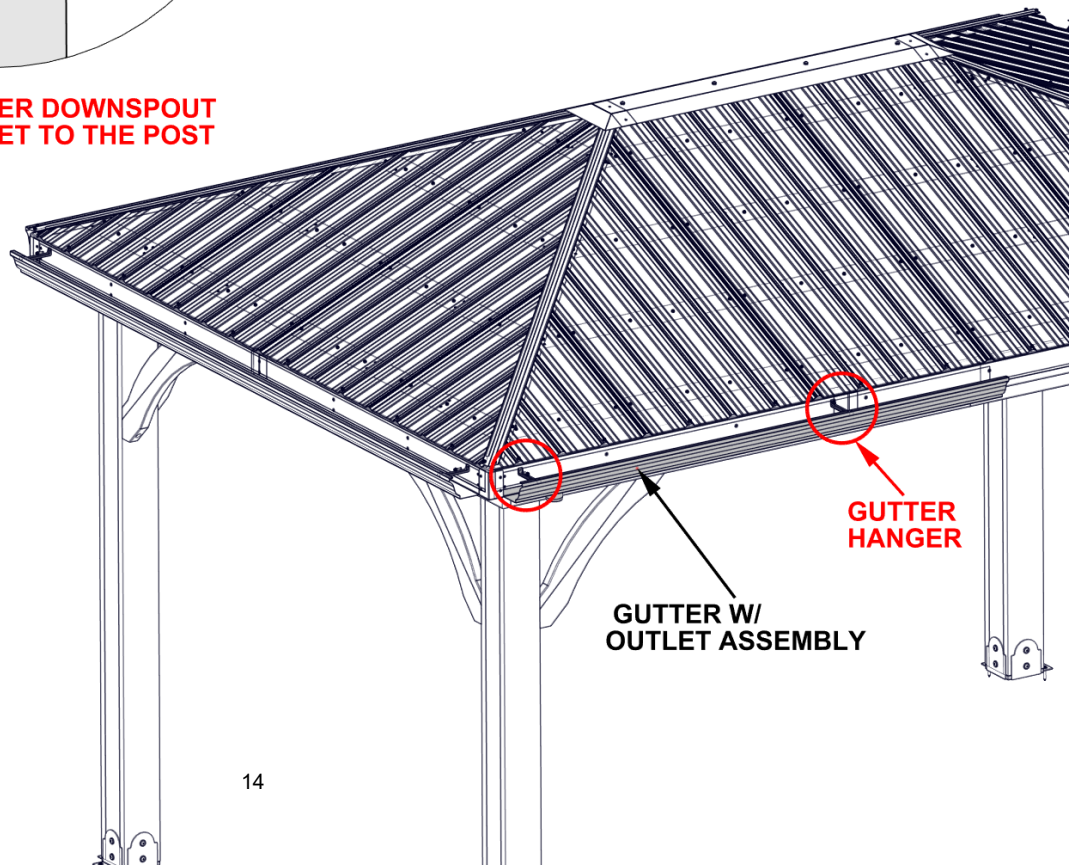


A4M04759 GUTTER HANGER (x2)

- SLIDE GUTTER ASSEMBLY UP UNDER EDGE TRIM AND FLUSH BOTTOM OF GUTTER WITH WOOD BOARD.
- FLUSH GUTTER UP TO METAL BRACKET.
- INSTALL THE FIRST GUTTER HANGER APPROXIMATELY 4" [100mm] FROM THE EDGE.
- INSTALL THE SECOND GUTTER HANGER AT THE 8TH ROOF RIB FROM THE EDGE.
- USE A CLAMP TO HOLD THE GUTTER TO WOODEN BEAM FOR ASSISTANCE.
- PRE-DRILL 1/8" [3mm] PILOT HOLES FOR EASE OF ASSEMBLY.

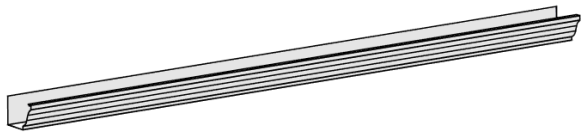


**CENTER DOWNSPOUT OUTLET TO THE POST**

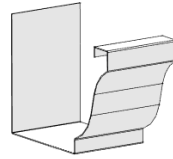


# STEP 8 - GUTTER ASSEMBLY

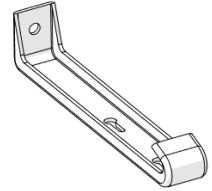
QTY	PART NUMBER	DESCRIPTION
2	H101480	SCREW SELF TAPPING #9x1 BLK



A4M06350 GUTTER  
(x1)

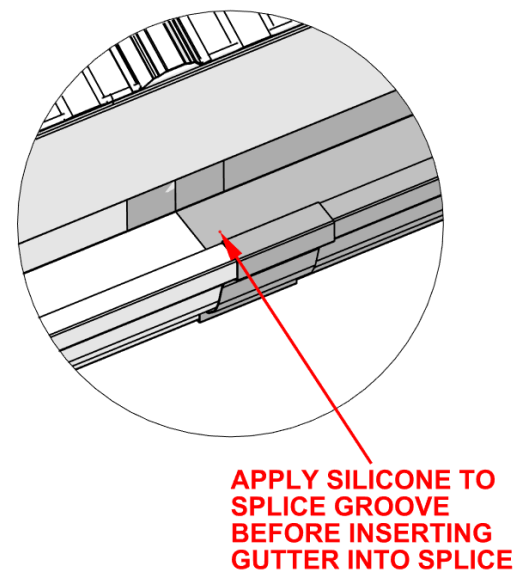
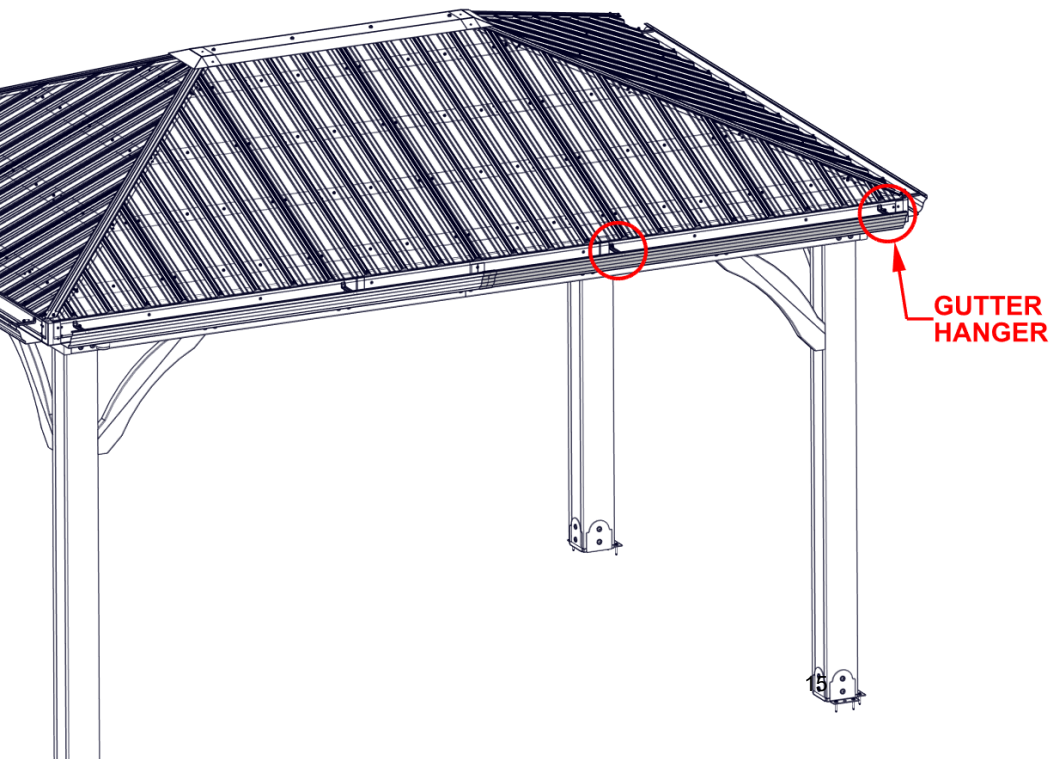
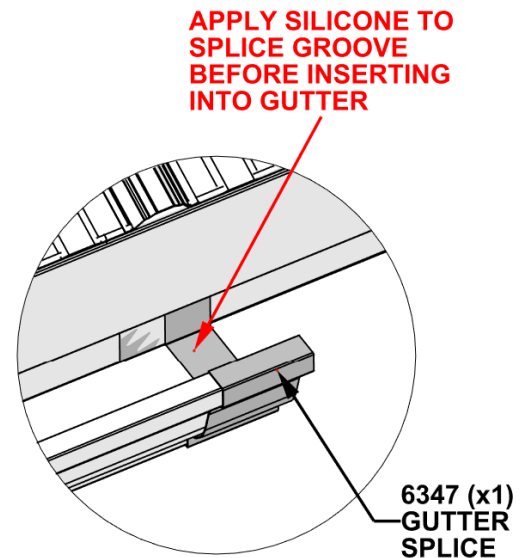
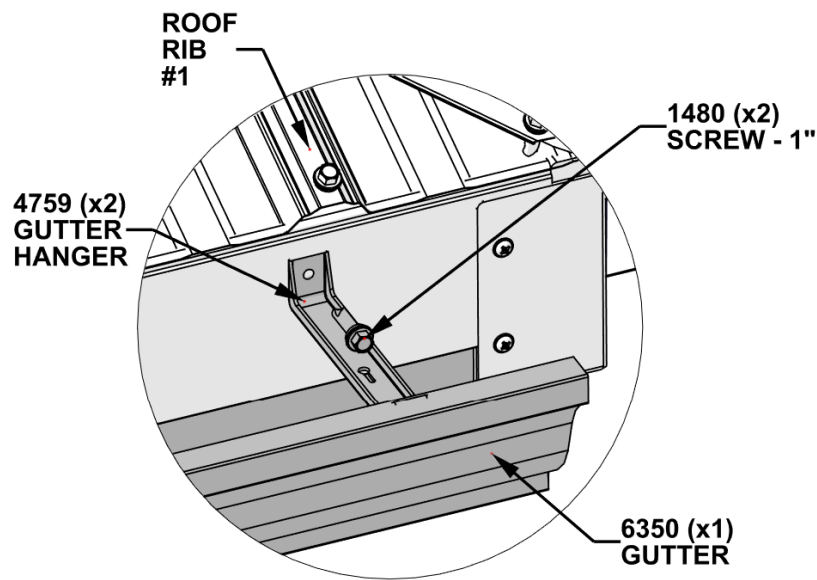


A4M06347 GUTTER SPLICE  
(x1)

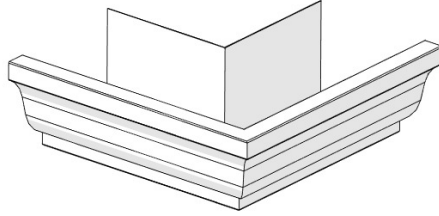


A4M04759 GUTTER HANGER  
(x2)

- SLIDE GUTTER ASSEMBLY UP UNDER EDGE TRIM AND FLUSH BOTTOM OF GUTTER WITH WOOD BOARD.
- INSTALL THE FIRST GUTTER HANGER APPROXIMATELY 4" [100mm] FROM THE EDGE.
- INSTALL THE SECOND GUTTER HANGER AT THE 8TH ROOF RIB FROM THE EDGE.
- USE A CLAMP TO HOLD THE GUTTER TO WOODEN BEAM FOR ASSISTANCE.
- PRE-DRILL 1/8" [3mm] PILOT HOLES FOR EASE OF ASSEMBLY.

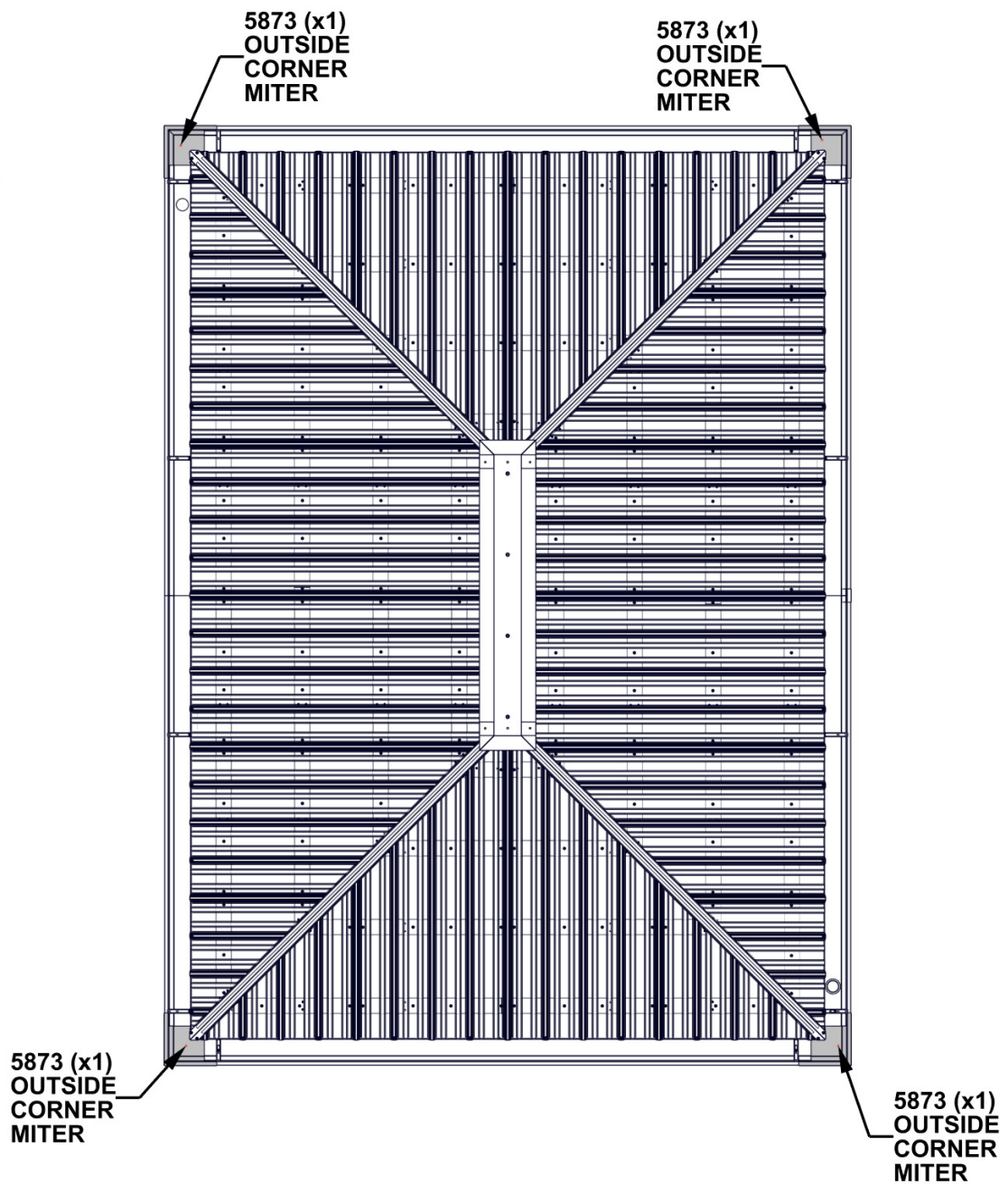
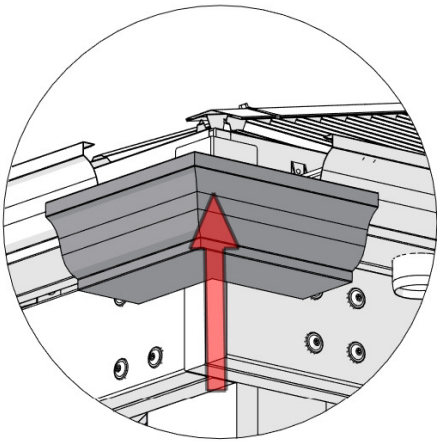


# STEP 9 - GUTTER ASSEMBLY



A4M05873 OUTSIDE CORNER MITER  
(x4)

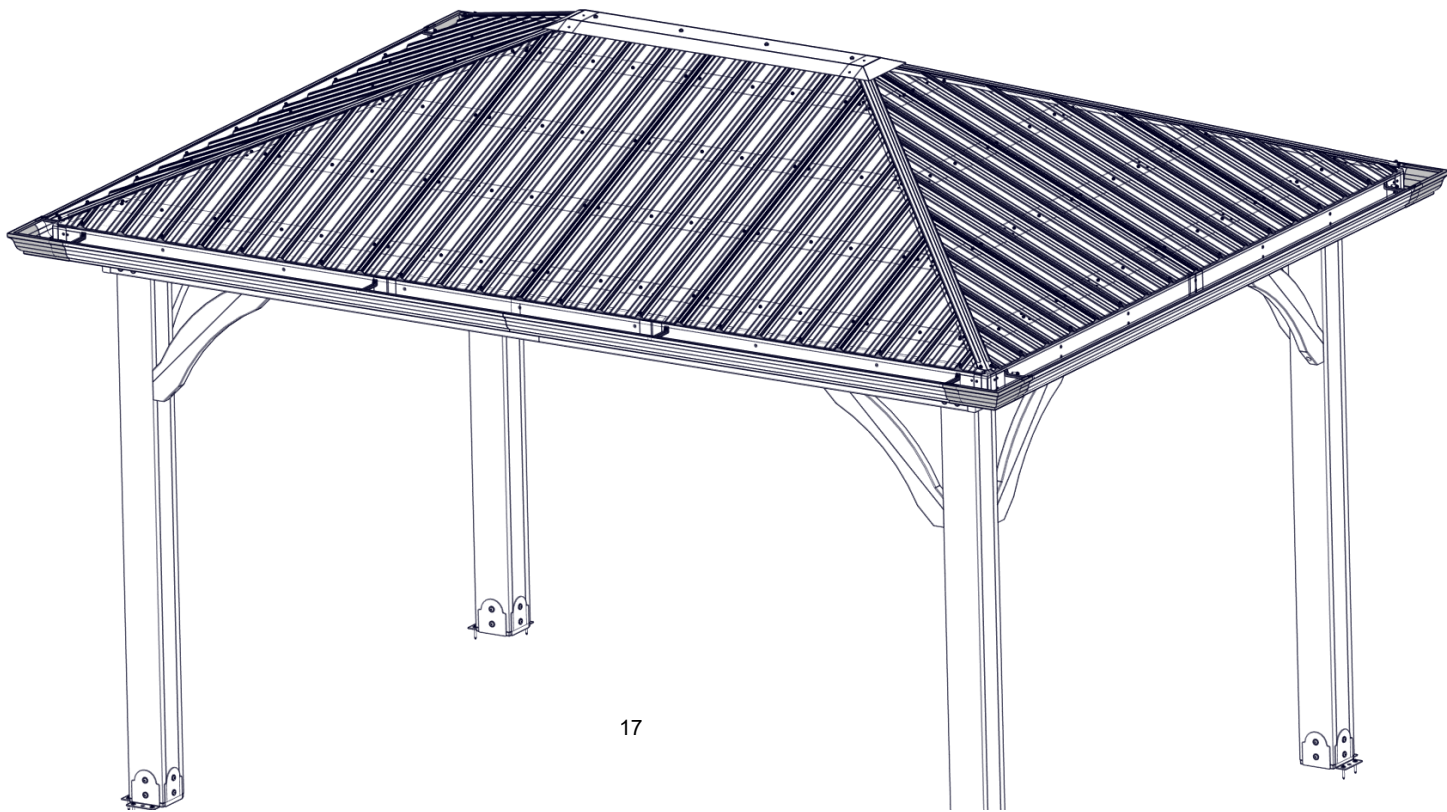
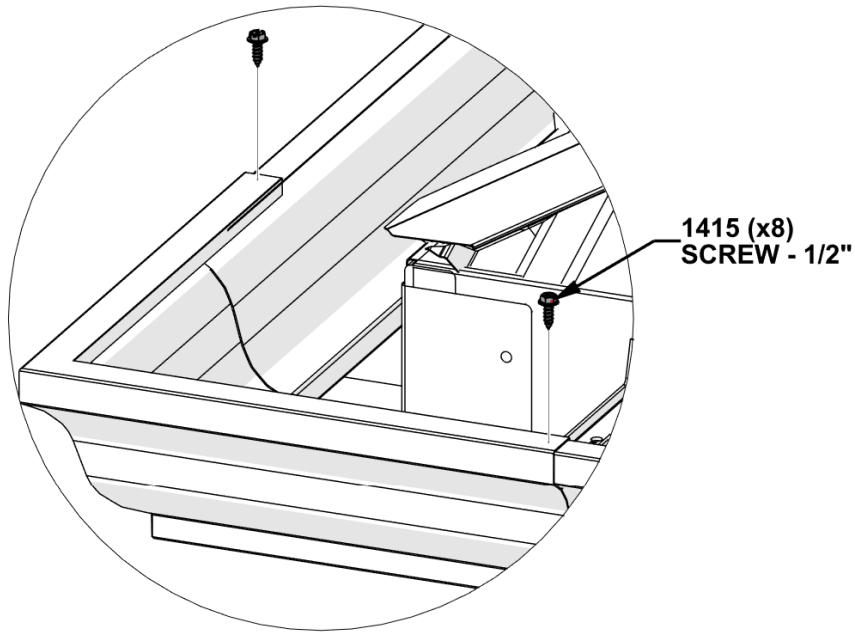
- SLIDE OUTSIDE CORNER MITERS OVER GUTTERS AND ENSURE MITER BOX IS SLID UP UNDER DRIP EDGE.
- COMPLETE ON ALL 4 CORNERS.



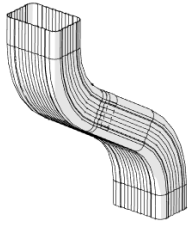
# STEP 10 - GUTTER ASSEMBLY

QTY	PART NUMBER	DESCRIPTION
8	H101415	SCREW SELF PIERCING #8x1/2 BRN

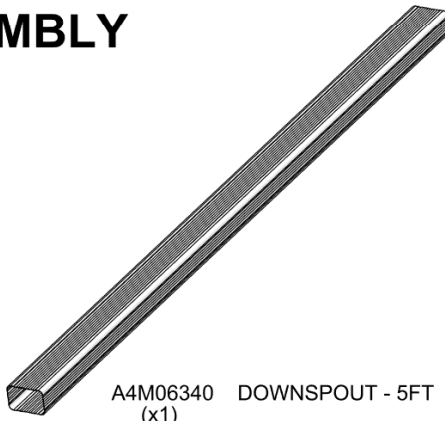
- SLIDE OUTSIDE CORNER MITERS OVER GUTTERS AND ENSURE MITER BOX IS SLID UP UNDER DRIP EDGE.
- COMPLETE ON ALL 4 CORNERS.



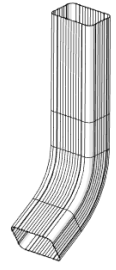
# STEP 11 - GUTTER ASSEMBLY



A4M05878 DOWNSPOUT OFFSET - 8"  
(x1)

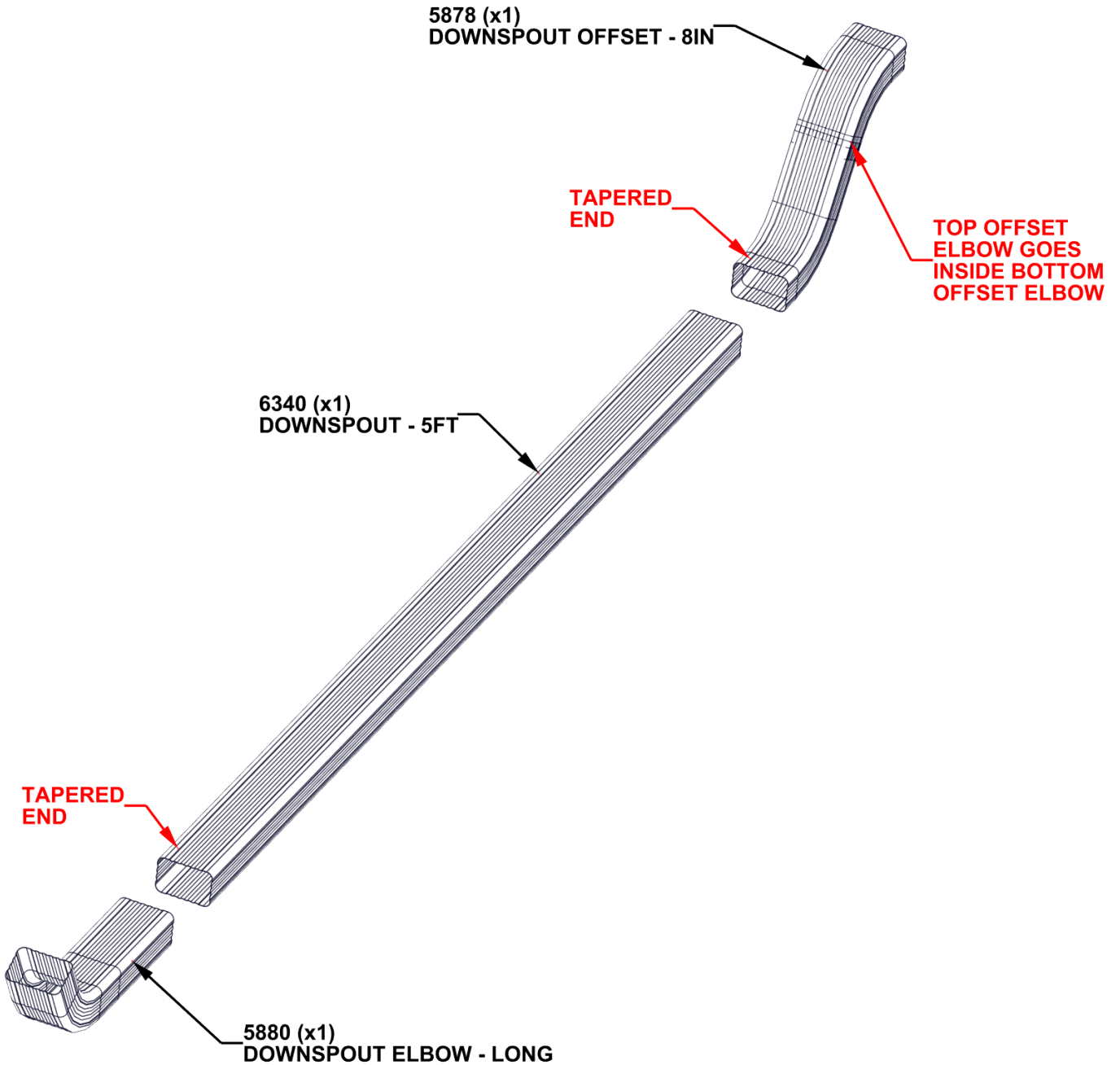


A4M06340 DOWNSPOUT - 5FT  
(x1)



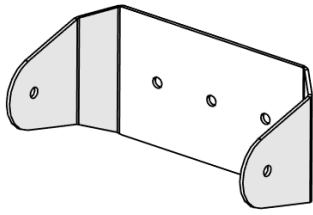
A4M05880 DOWNSPOUT ELBOW - LONG  
(x1)

- INSERT TAPERED ENDS INTO LARGER ENDS.
- NOTE ORIENTATION OF DOWNSPOUT OFFSET. SEE DOWNSPOUT OFFSET PAGE FOR DETAIL.
- COMPLETE THIS STEP TWICE.



# STEP 12 - GUTTER ASSEMBLY

QTY	PART NUMBER	DESCRIPTION
8	H101205	SCREW PWH 8x15x3/4 BLK

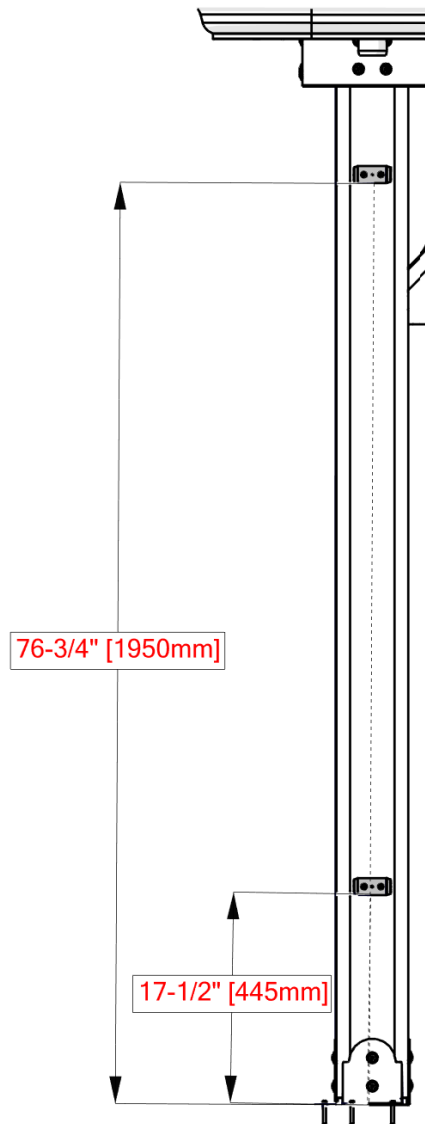
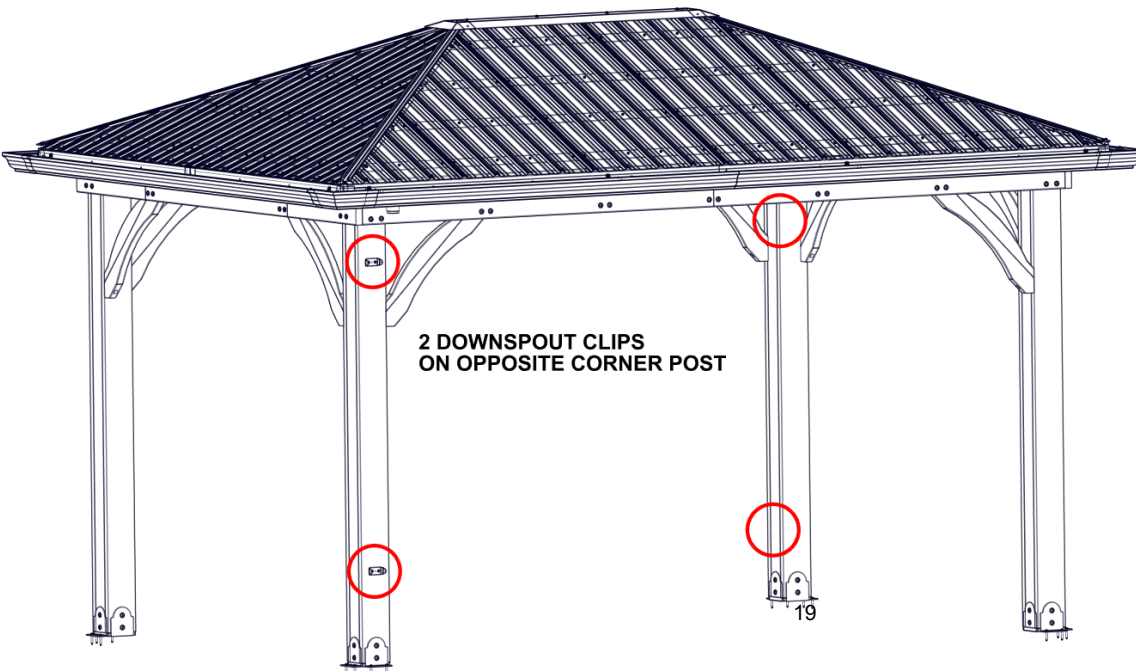
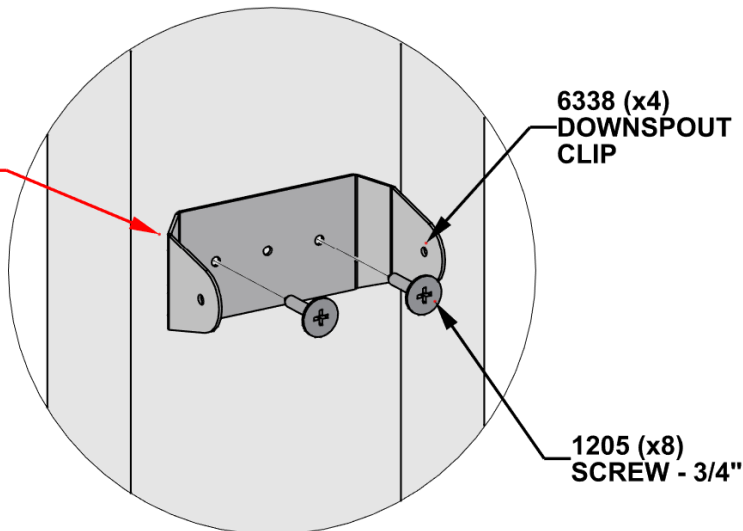


A4M06338 DOWNSPOUT CLIP  
(x4)

- IT IS IMPORTANT TO CENTER 6338 CLIP AND HARDWARE ON POST.
- COMPLETE THIS STEP ON BOTH POSTS WHERE DOWNSPOUTS WILL BE LOCATED.

**ATTENTION:**  
IF MOSQUITO NETTING IS ATTACHED, ZIP NETTING TOGETHER TO ENSURE IT CLOSURES COMPLETELY AND IS PULLED TIGHTLY, THEN FASTEN CLIP ON TOP OF NETTING.

**NETTING MUST BE BETWEEN THE POST AND THE DOWNSPOUT CLIP**



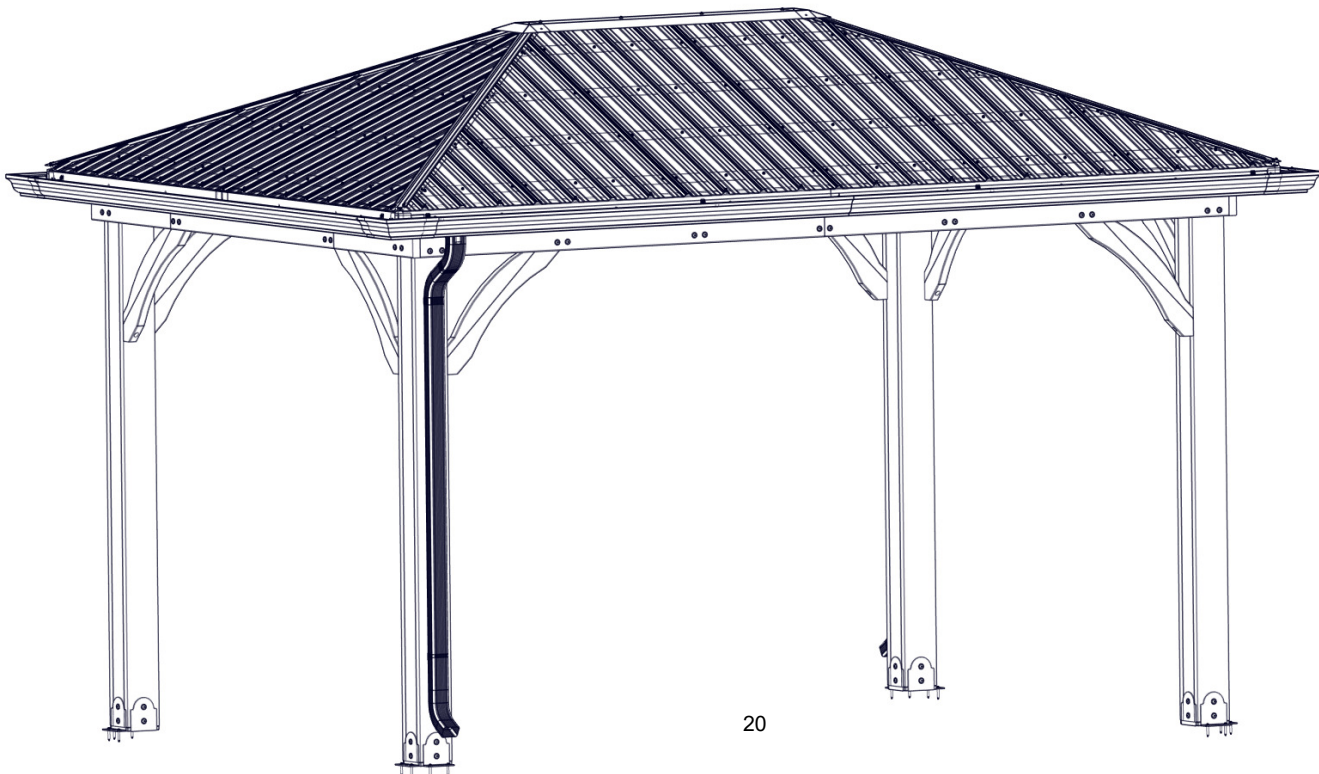
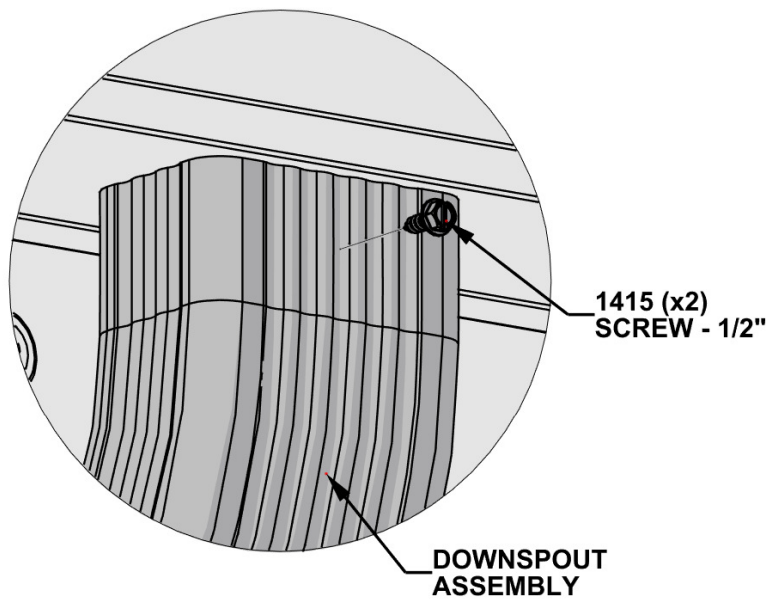
# STEP 13 - GUTTER ASSEMBLY



DOWNSPOUT ASSEMBLY - STEP 11  
(x2)

QTY	PART NUMBER	DESCRIPTION
2	H101415	SCREW SELF PIERCING #8x1/2 BRN

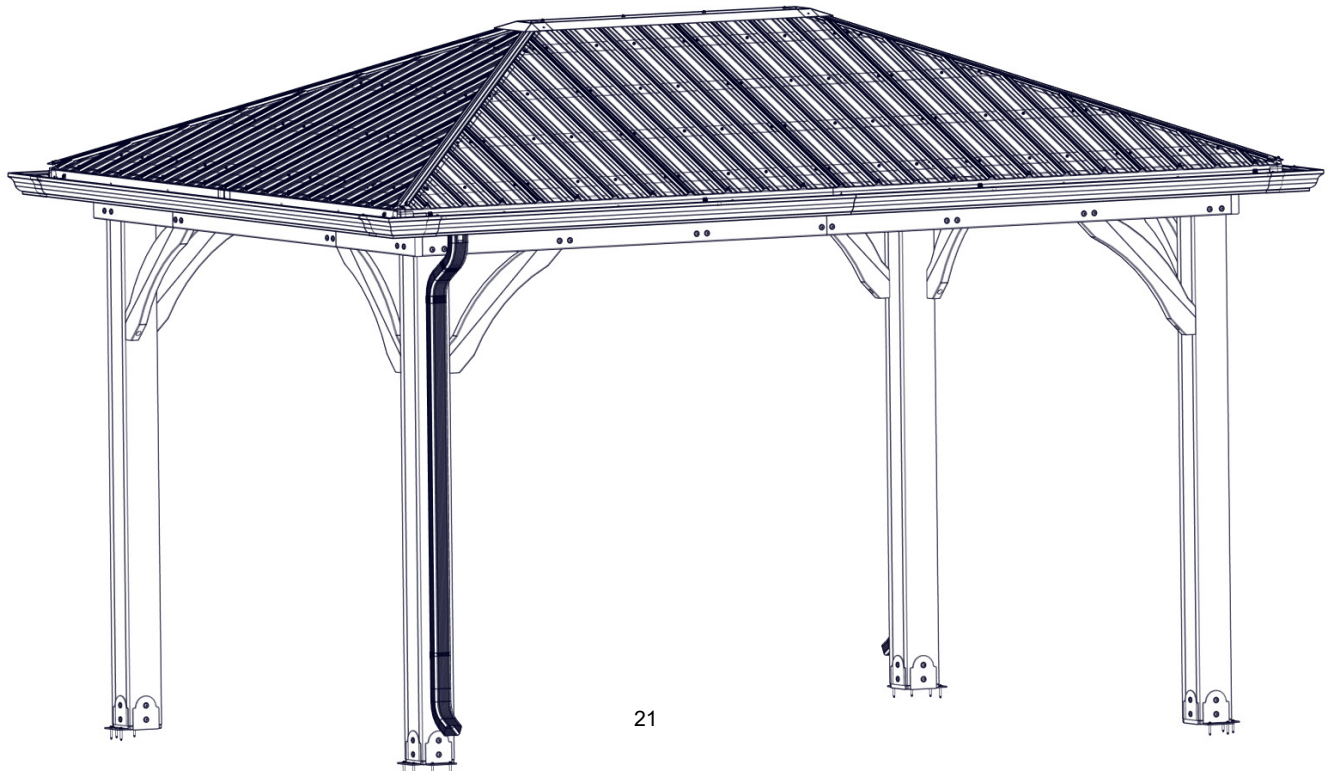
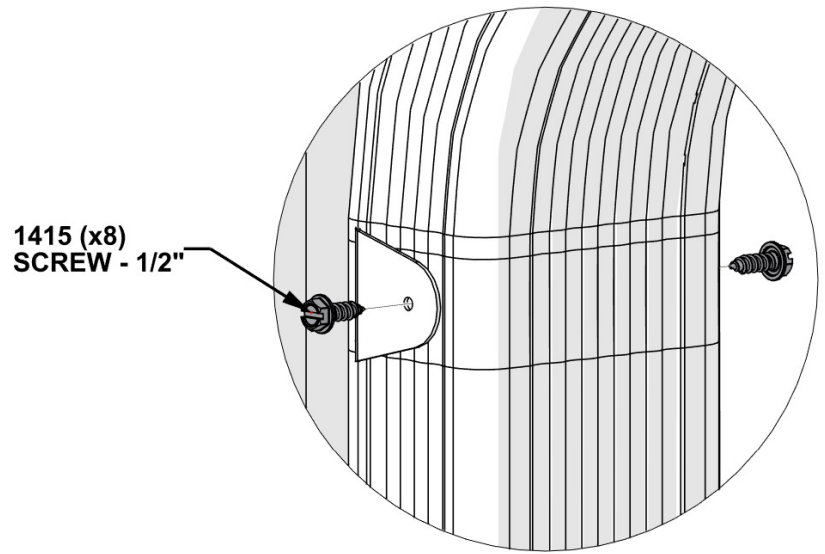
- FASTEN DOWNSPOUT TO DOWNSPOUT OUTLETS USING HARDWARE PROVIDED.
- COMPLETE THIS STEP AT BOTH CORNERS.
- DOWNSPOUT WILL NOT REST ON THE GROUND, THERE WILL BE FLOATING SPACE.



# STEP 14 - GUTTER ASSEMBLY

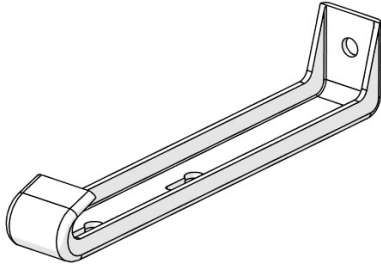
QTY	PART NUMBER	DESCRIPTION
8	H101415	SCREW SELF PIERCING #8x1/2 BRN

- FASTEN DOWNSPOUT CLIP TO DOWNSPOUT.
- COMPLETE THIS STEP AT BOTH DOWNSPOUTS.

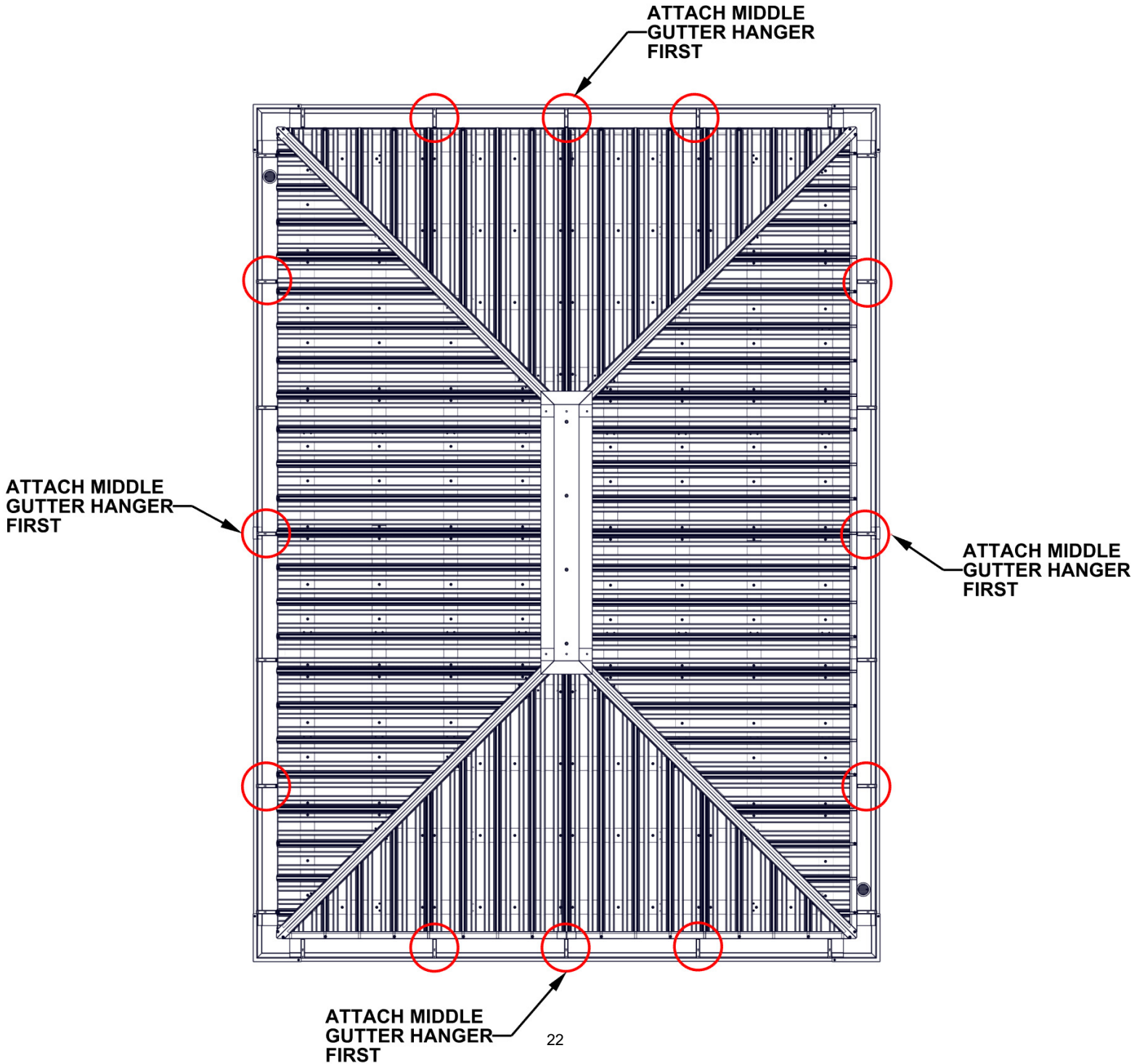


# STEP 15 - GUTTER ASSEMBLY

QTY	PART NUMBER	DESCRIPTION
12	H101480	SCREW SELF TAPPING #9x1 BLK



- ATTACH ALL REMAINING GUTTER HANGERS.
- IT IS RECOMMENDED TO ATTACH THE MIDDLE HANGER FIRST, THEN EVENLY SPACE AND ATTACH THE REMAINING HANGERS.



# STEP 16 - GUTTER ASSEMBLY

## CRITICAL:

AFTER HARDWARE AND GUTTERS ARE INSTALLED, IT IS IMPORTANT THAT A HEALTHY BEAD OF SILICONE IS WORKED INTO THE OVERLAPPING JOINTS CIRCLED IN RED. THE RED LINES INDICATE THE SPLICE JOINTS THAT NEED TO BE CAULKED TO AVOID LEAKING. MAKE SURE SILICONE IS APPLIED TO THE CURVED SURFACES OF GUTTERING AS WELL.

