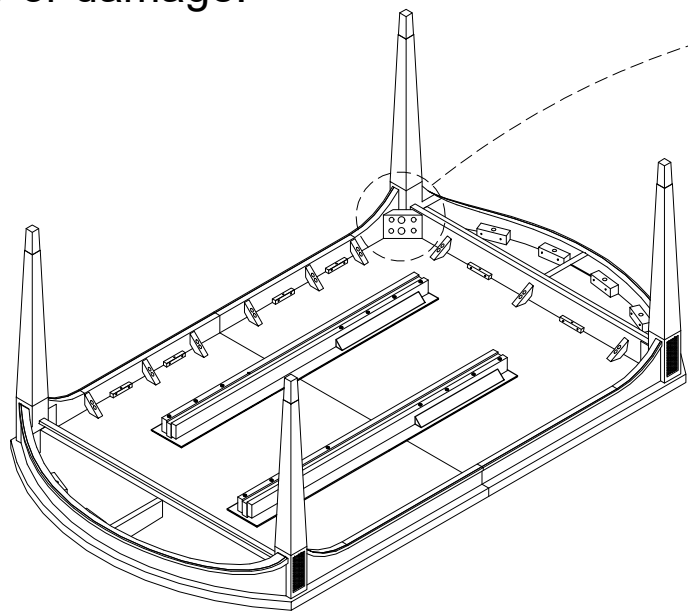
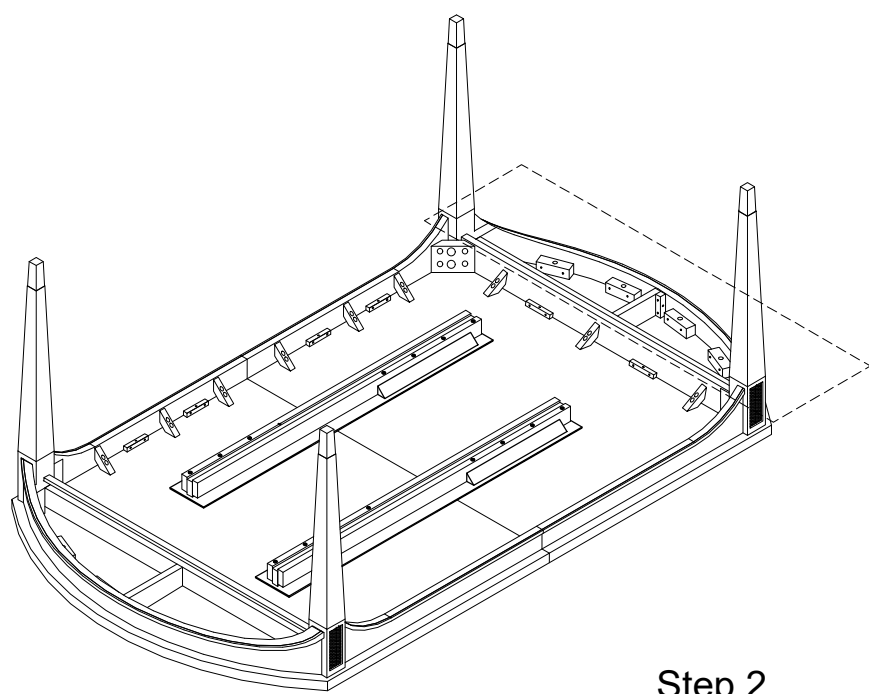
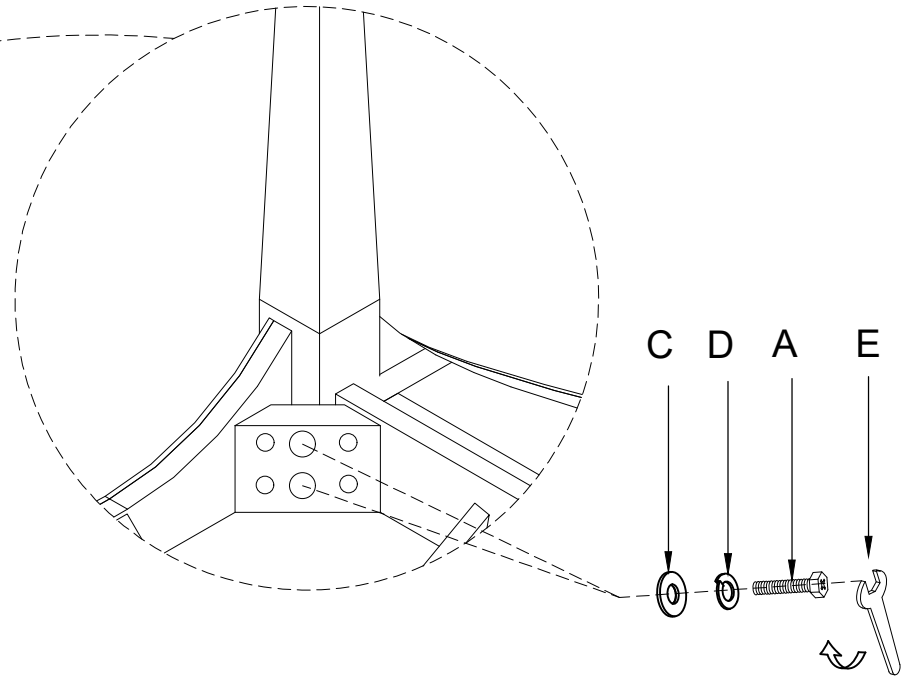


Thank you for purchasing this quality product from A.R.T. Furniture. Be sure to check all packing material for parts which may have come loose inside the carton during shipment. Identify and count all parts and compare with the parts list below.

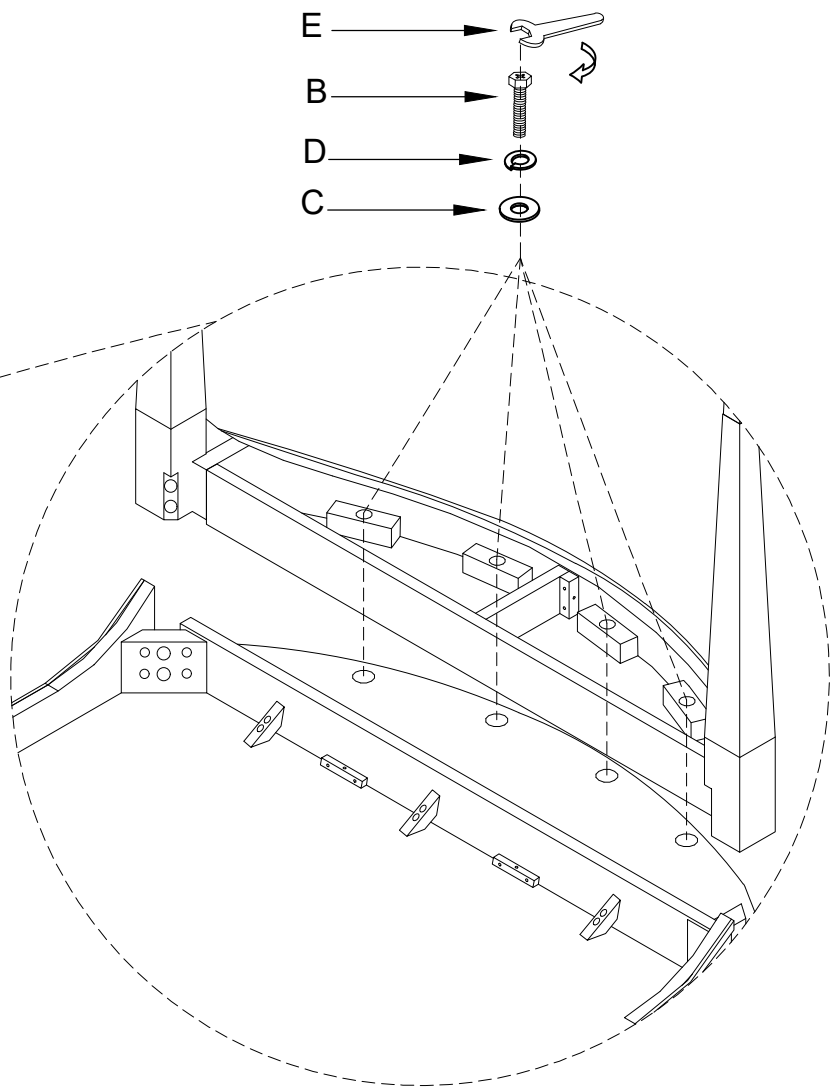
Note: Some furniture is heavy, it is recommended that two people assembly this item to avoid injury or damage.






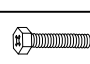
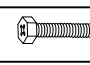

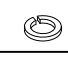

Step 1



Step 2



PARTS LIST:			
No.	Description	Sketch	Q'ty
1	Table Top		1
2	Adjustable panel		2
3	Table leg		2

HARDWARE LIST:			
No.	Drawing	Description	Q'ty
A		5/16" x2-1/2" Bolt	8
B		5/16" x2" Bolt	8
C		5/16" xØ19x2 Flat washer	16
D		5/16" xØ12x3 Lock washer	16
E		12mm Hex wrench	1

Thank you for purchasing this quality product from A.R.T. Furniture. Be sure to check all packing material for parts which may have come loose inside the carton during shipment. Identify and count all parts and compare with the parts list below.

Note: Some furniture is heavy, it is recommended that two people assembly this item to avoid injury or damage.

