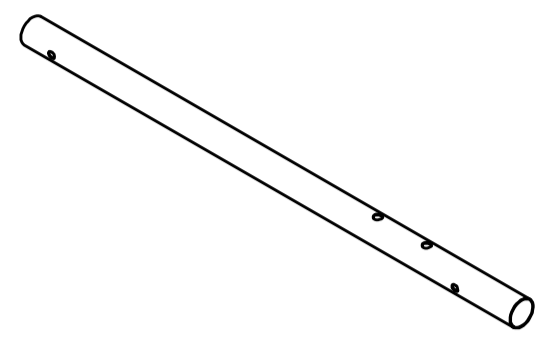
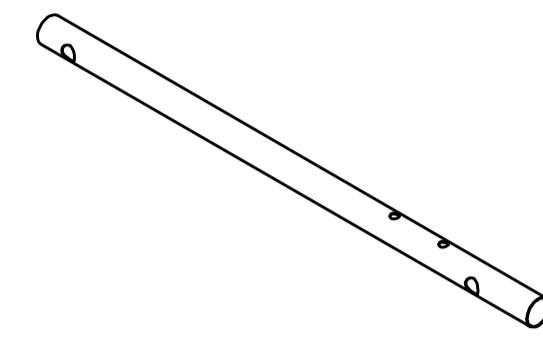
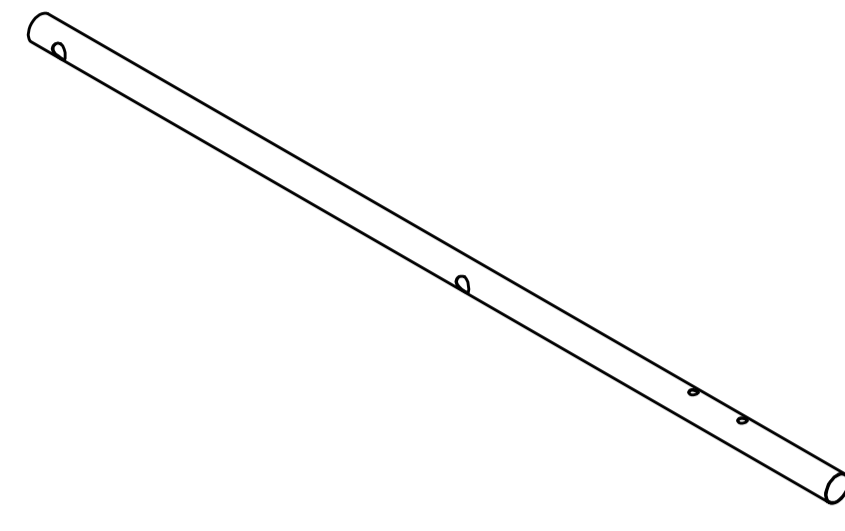
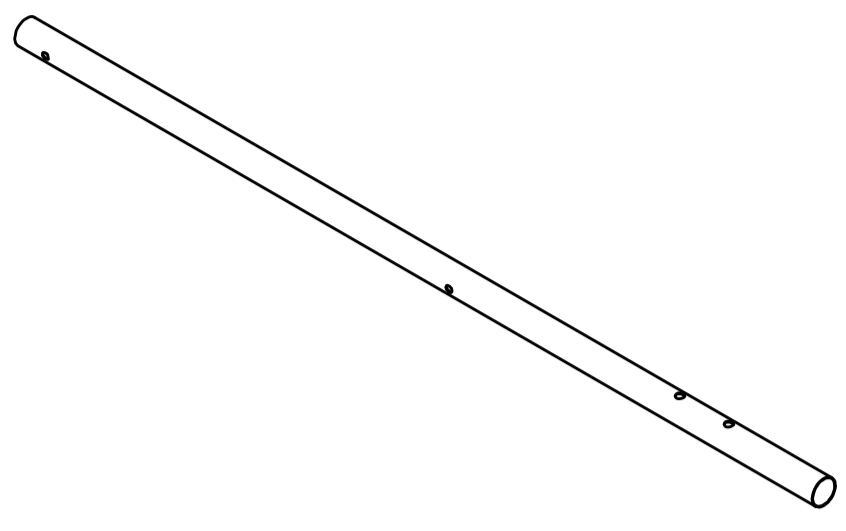


ASSEMBLY INSTRUCTION

QUEEN METAL BED WITH DOUBLE X HB / FB

A LSF Headboard Post **B** RSF Headboard Post **C** LSF Footboard Post **D** RSF Footboard Post



1PC

1PC

1PC

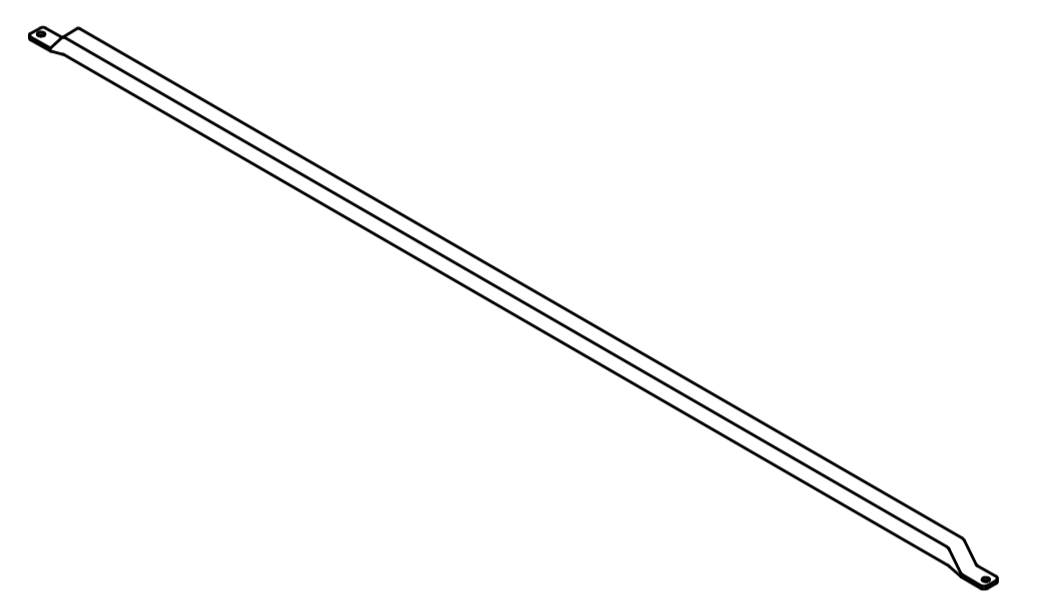
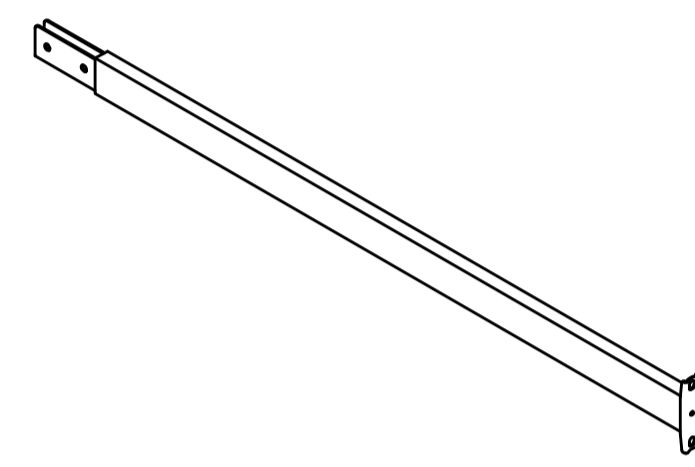
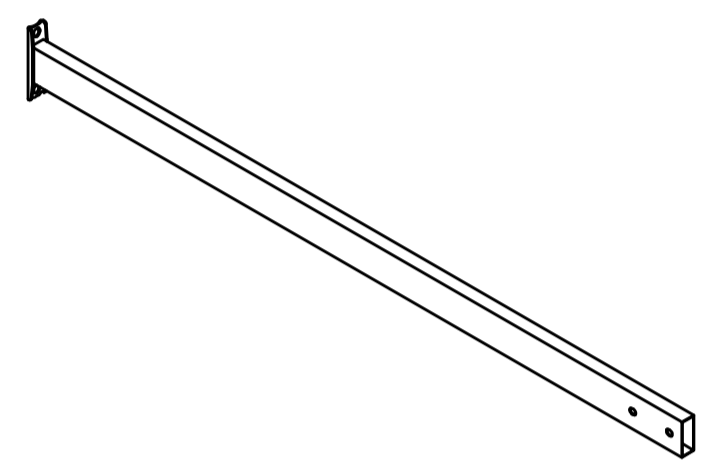
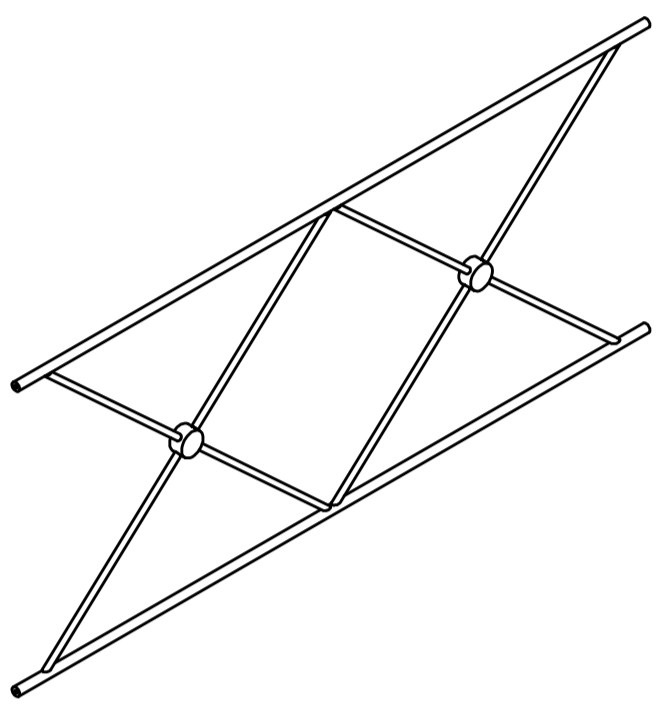
1PC

E Headboard /
Footboard

F Rail Section (1)

G Rail Section (2)

H Front / Rear Support
Bar



2PCS

2PCS

2PCS

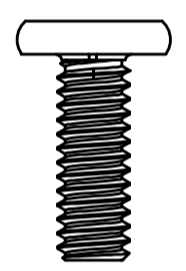
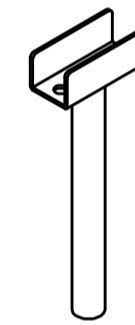
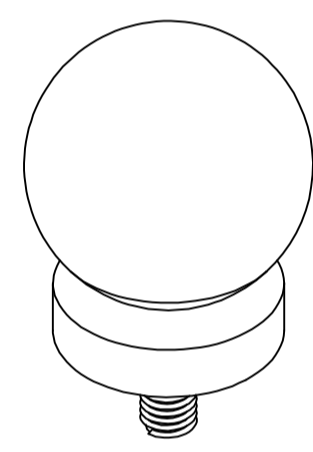
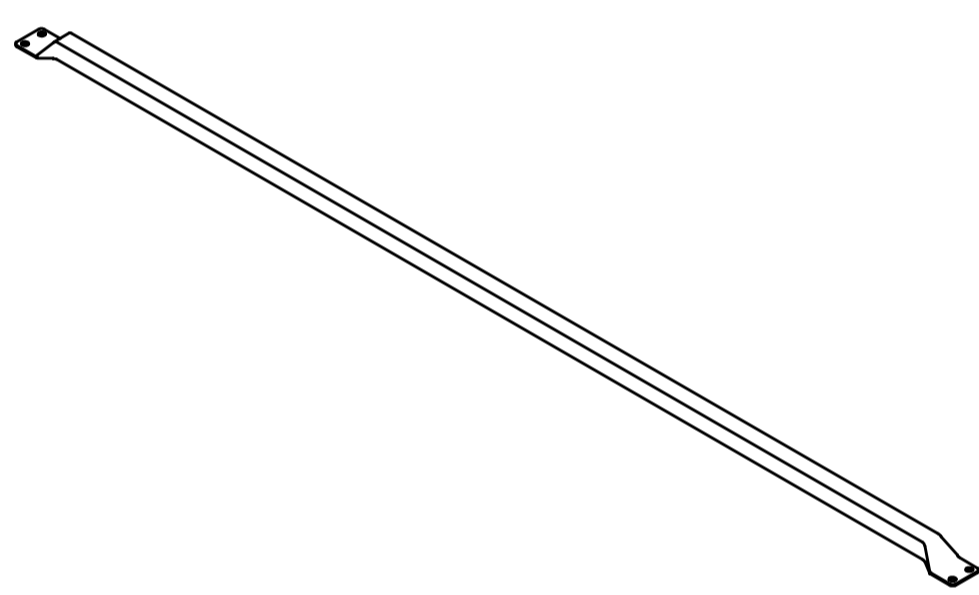
2PCS

I Center Support Bar

J Finial

K Support Leg

L Bolt
1/4"*17.5mm



1PC

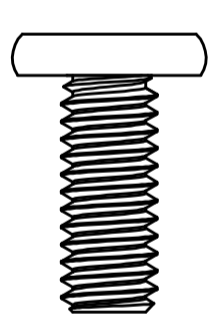
4PCS

4PCS

20PCS

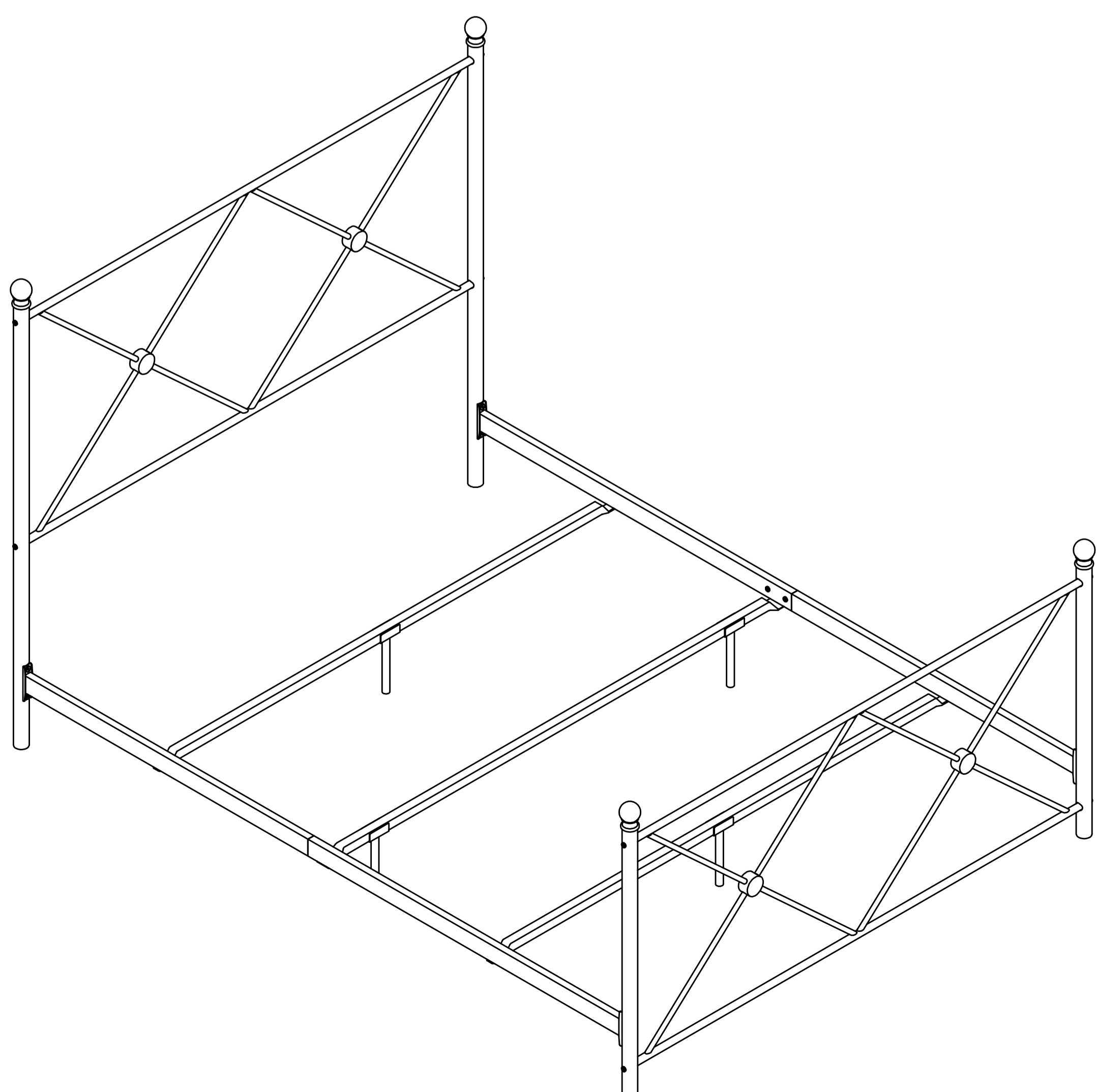
M Bolt
5/16"*19mm

N L-Allen Key
4mm



16PCS

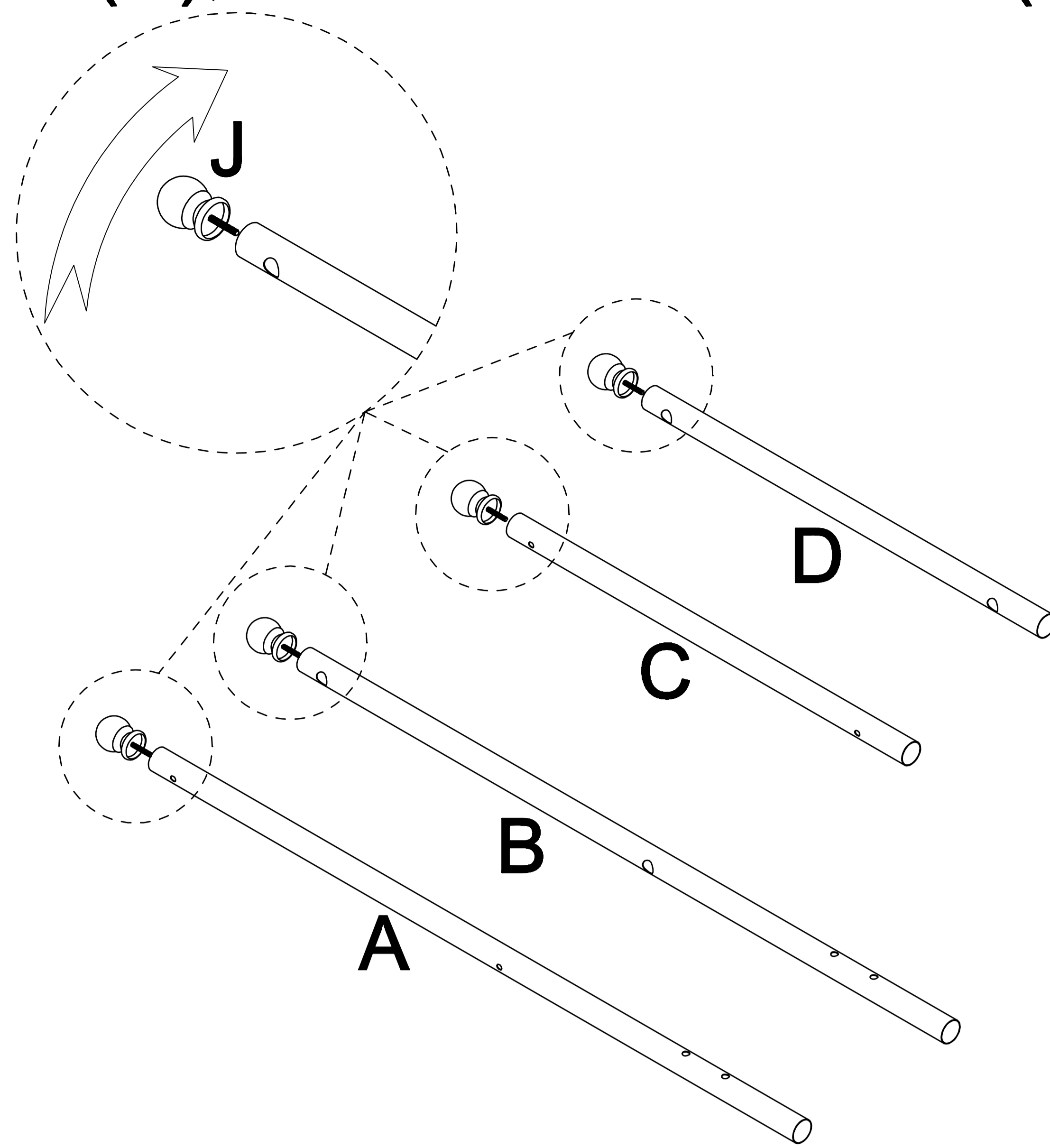
1PC



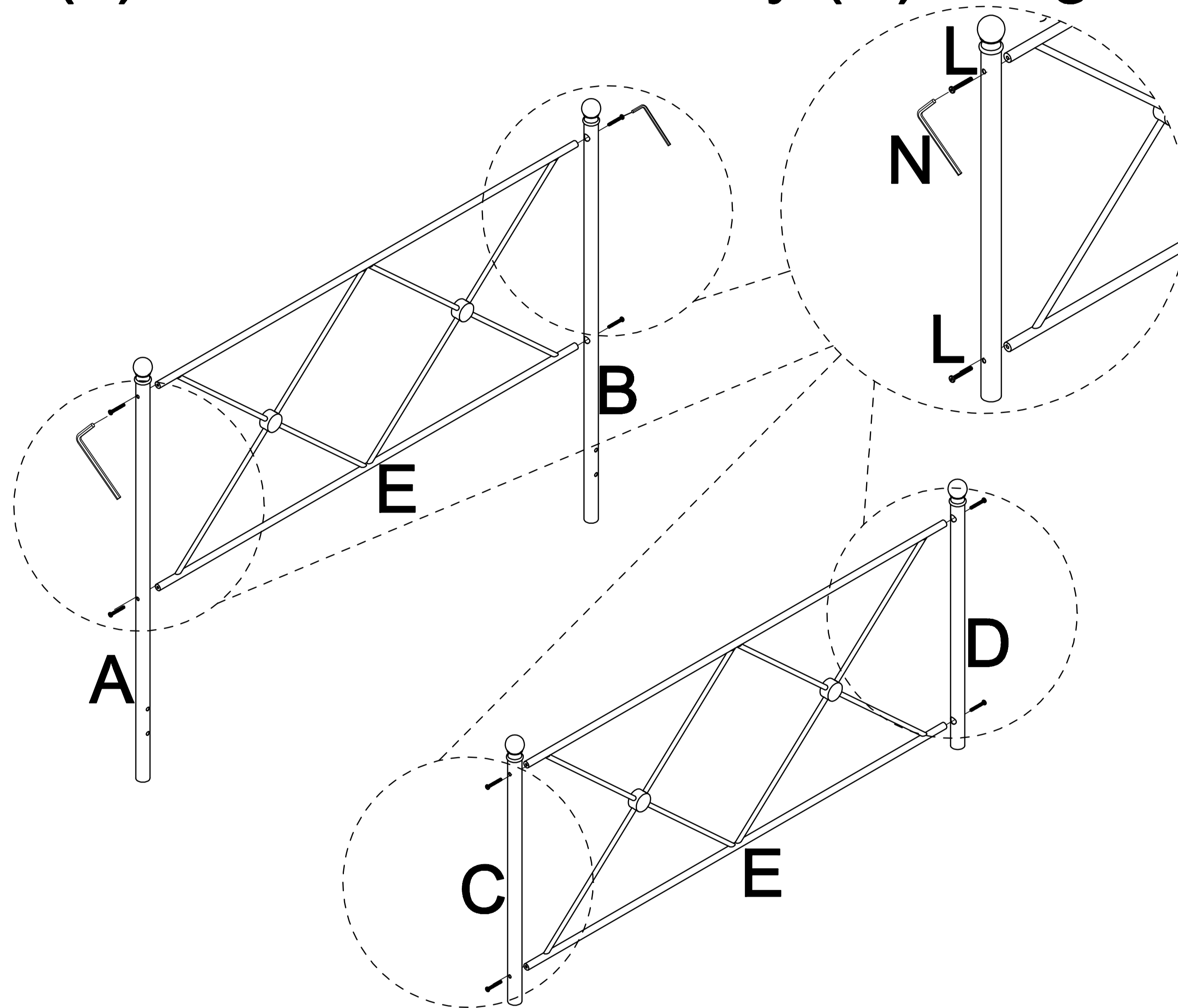
This page lists all the contents included in the box. Please take the time to identify the hardware as well as the individual components to this product. As you unpack and prepare for assembly, place the contents on a carpeted or padded area to protect them from damage.

1

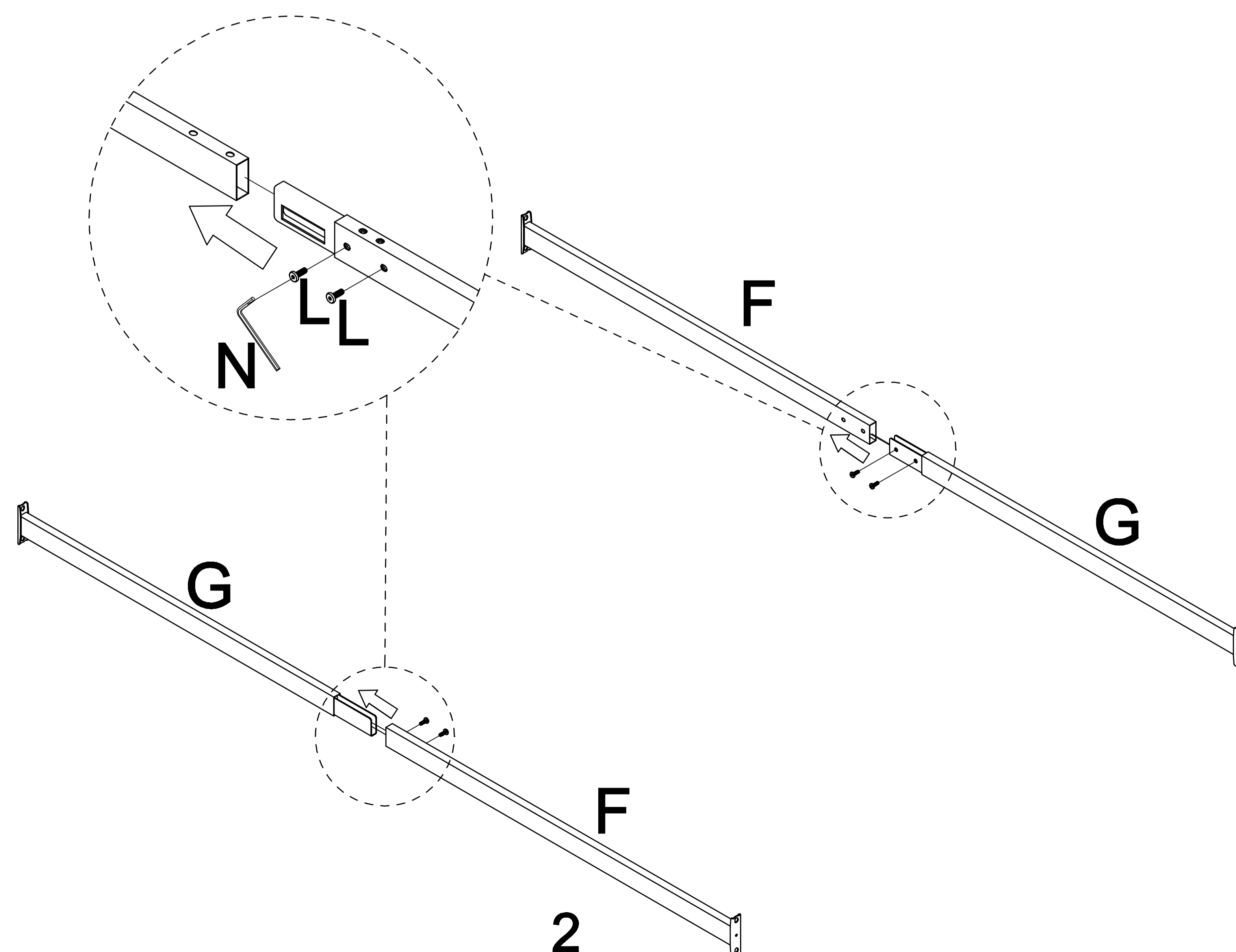
Align the Finial (J) to LSF Headboard Post (A), RSF Headboard Post (B), LSF Footboard Post (C), RSF Footboard Post (D), then tighten them.

**2**

Attach the Headboard / Footboard (E) to the Posts (A), (B), (C), and (D), insert the Bolt (L), turn the L-Allen Key (N) to tighten them.

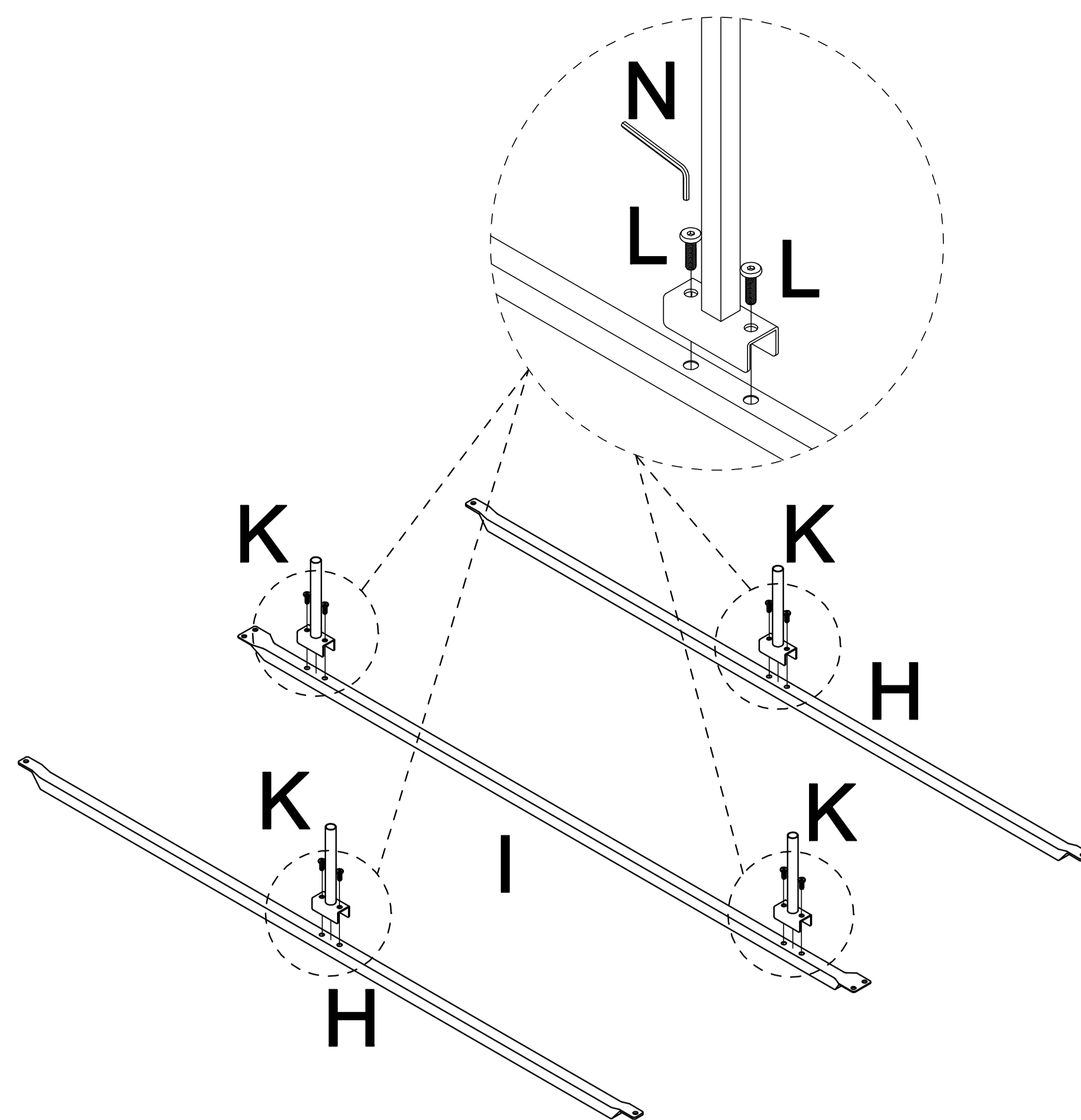
**3**

Insert the Rail Section (2) (G) into the Rail Section (1) (F), and then insert the Bolt (L), turn the L-Allen Key (N) to tighten them.

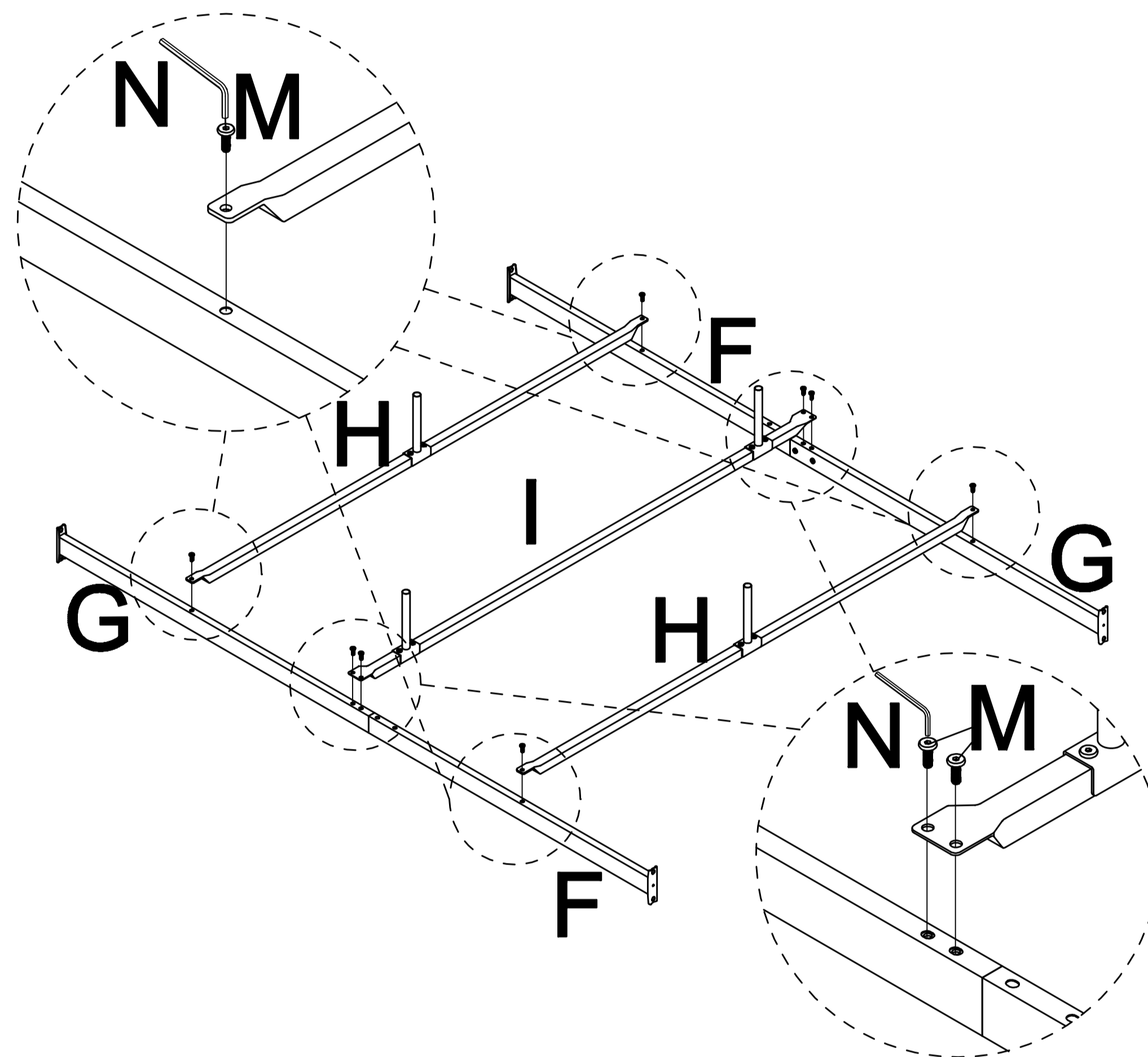


4

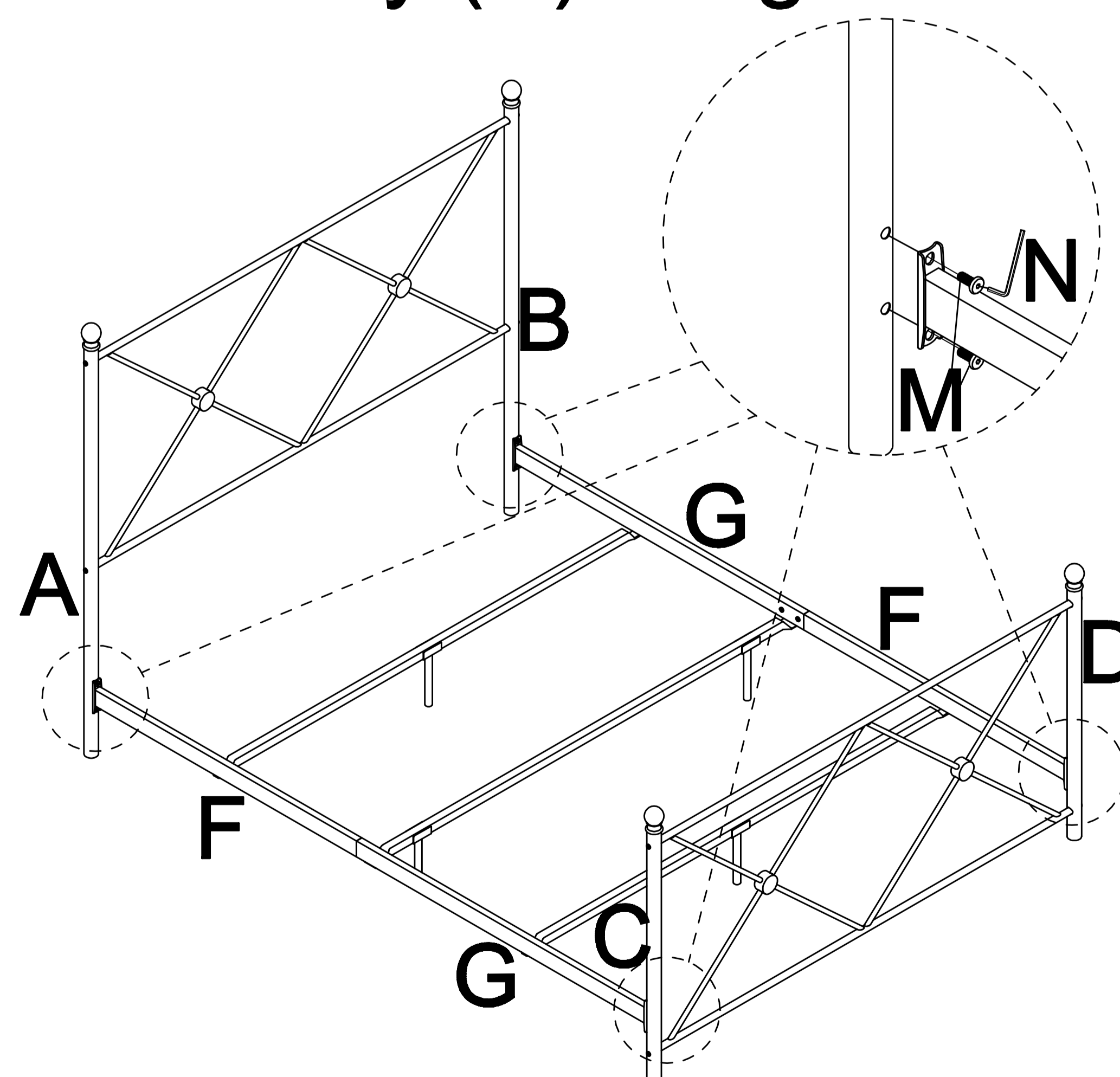
Attach the Support Leg (K) to the Front / Rear Support Bar (H) and Center Support Bar (I), insert the Bolt (L), turn the L-Allen Key (N) to tighten them.

**5**

Attach the Front / Rear Support Bar (H) and Center Support Bar (I) to the Rails (F) & (G), insert the Bolt (M), turn the L-Allen Key (N) to tighten them.

**6**

Attach the Rails (F) & (G) to the Posts (A), (B), (C), and (D), insert the Bolt (M), turn the L-Allen Key (N) to tighten them.

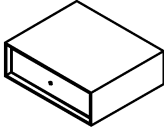
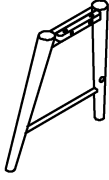
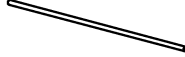
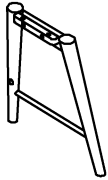






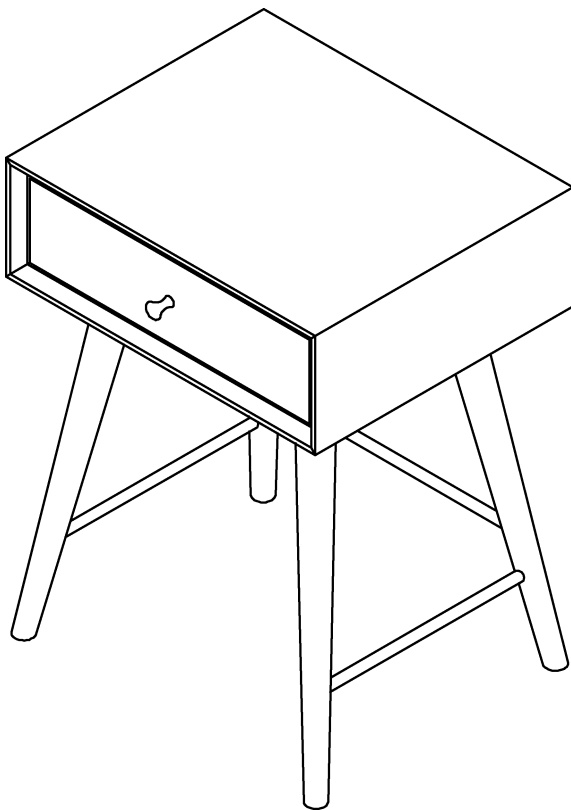
Cleaning & Care

Treat surface with care. Surface is resistant to scratches but is not scratch resistant. Clean surfaces with a dry or damp soft cloth. Do not use abrasive cleaners. Hardware may loosen over time. Periodically check that all connections are tight.

ASSEMBLY INSTRUCTION

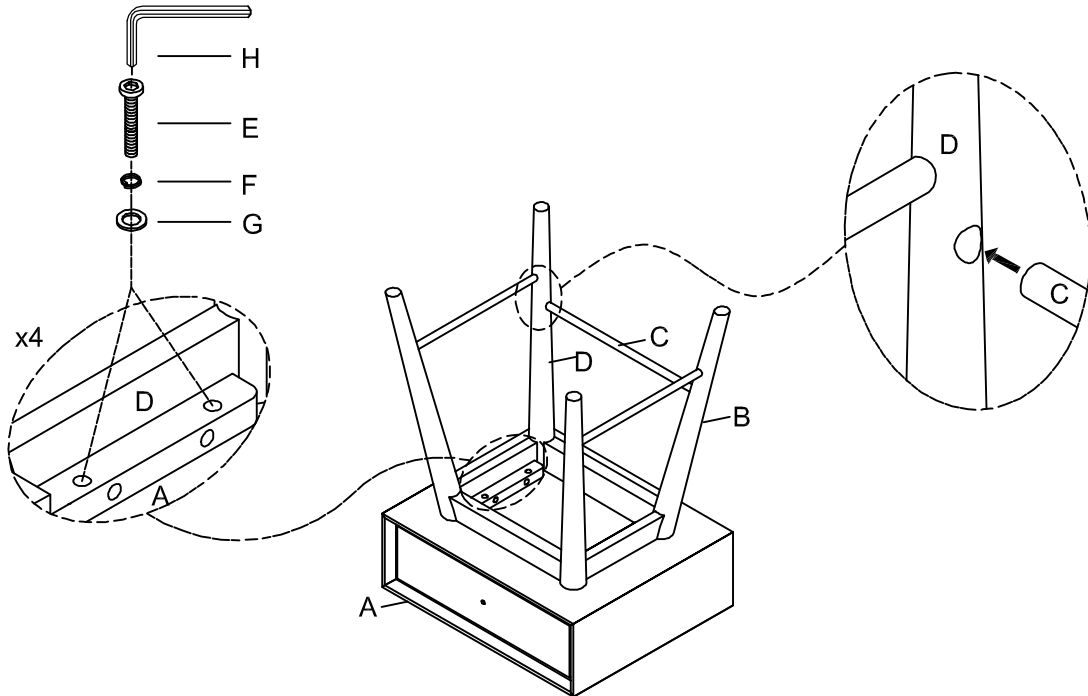
END TABLE

A Table Top  1PC	B Leg Frame (Left)  1PC	C Cross Bar  1PC	D Leg Frame (Right)  1PC
E Bolt Ø1/4"x1-1/2"  4PCS	F Lock Washer Ø1/4"  4PCS	G Flat Washer Ø1/4"  4PCS	H Allen Key 4mm  1PC

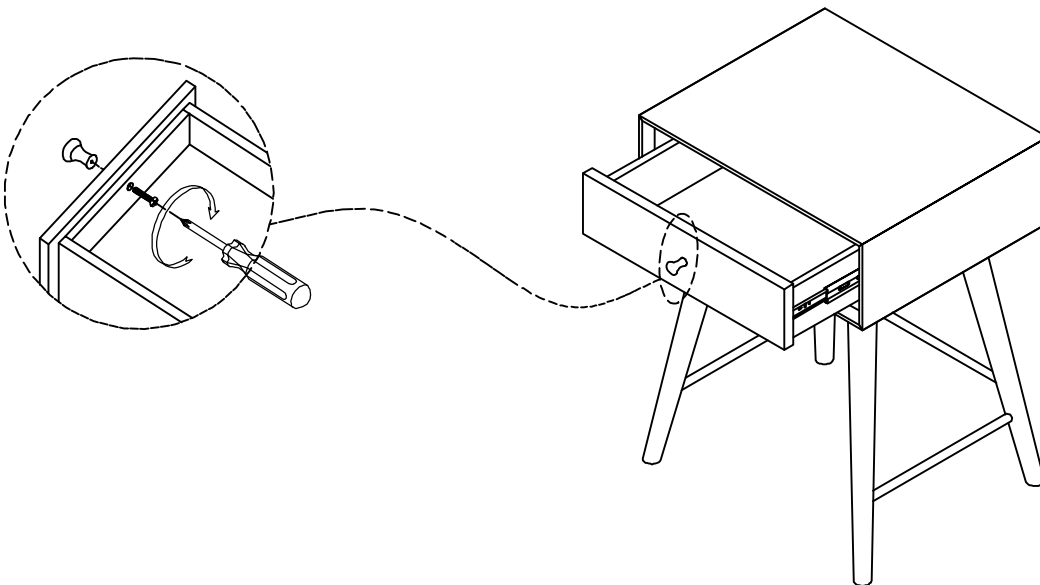


This page lists all the contents included in the box. Please take the time to identify the hardware as well as the individual components to this product. As you unpack and prepare for assembly, place the contents on a carpeted or padded area to protect them from damage.

- 1** Attach the Leg Frame (B/D) to the Table Top (A) by using Flat Washer (G), Lock Washer (F) and Bolt (E) with Allen Key (H), and insert the Cross Bar (C) to the attached Leg Frame (B/D).



- 2** Remove the Knob from the inside of the Drawer and then attach the Knob to the Drawer.



Cleaning & Care

Treat surface with care. Surface is resistant to scratches but is not scratch resistant. Clean surfaces with a dry or damp soft cloth. Do not use abrasive cleaners. Hardware may loosen over time. Periodically check that all connections are tight.