



KidKraft[®]

Live • Learn • Play

© 2010 KidKraft, LP

Deluxe Big & Bright Kitchen

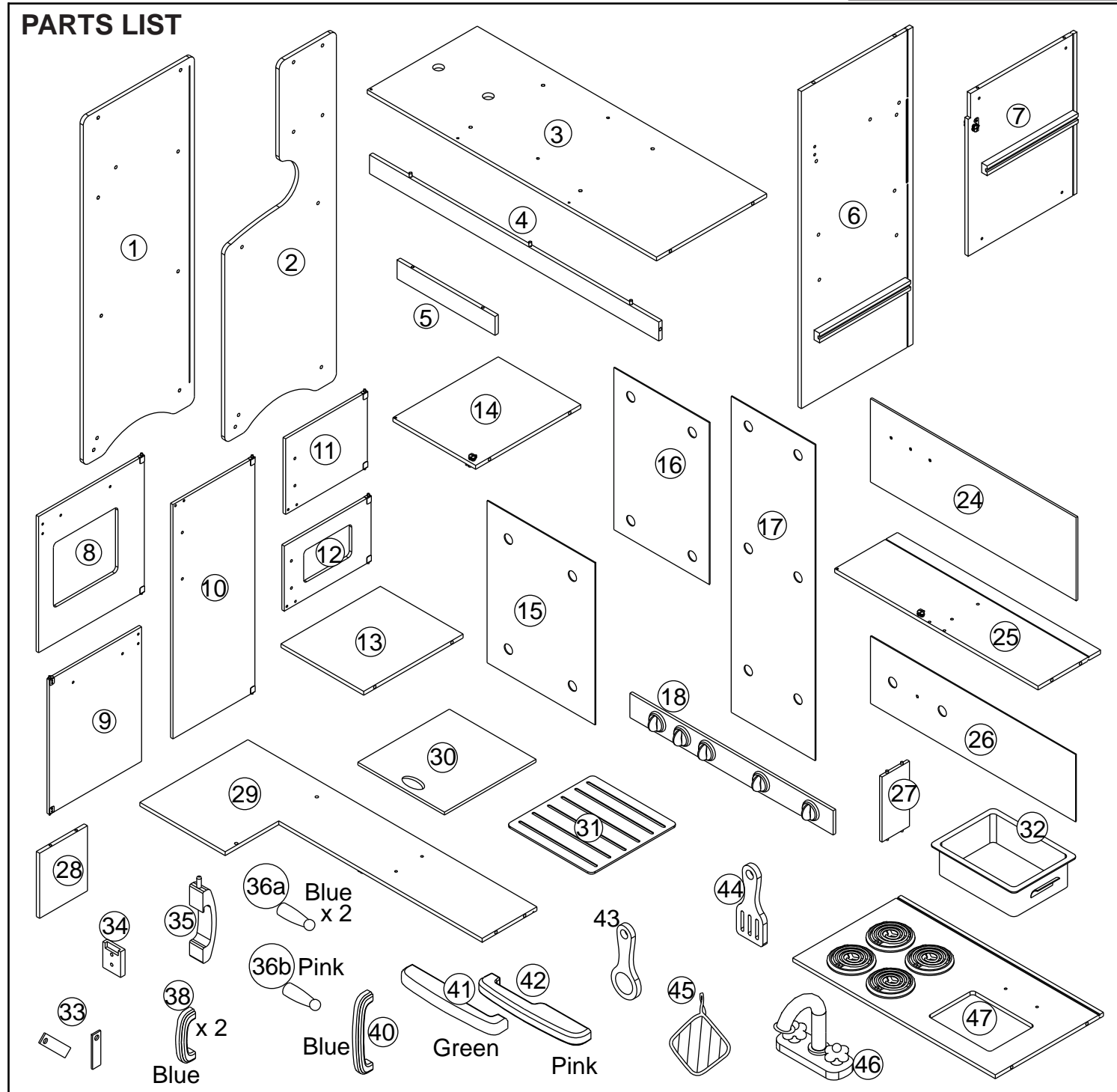
Item #53100B

Please retain this information for future reference

Assembly Instructions

To order replacement parts, please visit www.kidkraft.com

PARTS LIST



CAUTION:
ADULT ASSEMBLY REQUIRED. Hardware contains small screws with sharp points. Keep unassembled parts out of the reach of small children.

WARNING:
CHOKING HAZARD. Small parts and sharp points, not suitable for children under 3 years.

WARNING:
If used improperly, your kitchen may be pulled over or fall, creating risk of injury or damage. To minimize this risk, we recommend that you use the enclosed wall anchor kit, which gives you the option of attaching the kitchen to a wall. In addition, children should not be permitted to climb or pull on the kitchen.

USE AND MAINTENANCE:
-Use on level surfaces only
-Please check assembly at regular intervals, and frequently tighten hardware if necessary. If maintenance is not carried out, the product could cease to function properly.

Customer Service
1-800-933-0771
www.kidkraft.com





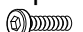





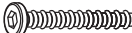







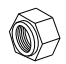


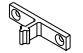

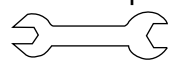
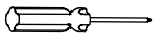
Deluxe Big & Bright Kitchen

Assembly Instructions

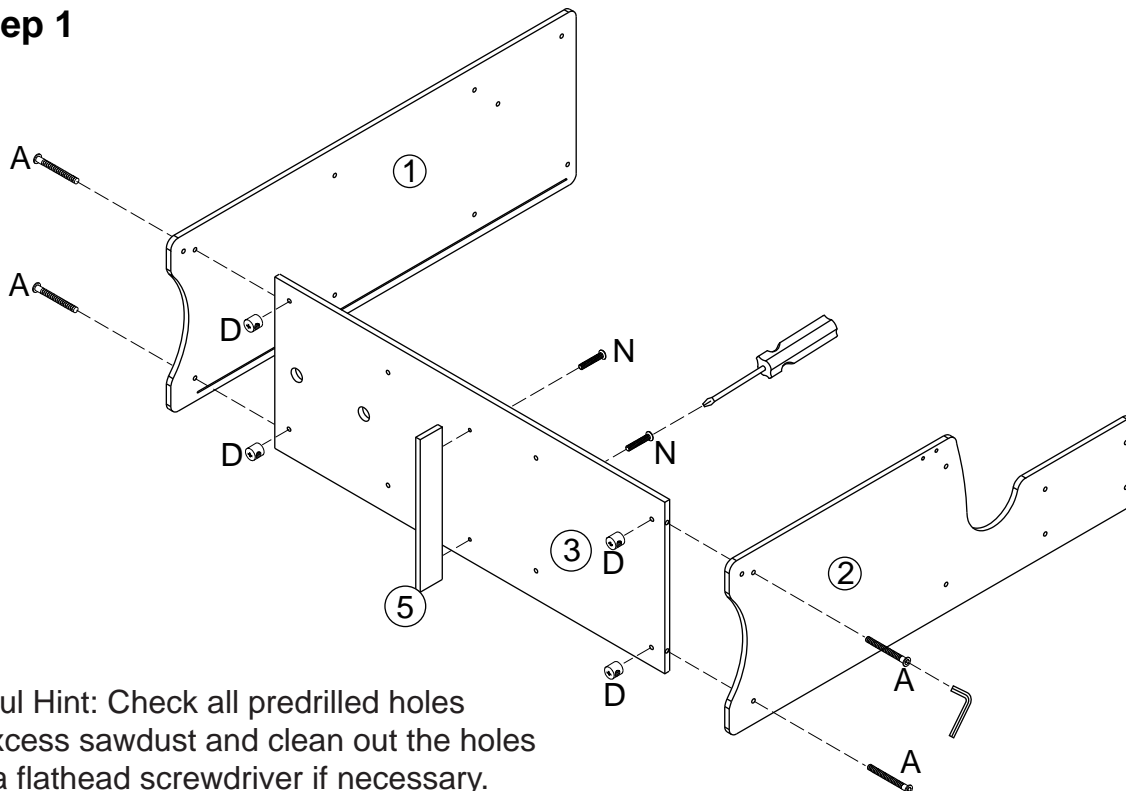
Item #53100B

Please retain this information for future reference

To order replacement parts, please visit www.kidkraft.com

| HARDWARE | | | | |
|---|---|---|--|---|
| <p>A. White Cross Dowel Bolt x 22 pcs  2 3/16 in, 55mm</p> <p>B. Pink Cross Dowel Bolt x 10 pcs  2 3/16 in, 55mm</p> <p>C. Cross Dowel Bolt x 4 pcs  2 3/16 in, 55mm</p> <p>D. Cross Dowel Nut x 36 pcs </p> <p>E. Cross Dowel Bolt x 1 pc  1 3/16 in, 30mm</p> | <p>F. White Screw x 3 pcs  1 in, 25mm</p> <p>G. Pink Screw x 4 pcs  1 in, 25mm</p> <p>H. Blue Screw x 2 pcs  1 in, 25mm</p> <p>I. Orange Screw x 2 pcs  1 in, 25mm</p> <p>J. Green Screw x 2 pcs  1 in, 25mm</p> | <p>K. Hex Screw x 2 pcs  1 3/16 in, 30mm</p> <p>L. White Screw x 2 pcs  1 5/16 in, 33mm</p> <p>M. Orange Screw x 2 pcs  1 5/16 in, 33mm</p> <p>N. Screw x 2 pcs  1 1/4 in, 31 mm</p> <p>O. Green Screw x 2 pcs  1 1/16 in, 27mm</p> | <p>P. Cam Lock x 2 pcs </p> <p>Q. Twist Nut x 2 pcs </p> <p>R. Pink Cap Nut x 2 pcs </p> <p>S. Nylon Nut x 1 pc </p> <p>T. Washer x 3 pcs </p> <p>U. Screw x 10 pcs  5/16 in, 8 mm</p> | <p>V. Latch x 5 pcs </p> <p>Allen Wrench x 1 pc </p> <p>Wrench x 1 pc </p> <p>The following tool (not included) is required for assembly:  Phillips® screwdriver</p> |

Step 1



Helpful Hint: Check all predrilled holes for excess sawdust and clean out the holes with a flathead screwdriver if necessary.

Customer Service
1-800-933-0771
www.kidkraft.com



KidKraft®

Live • Learn • Play

© 2010 KidKraft, LP

Deluxe Big & Bright Kitchen

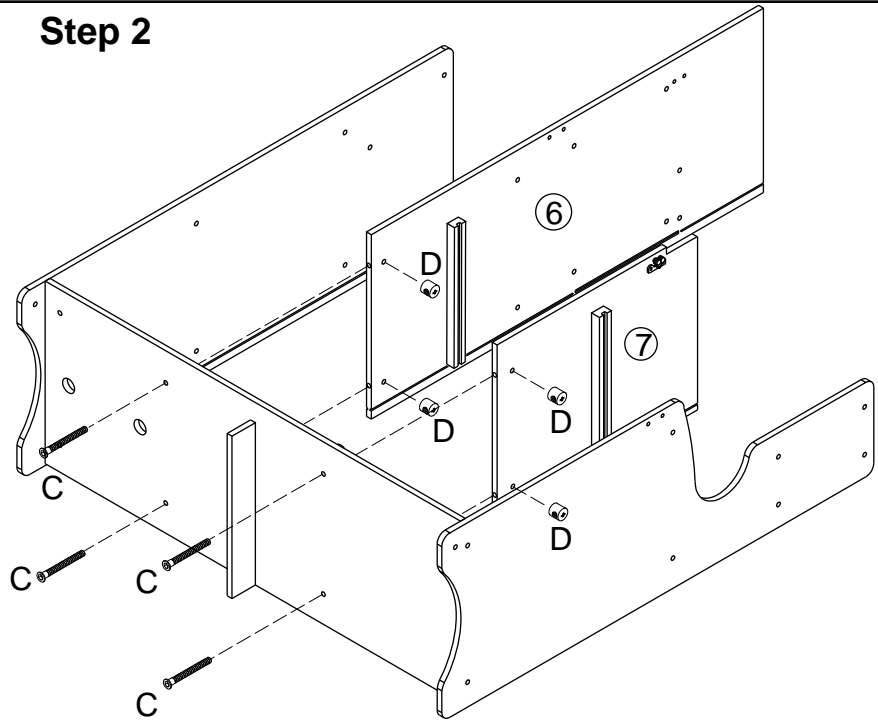
Item #53100B

Please retain this information
for future reference

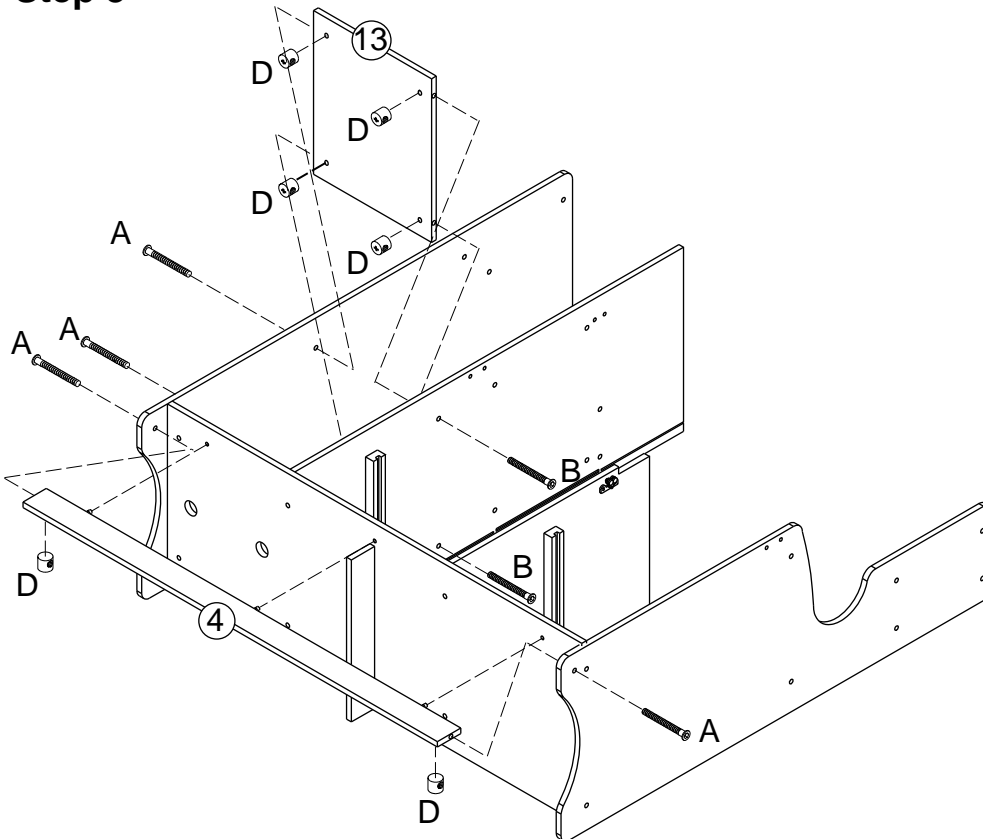
Assembly Instructions

To order replacement parts,
please visit www.kidkraft.com

Step 2



Step 3



Customer Service

1-800-933-0771

www.kidkraft.com



KidKraft®

Live • Learn • Play

© 2010 KidKraft, LP

Deluxe Big & Bright Kitchen

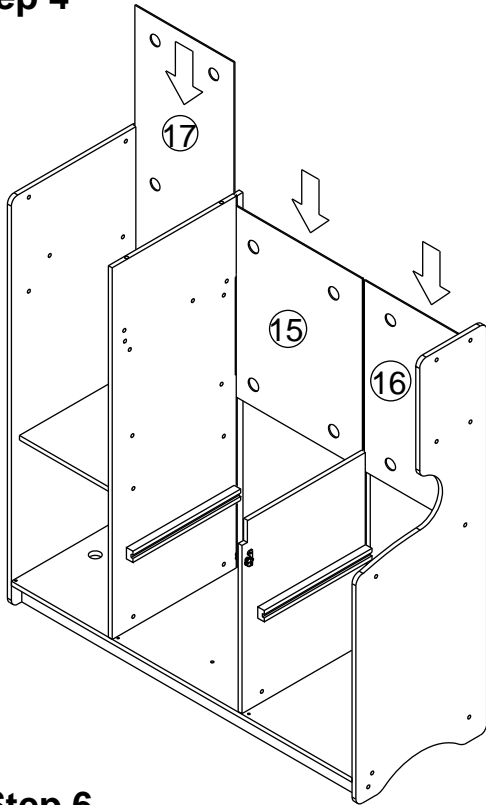
Assembly Instructions

Item #53100B

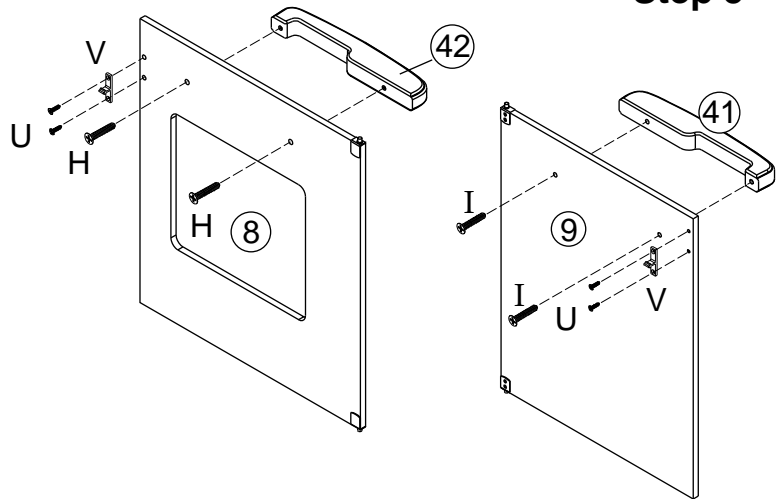
Please retain this information for future reference

To order replacement parts, please visit www.kidkraft.com

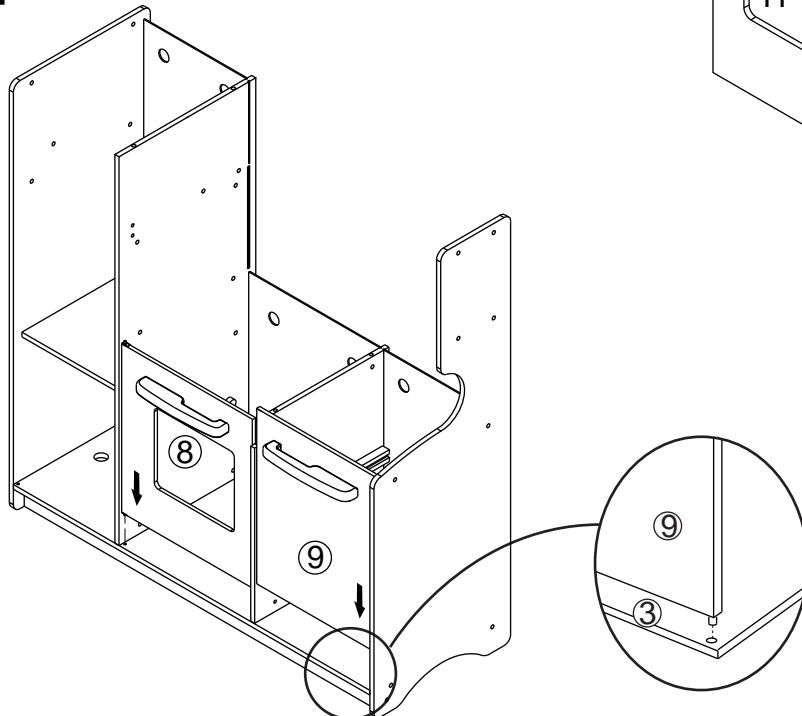
Step 4



Step 5



Step 6



Customer Service
1-800-933-0771
www.kidkraft.com



KidKraft[®]

Live*Learn*Play

© 2010 KidKraft, LP

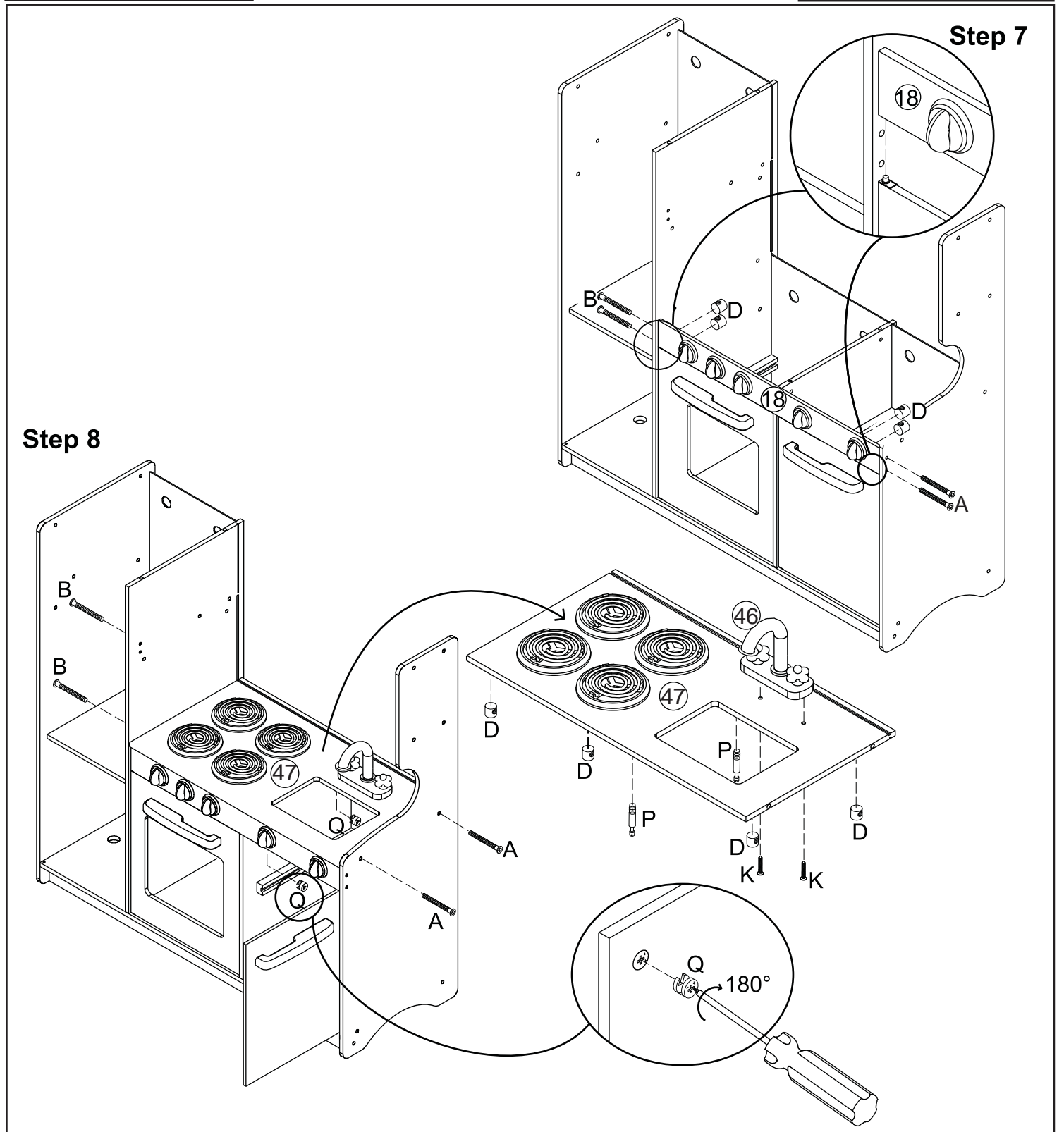
Deluxe Big & Bright Kitchen

Assembly Instructions

Item #53100B

Please retain this information for future reference

To order replacement parts, please visit www.kidkraft.com



Customer Service
1-800-933-0771
www.kidkraft.com



KidKraft®

Live • Learn • Play

© 2010 KidKraft, LP

Please retain this information
for future reference

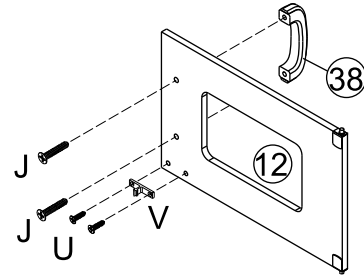
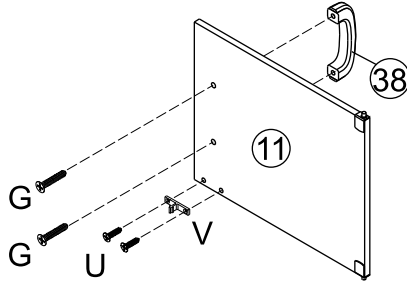
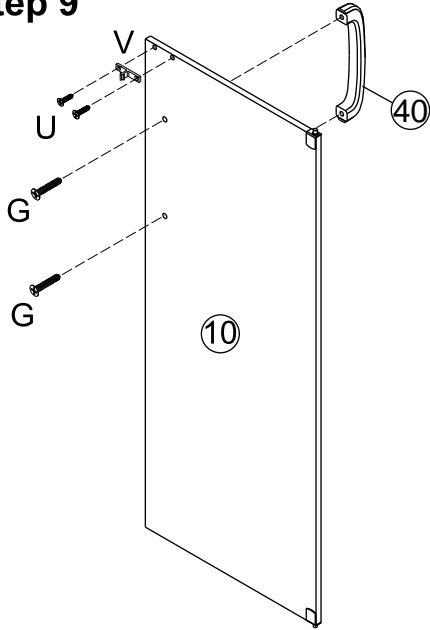
Deluxe Big & Bright Kitchen

Assembly Instructions

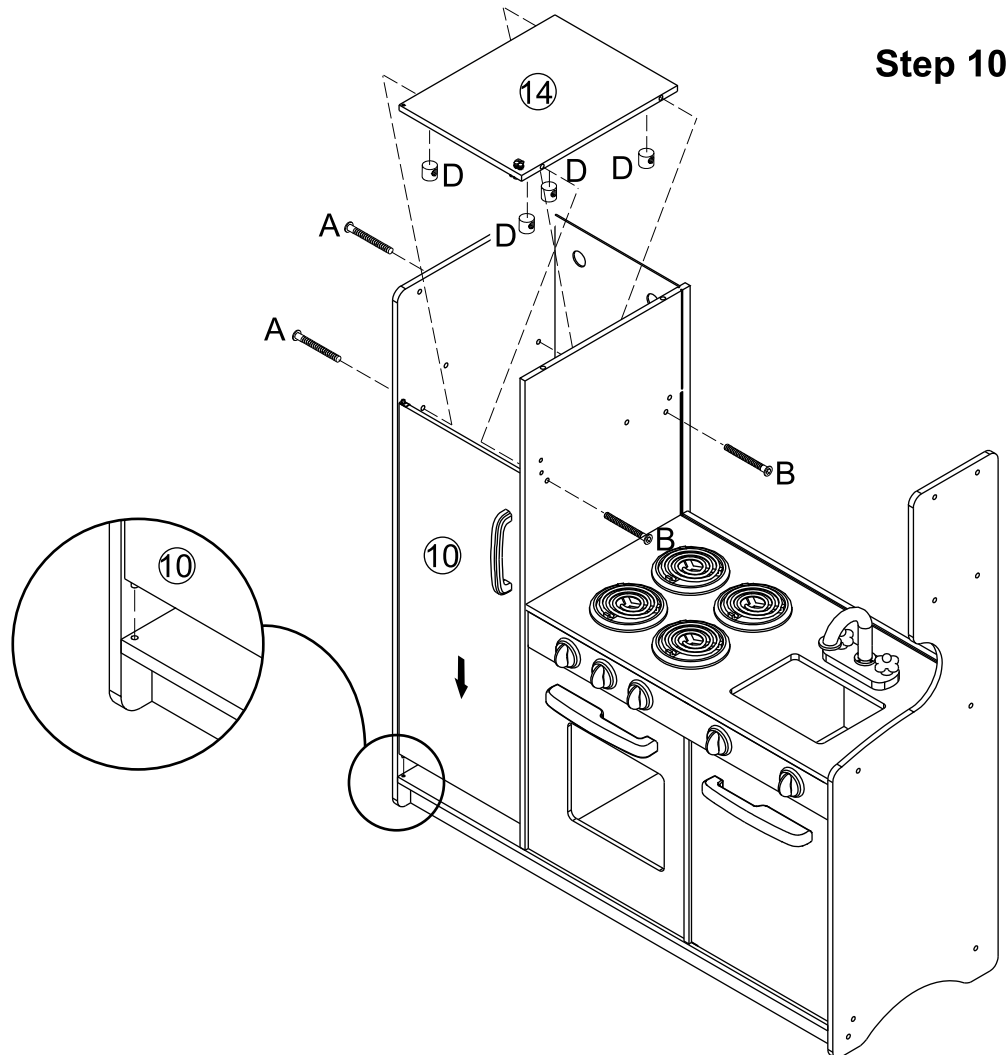
Item #53100B

To order replacement parts,
please visit www.kidkraft.com

Step 9



Step 10



Customer Service
1-800-933-0771
www.kidkraft.com



KidKraft®

Live • Learn • Play

© 2010 KidKraft, LP

Please retain this information
for future reference

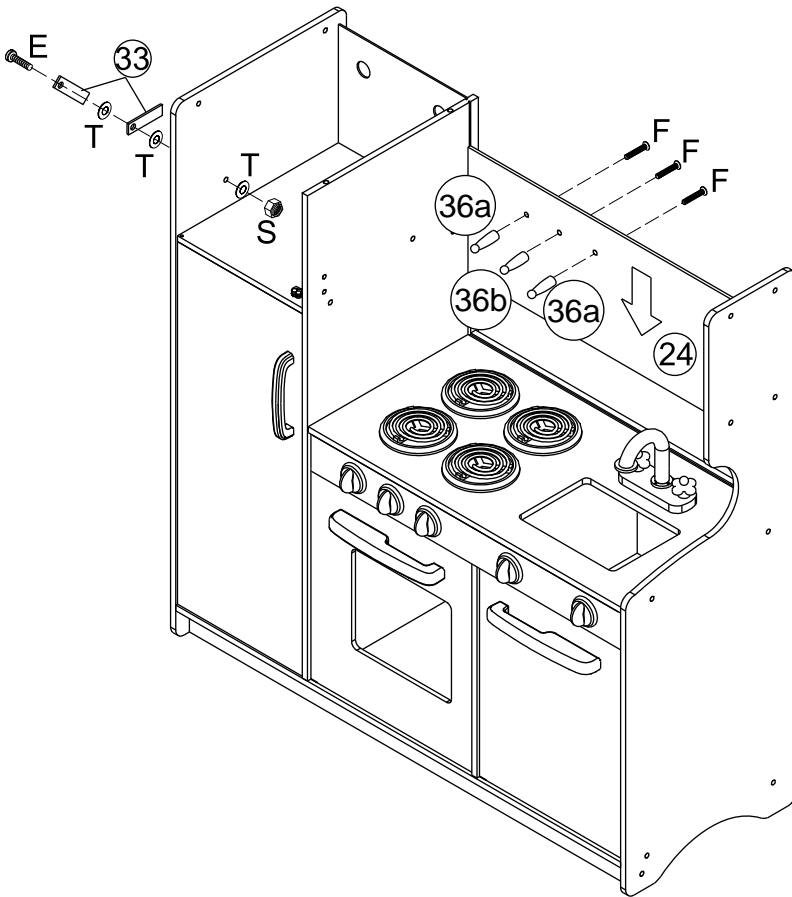
Deluxe Big & Bright Kitchen

Assembly Instructions

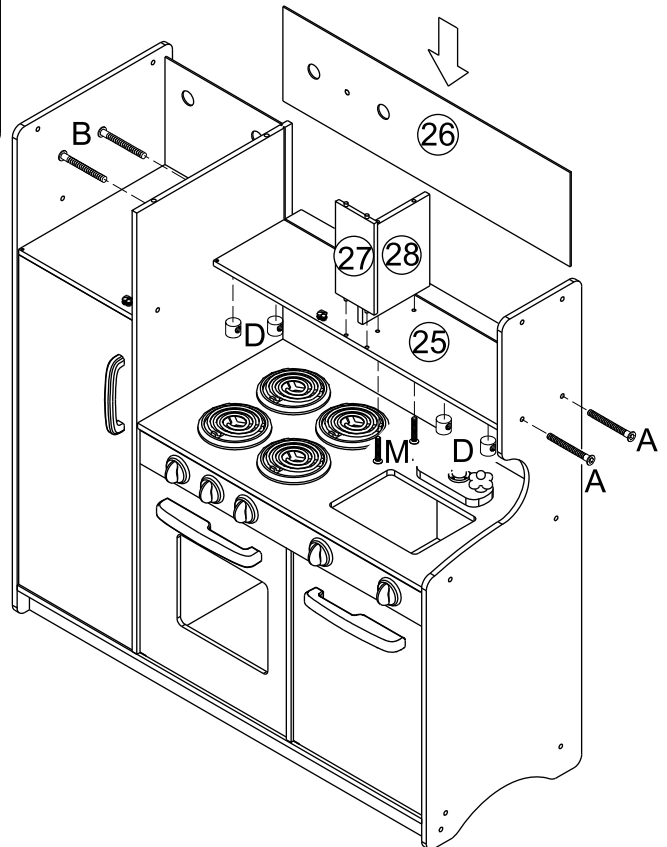
Item #53100B

To order replacement parts,
please visit www.kidkraft.com

Step 11



Step 12



Customer Service
1-800-933-0771
www.kidkraft.com

Deluxe Big & Bright Kitchen

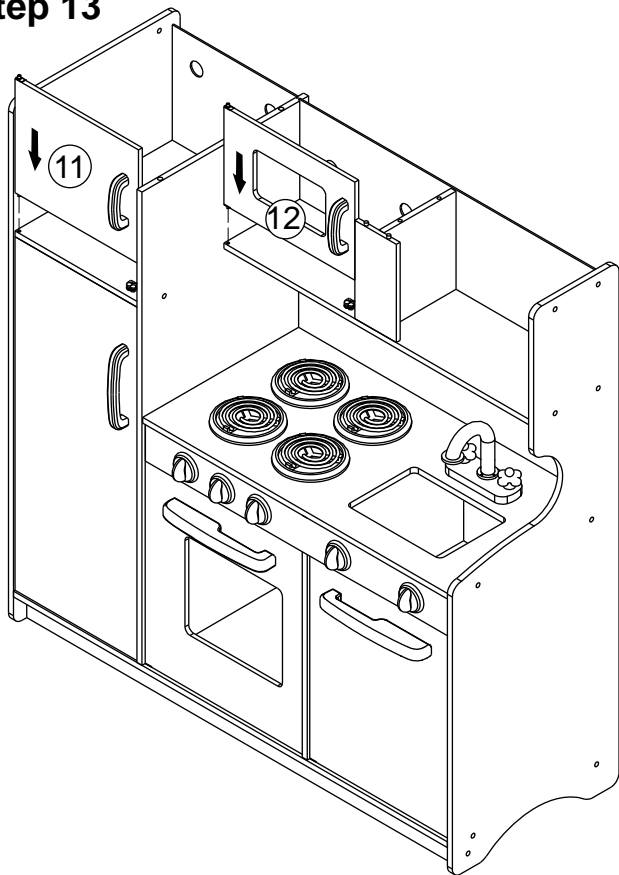
Assembly Instructions

Item #53100B

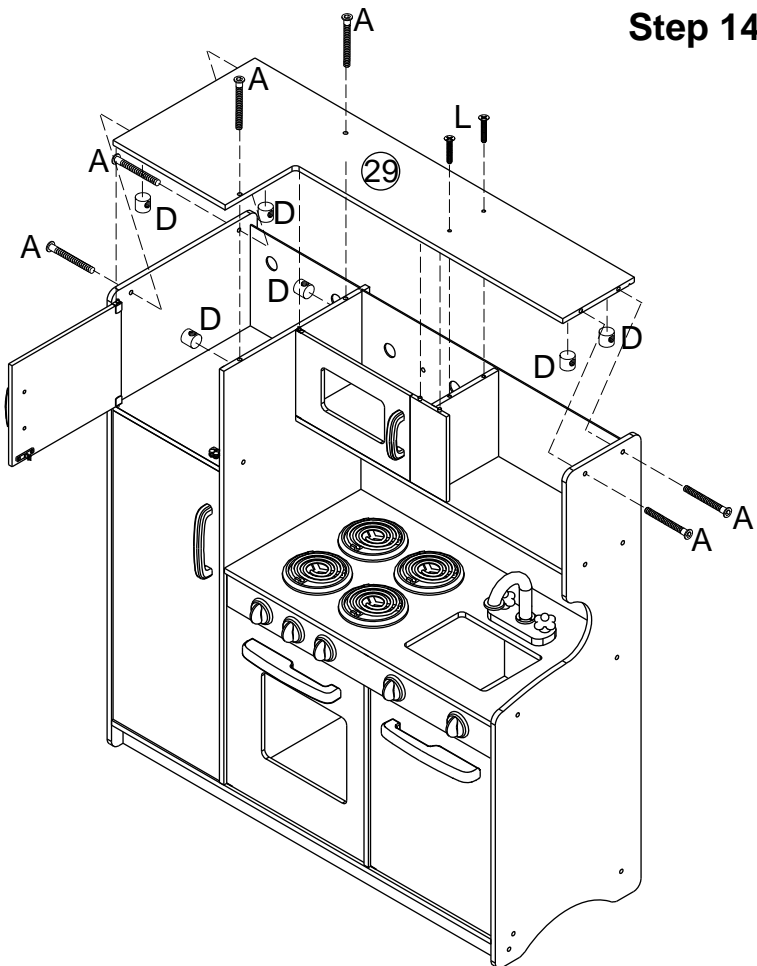
Please retain this information for future reference

To order replacement parts, please visit www.kidkraft.com

Step 13



Step 14



Customer Service
1-800-933-0771
www.kidkraft.com

Deluxe Big & Bright Kitchen

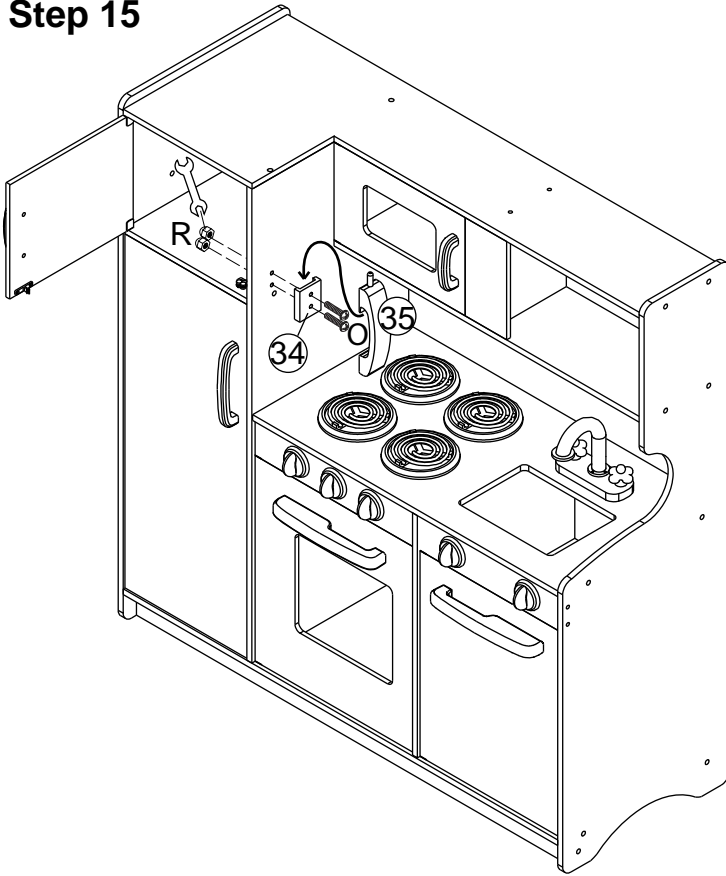
Assembly Instructions

Item #53100B

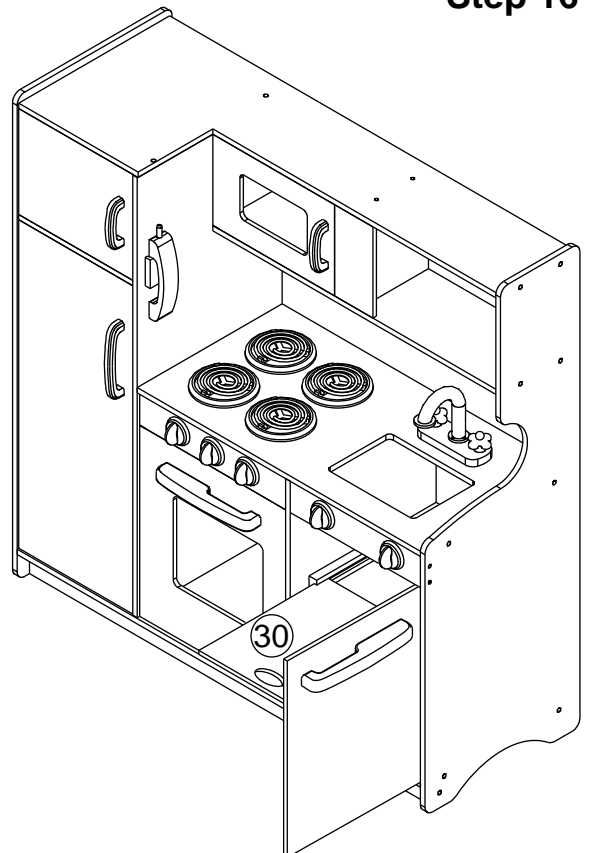
Please retain this information
for future reference

To order replacement parts,
please visit www.kidkraft.com

Step 15



Step 16



Customer Service
1-800-933-0771
www.kidkraft.com

Deluxe Big & Bright Kitchen

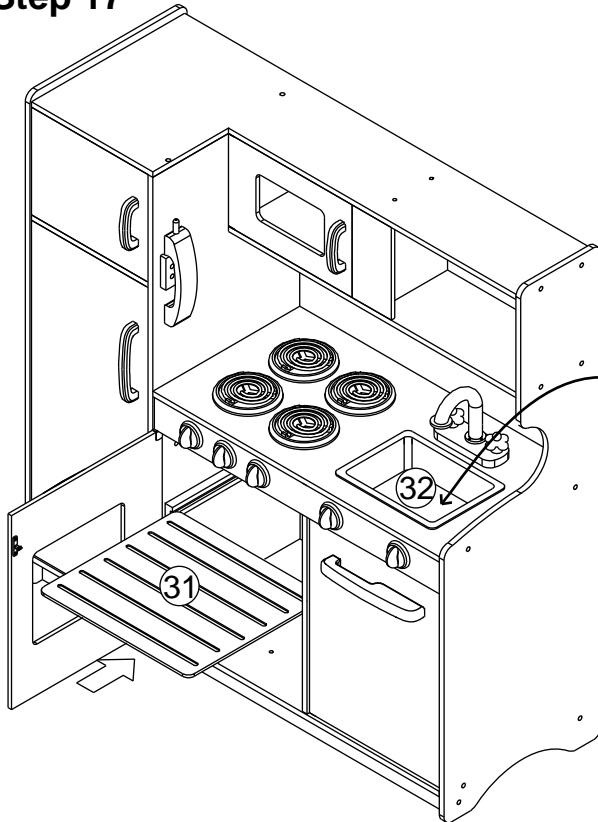
Assembly Instructions

Item #53100B

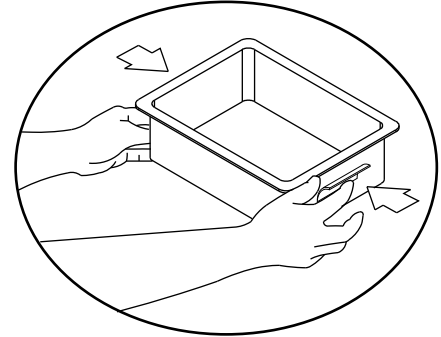
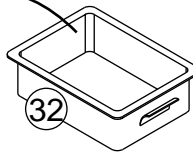
Please retain this information for future reference

To order replacement parts, please visit www.kidkraft.com

Step 17

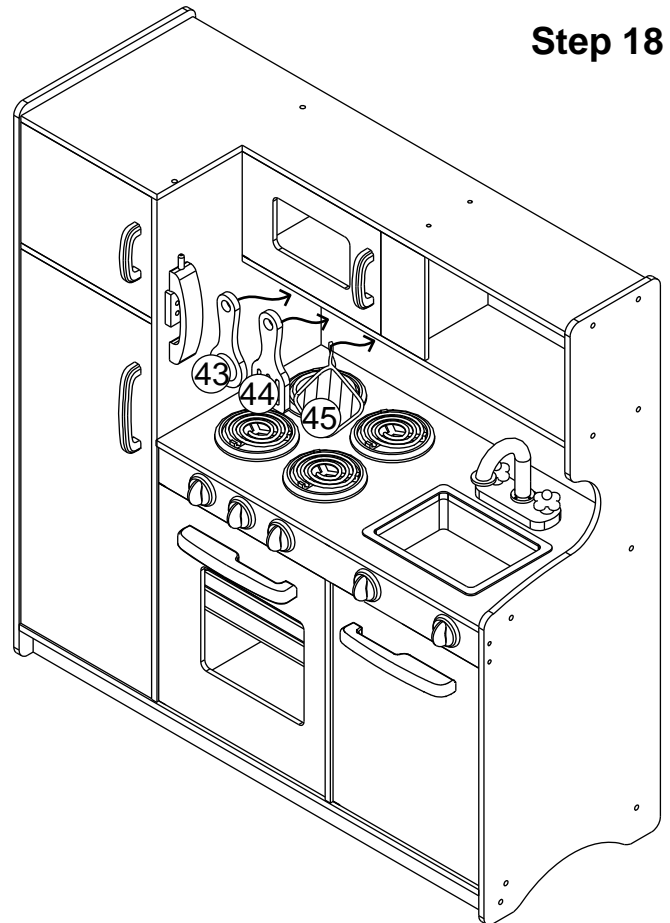


Push sink (part 32) down until it clicks into place.



To Remove Sink: The sink may only be removed by an adult. Hold the tabs and lift through the hole to release.

Step 18



Customer Service
1-800-933-0771
www.kidkraft.com



Parental supervision required.

This toy is intended for children of a specific age or above. Parents should supervise the play area so that children younger than the intended age range do not interact with this toy. Use this toy on the floor. Do not allow children to climb on or around or in the toy.

IMPORTANT INFORMATION - PLEASE READ FIRST

ALL OF OUR WOODEN ITEMS ARE HANDCRAFTED, HAND ASSEMBLED, AND HAND PAINTED. EACH ONE IS UNIQUE. SLIGHT IMPERFECTIONS MAY OCCUR AND ARE NOT MANUFACTURING DEFECTS.

PLEASE NOTE THAT WE DO NOT WARRANTY AGAINST THE USE OF PERMANENT MARKERS, NON-WATER-BASED PAINTS, CRAYONS, OR WASHABLE MARKERS. SOME OF THESE ITEMS CONTAIN PERMANENT COLOR DYES THAT COULD DAMAGE THE SURFACE.

CLEANING INSTRUCTIONS

CLEAN THE SURFACE USING A SLIGHTLY DAMP CLOTH AND MILD DISH WASHING LIQUID IF NECESSARY. DO NOT USE ANY CLEANING PRODUCT CONTAINING ALCOHOL OR AMMONIA. THESE WILL DULL THE SHINY SURFACE OF THE PRODUCT. FURNITURE POLISH WILL ALSO WORK TO CLEAN AND DUST OFF THE SURFACE.

ADULTS: WASH ALL FOOD/DRINK PLAYTHINGS THOROUGHLY BEFORE USE. NOT DISHWASHER, OVEN OR MICROWAVE SAFE.

WE RECOMMEND THAT YOU TEST ALL CLEANING MATERIALS ON THE UNDERSIDE OF ANY SURFACE THAT WOULD NOT BE SEEN DURING NORMAL USE OF THE PRODUCT. IF YOU HAVE QUESTIONS REGARDING THE MAINTENANCE OF THIS PRODUCT PLEASE FEEL FREE TO CALL US.

SOLE AND LIMITED WARRANTY

THIS TOY IS WARRANTED SOLELY AGAINST MANUFACTURING DEFECTS FOR A PERIOD OF 90 DAYS FROM THE DATE OF PURCHASE, WHICH RUNS ONLY TO THE ORIGINAL USER OF THE TOY. IN THE EVENT OF A MANUFACTURING DEFECT, PARTS WILL BE REPLACED OR THE ENTIRE PRODUCT WILL BE REPLACED OR THE PURCHASE PRICE WILL BE REFUNDED, AT THE ELECTION OF THE MANUFACTURER. TO ACTIVATE AND PROTECT THIS WARRANTY, PRESERVE EVIDENCE OF ORIGINAL PURCHASE AND CAREFULLY INSPECT THE CONDITION OF THE TOY PRIOR TO AND AFTER ASSEMBLY, LOOKING FOR MISSING, DEGRADED, BROKEN OR HAZARDOUS PARTS, INCLUDING PARTS WHICH CAN BE SWALLOWED BY A CHILD, CAUSE A CHILD TO CHOKE, OR OTHERWISE CAUSE INJURY. SUCH PARTS MAY INCLUDE FASTENERS AND CONNECTORS. SHOULD YOU OBSERVE ANY DEFECTS, DO NOT USE THE TOY AND IMMEDIATELY NOTIFY THE MANUFACTURER. FAILURE TO DO SO SHALL CONSTITUTE MISUSE. MISUSE, IMPROPER ASSEMBLY, FAILURE TO HONOR A WARNING, FAILURE TO SUPERVISE, INSPECT OR MAINTAIN THE TOY, OR DAMAGE TO THE TOY, WHETHER INTENTIONAL OR INADVERTENT, SHALL INVALIDATE THIS WARRANTY. THIS WARRANTY GIVES YOU SPECIFIC LEGAL RIGHTS, AND YOU MAY ALSO HAVE OTHER RIGHTS WHICH VARY FROM STATE TO STATE.

TO SUBMIT A WARRANTY CLAIM PLEASE CONTACT KIDKRAFT CUSTOMER SERVICE AT 1-800-933-0771 FOR INSTRUCTIONS ON HOW TO PROVIDE PROOF OF PURCHASE AND HOW TO RETURN THE ITEM FREIGHT PRE-PAID.