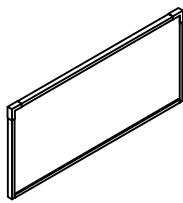
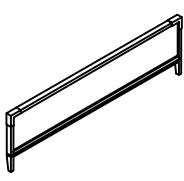
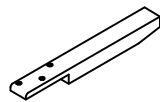
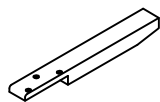
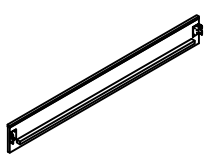
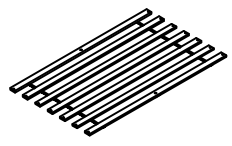
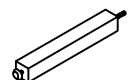
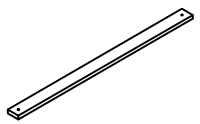
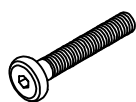


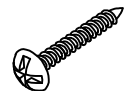

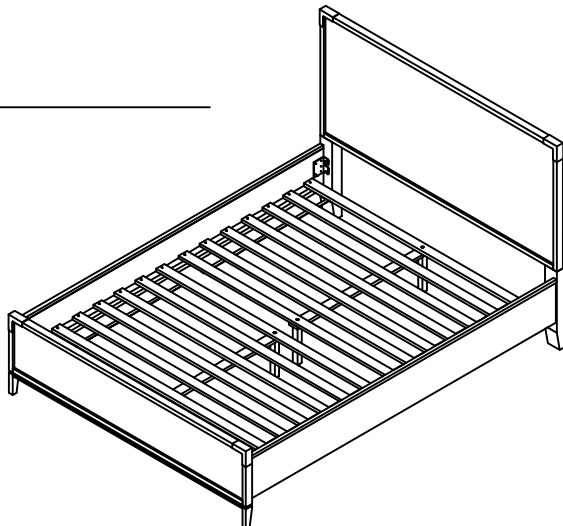


ASSEMBLY INSTRUCTION

FULL BED
 QUEEN BED
 EASTERN KING BED

A Headboard  1pc	B Footboard  1pc	C Headboard Leg -Left  1pc	D Headboard Leg -Right  1pc
E Side Rail  2pcs	F Slat  2sets (14pcs)	G Slat Support Leg  4pcs	H Center Rail  2pcs
I JCBC Bolt 5/16" x 38mm  6pcs	J Spring Washer 5/16" x Ø12mm  6pcs	K Flat Washer 5/16" x Ø19mm  6pcs	L CSK Screw M4 x 25mm  28pcs
M Allen Key M4 x 65mm  1pc			

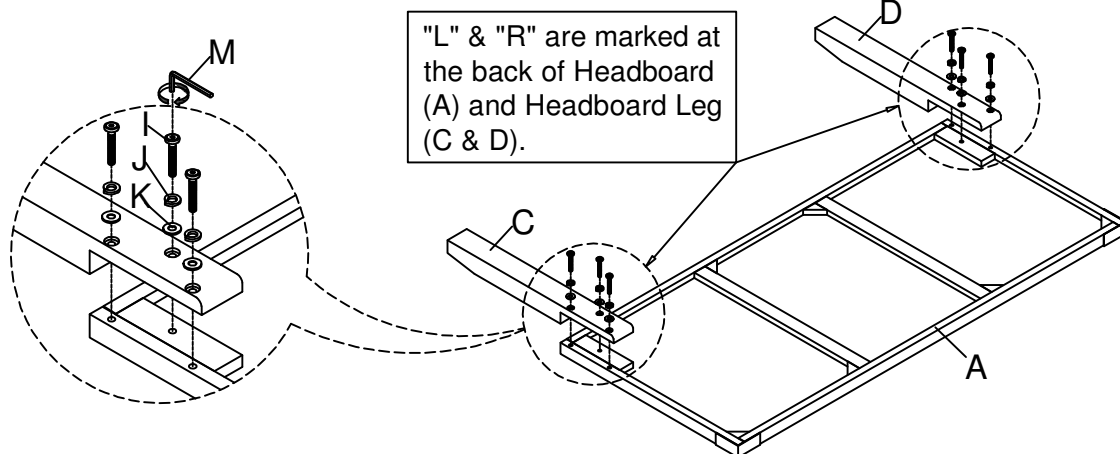


This page lists all the contents included in the box. Please take the time to identify the hardware as well as the individual components to this product. As you unpack and prepare for assembly, place the contents on a carpeted or padded area to protect them from damage.

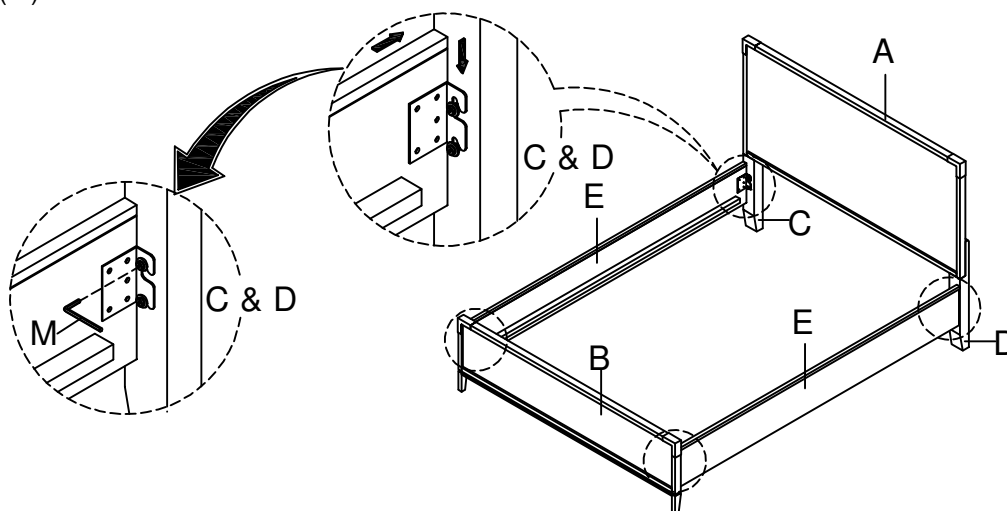
IMPORTANT NOTE:

1. Do not tighten all screws / bolts until all completely assembled.
2. Keep all hardware parts out reach of children.

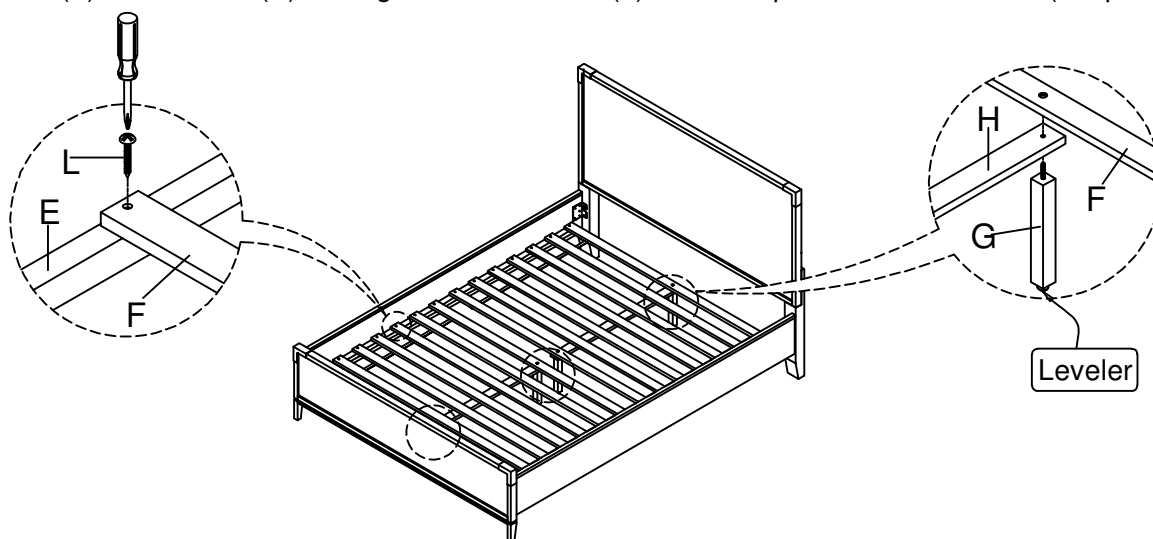
- 1** Attach Headboard Leg - Left (C) and Headboard Leg - Right (D) to Headboard (A) and tighten JCBC Bolt (I), Spring Washer (J) and Flat Washer (K) with Allen Key (M).



- 2** Attach Side Rail (E) to Headboard Leg - Left & Right (C & D) and Footboard (B) by hooking the Side Rail Brackets on the bolts (already on HB Legs & FB) and tighten all the bolts using Allen Key (M).



- 3** Attach Slat Support Leg (G) to Center Rail (H) and Slat (F). Then adjust Levelers if needed. Attach Slat (F) to Side Rail (E) and tighten CSK Screw (L) with Phillips Head Screwdriver (not provided).



Cleaning & Care

Treat surface with care. Surface is resistant to scratches but is not scratch resistant. Clean surfaces with a dry or damp soft cloth. Do not use abrasive cleaners. Hardware may loosen over time. Periodically check that all connections are tight