

Buffet



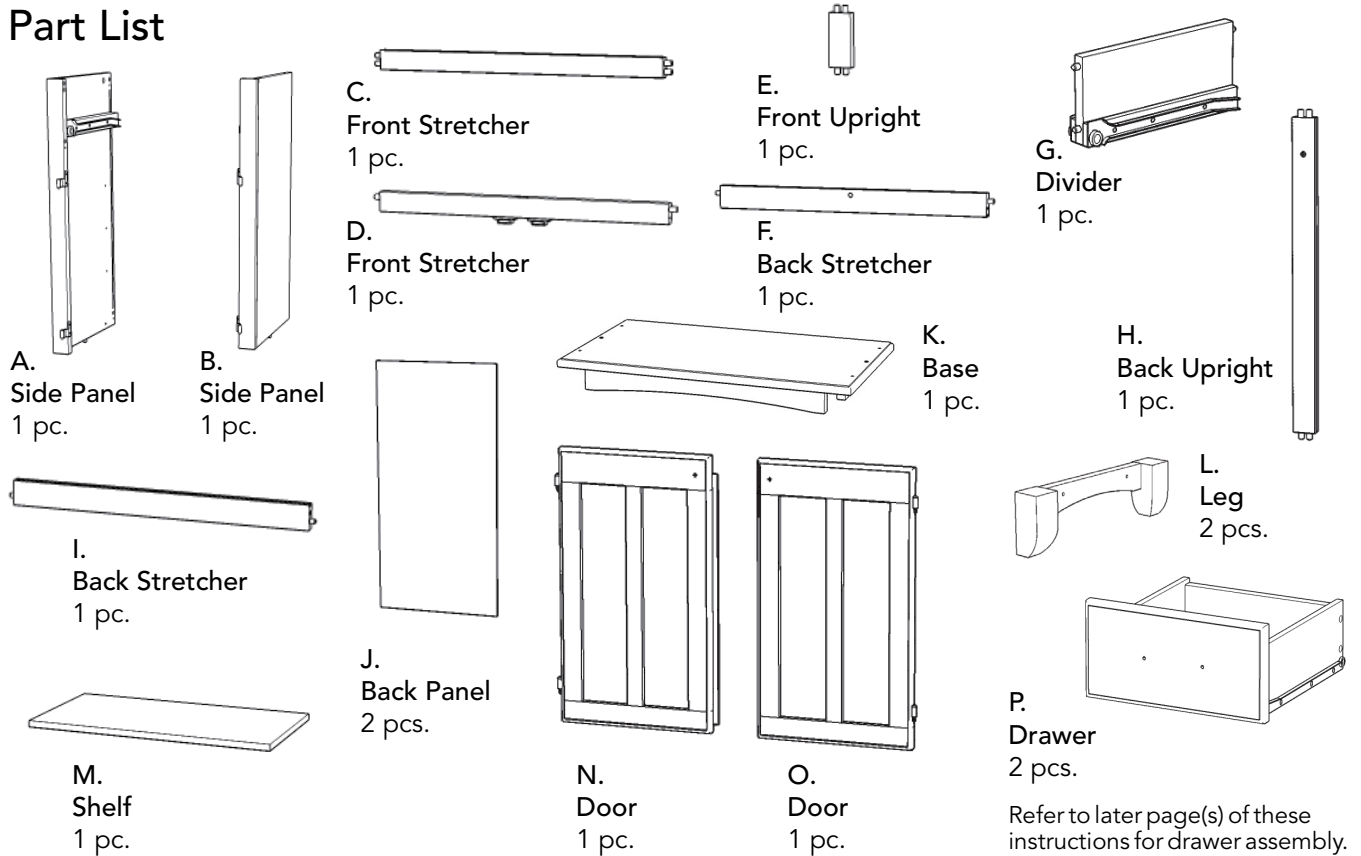
**IMPORTANT**

Carefully remove all the parts from the carton and place them individually on a soft cloth to prevent scratches or other damage.

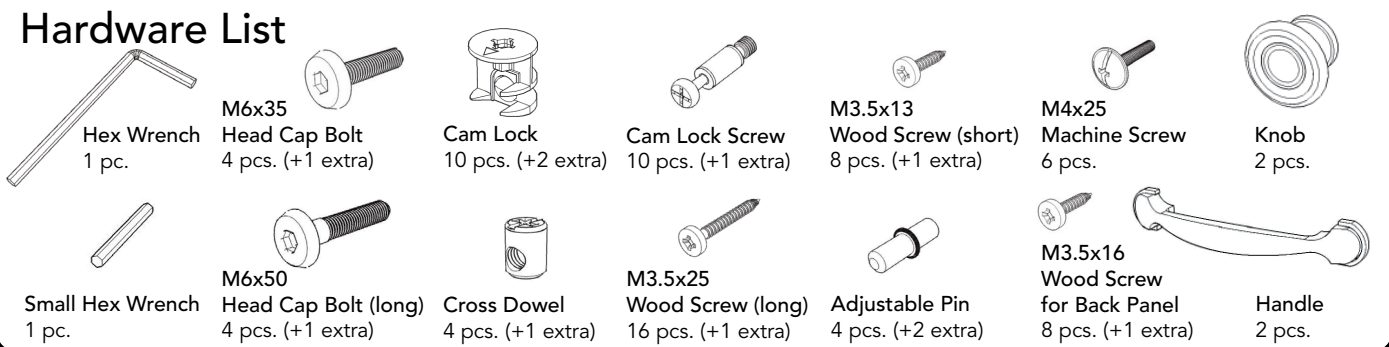
Carefully and strictly follow these assembly instructions to ensure a completed product as designed.

Do not use power tools above 8 volts to assemble.

**Part List**



**Hardware List**



**20 05001 Top carton is also needed for assembly.**

Tool(s) required for assembly: Phillips screwdriver, Level, Drill (8 volts or less), 3/8" Drill Bit

## Assembly Instructions 2/8

### IMPORTANT

- Use a soft cloth between these parts and the floor.
- Do not use power tools above 8 volts to assemble.
- Do not tighten all the bolts until each part is properly assembled.
- The unit must be level to work properly. Use the included adjustable levelers to level.
- Keep Hex Wrench as the bolts may need to be tightened in the future.

### STEP 1

Insert Cam Lock Screws into pre-drilled holes in Side Panels (A) and (B). (See Figure 1)

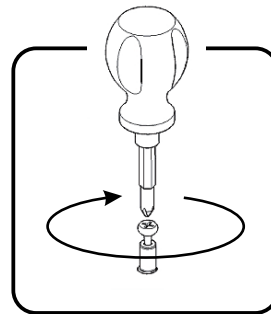
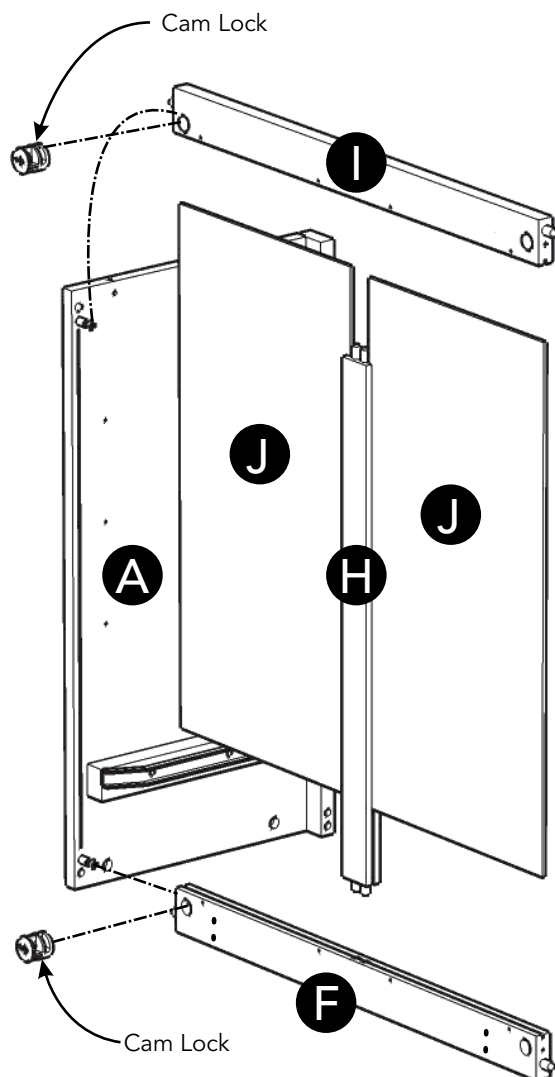
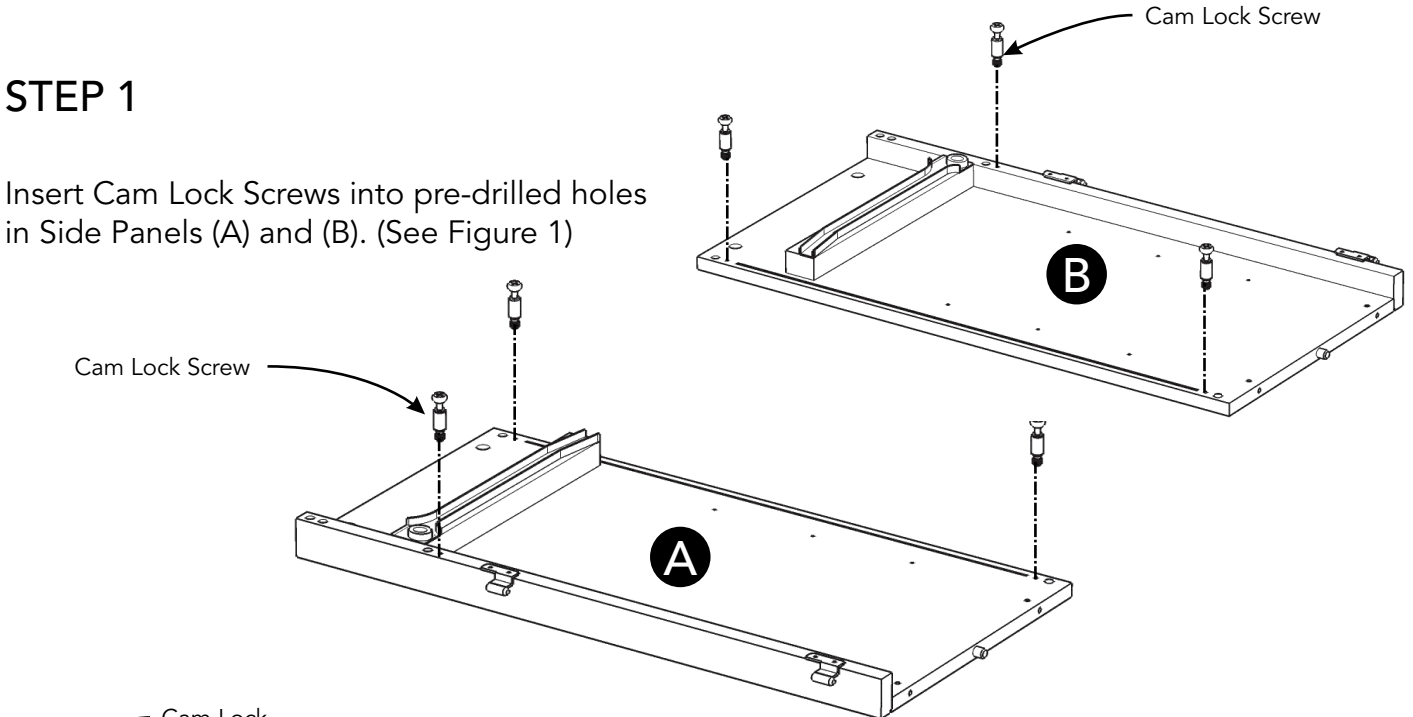


Figure 1

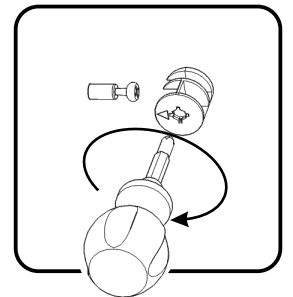


Figure 2

### STEP 2

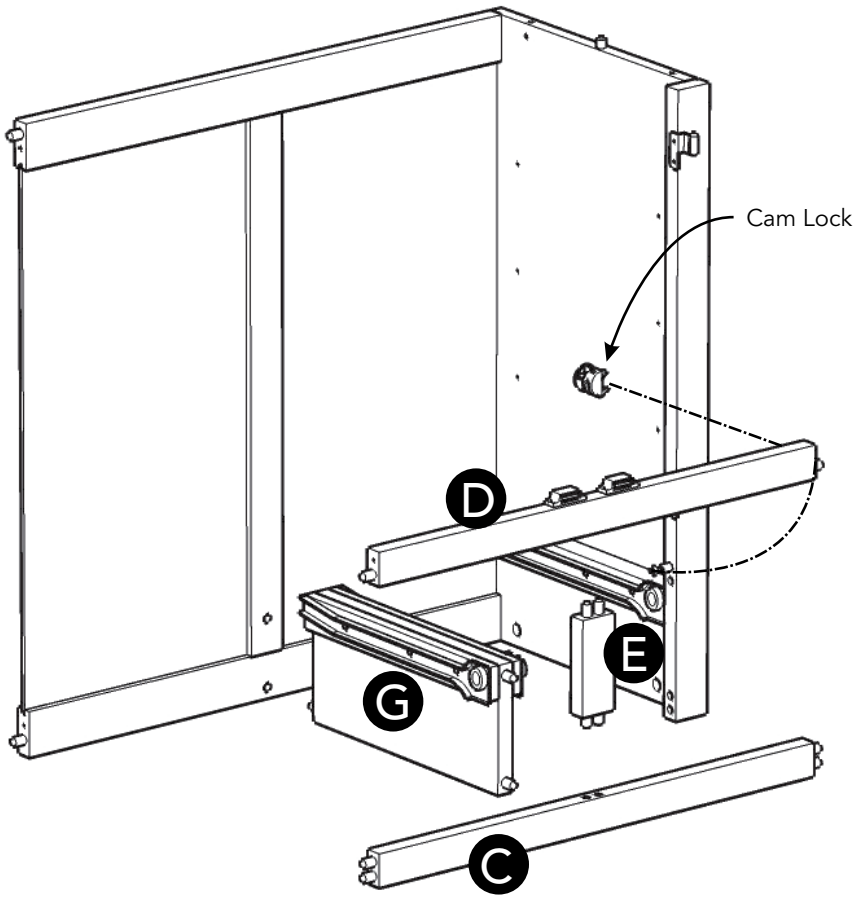
Attach Back Stretcher (F) to Side Panel (A) with Cam Lock. (See Figure 2)

Attach Back Upright (H) to Back Stretcher (F).

Slide Back Panels (J) into place.

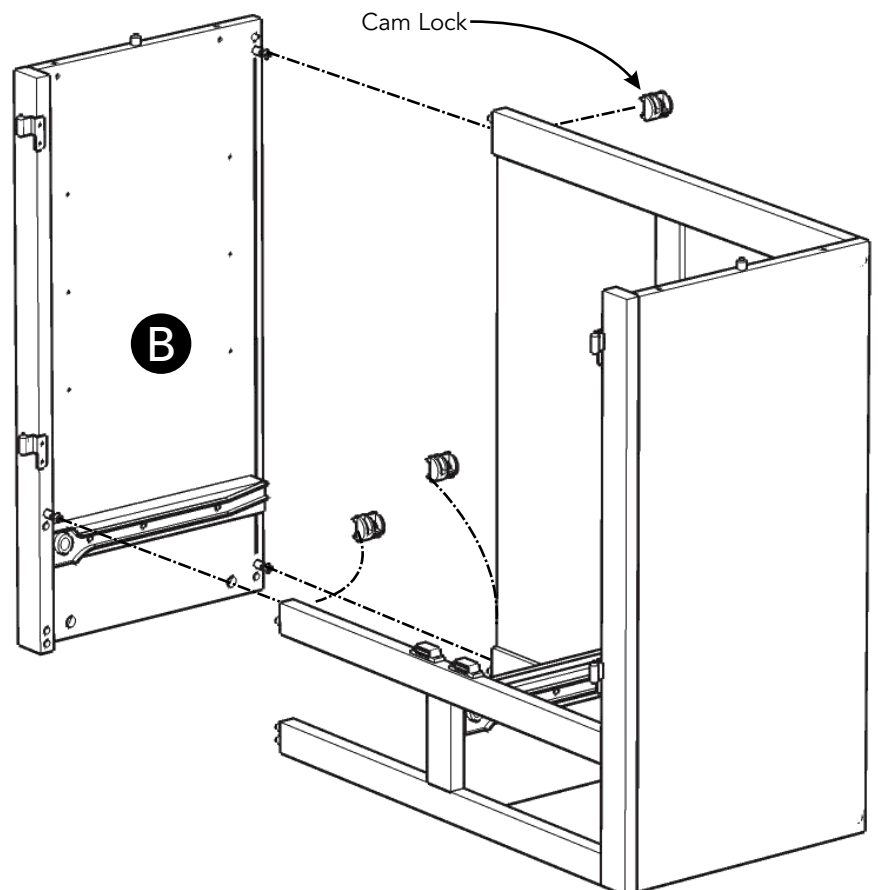
Attach Back Stretcher (I) to unit with Cam Lock.

## Assembly Instructions 3/8



### STEP 3

- Attach Divider (G) to unit.
- Attach Front Stretcher (C) to unit.
- Attach Front Upright (E) to unit.
- Attach Front Stretcher (D) to unit with Cam Lock.

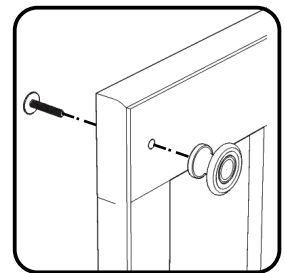
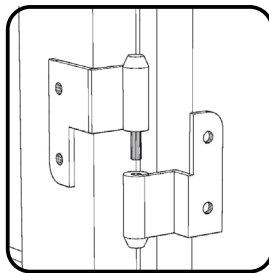
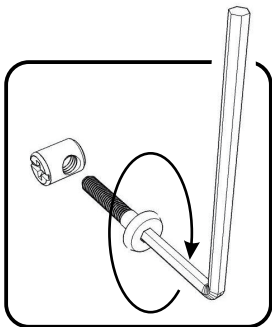
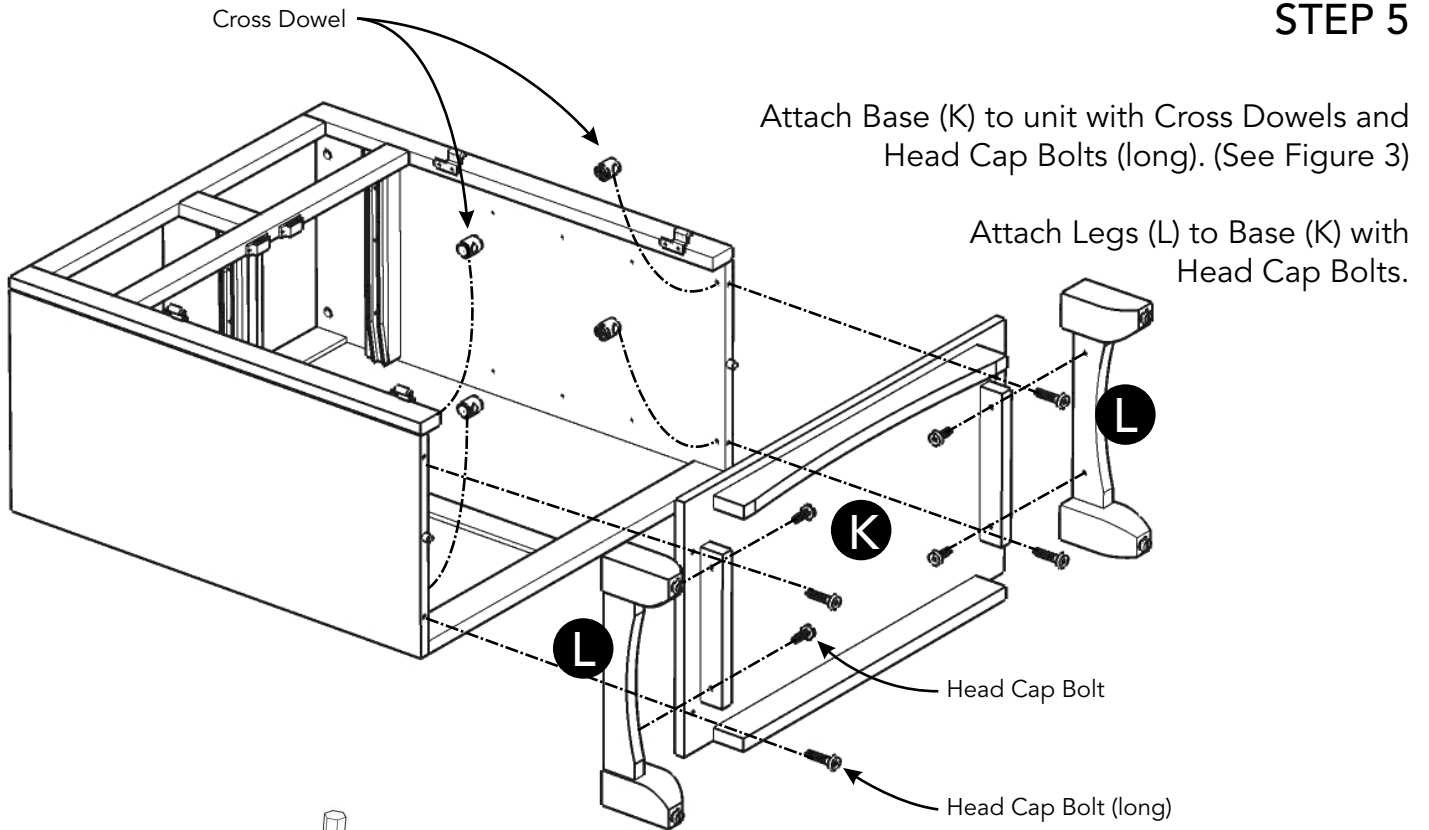


### STEP 4

Attach Side Panel (B) to unit with Cam Locks.

# Assembly Instructions 4/8

## STEP 5



## STEP 6

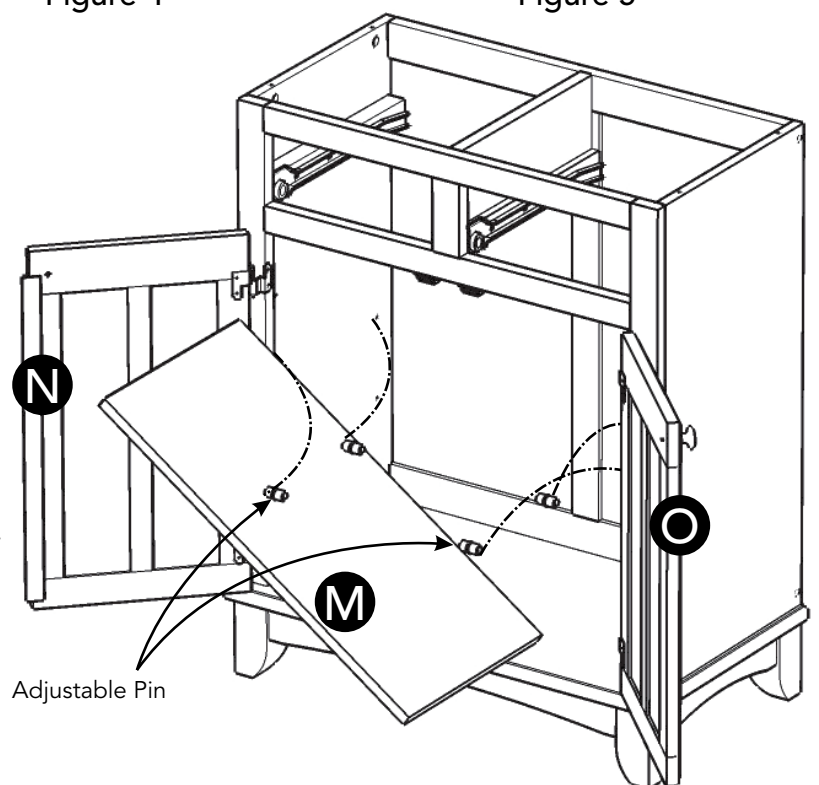
Turn unit to its' upright position.

Insert Adjustable Pins into side panels at desired level.

Place Shelf (M) into position.

Attach Doors (N) and (O) to unit by sliding door hinges into side panel hinges. (See Figure 4)

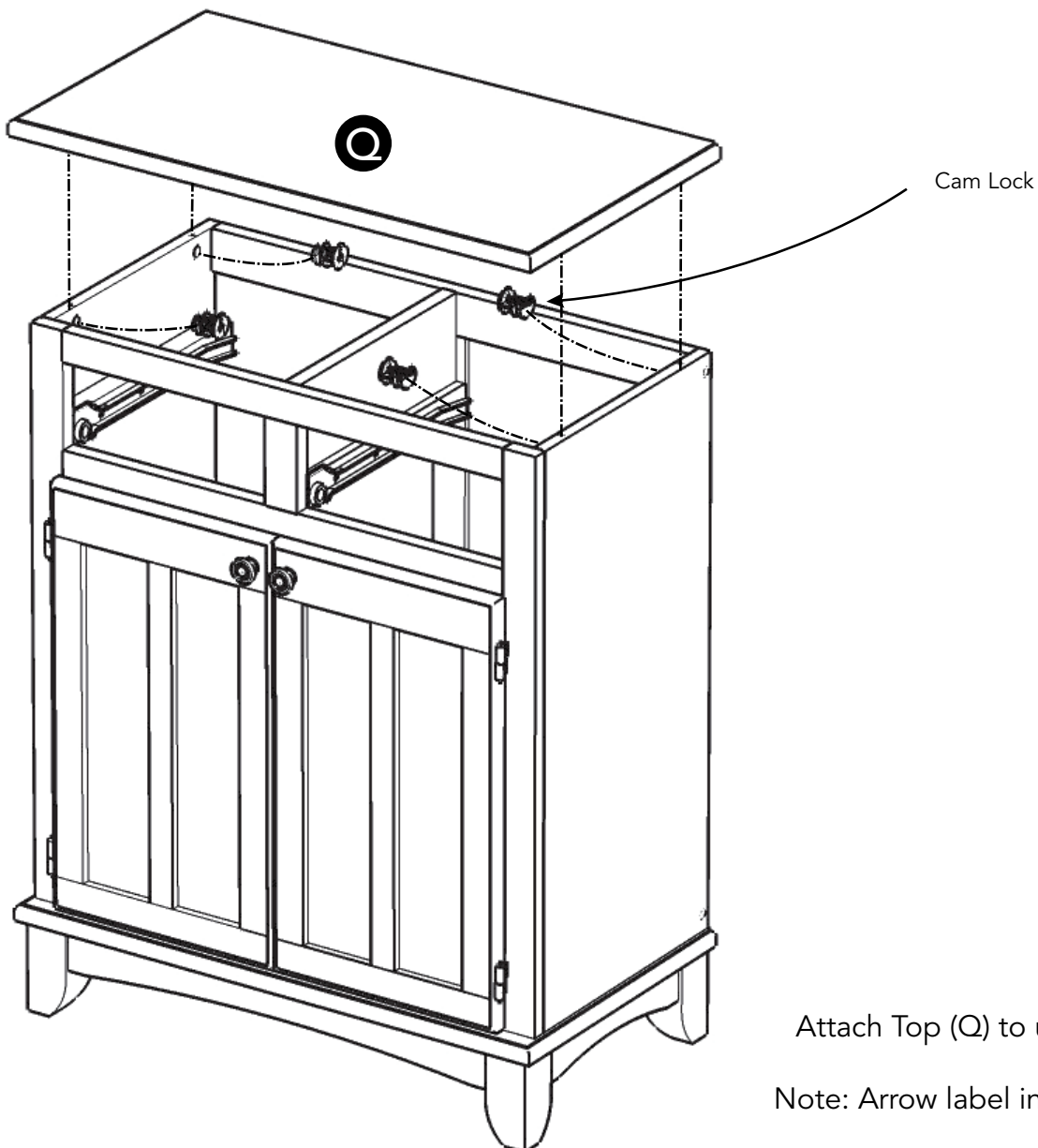
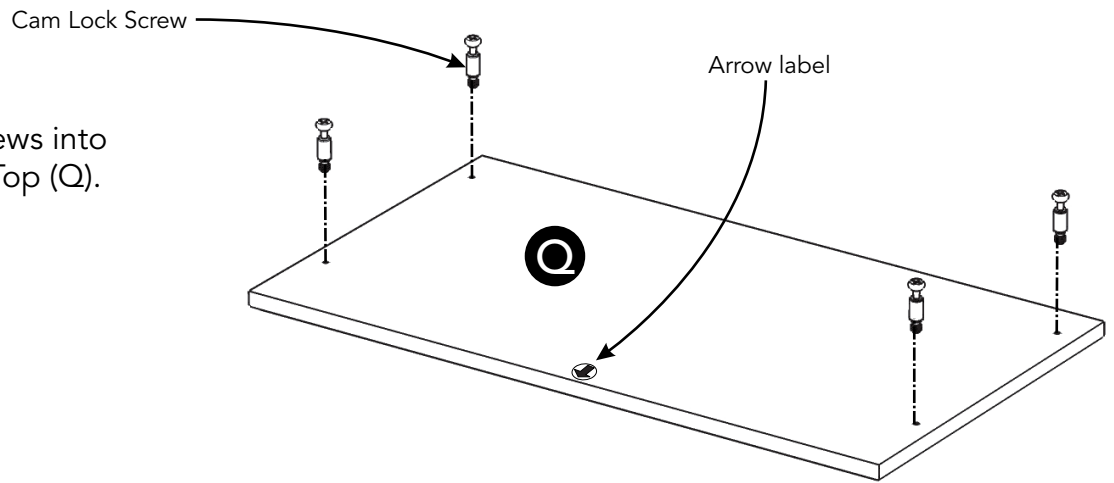
Attach Knobs to Doors (N) and (O) with Machine Screws. (See Figure 5)



## Assembly Instructions 5/8

### STEP 7

Insert Cam Lock Screws into pre-drilled holes of Top (Q).



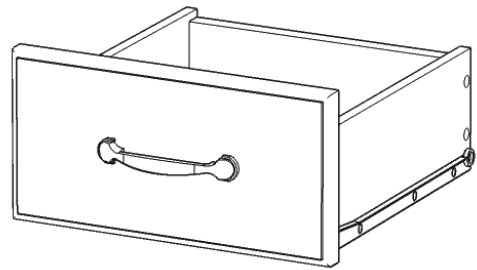
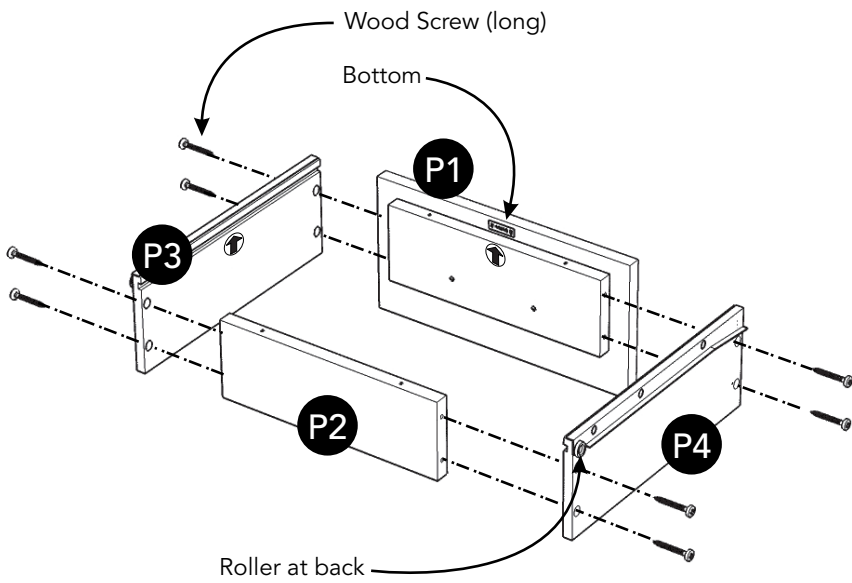
### STEP 8

Attach Top (Q) to unit with Cam Locks.

Note: Arrow label indicates front of Top.

# Assembly Instructions 6/8

## Drawer (P)



### STEP 9

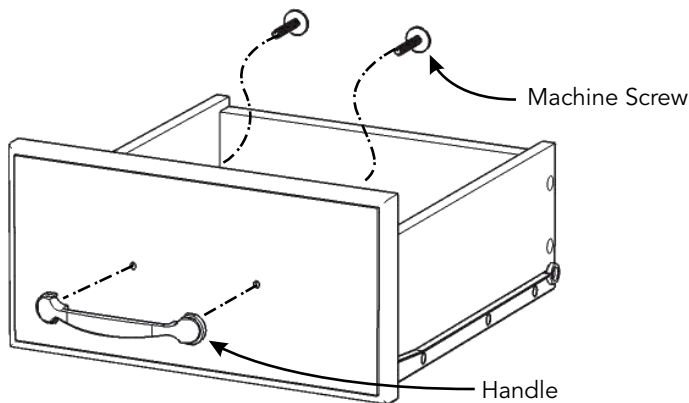
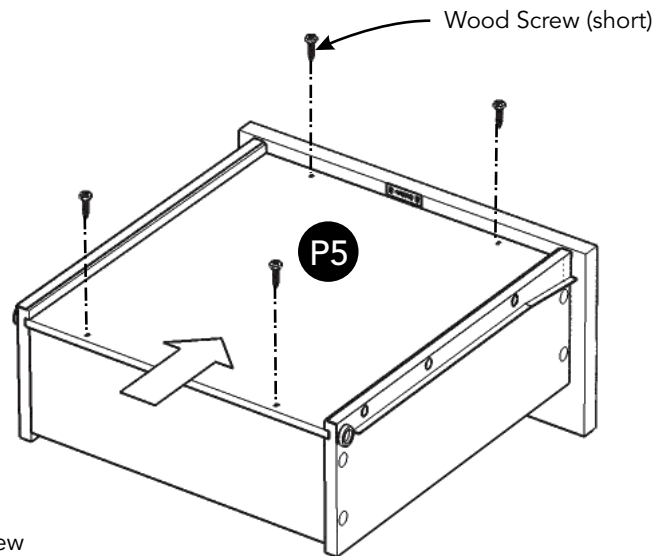
Attach Drawer Front (P1) and Drawer Back (P2) to Drawer Side (P3) with Wood Screws (long).

Attach Drawer Side (P4) to unit with Wood Screws (long).

### STEP 10

Slide Drawer Bottom (P5) into groove.

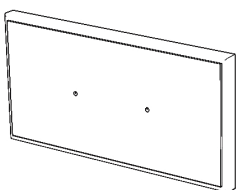
Attach Drawer Bottom (P5) to unit with Wood Screws (short).



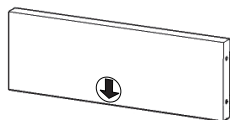
### STEP 11

Attach Handle with Machine Screws.

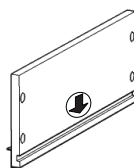
## Part List



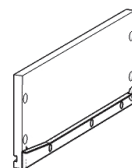
P1.  
Drawer Front  
2 pcs.



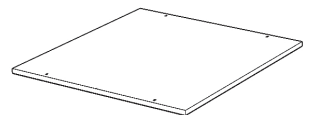
P2.  
Drawer Back  
2 pcs.



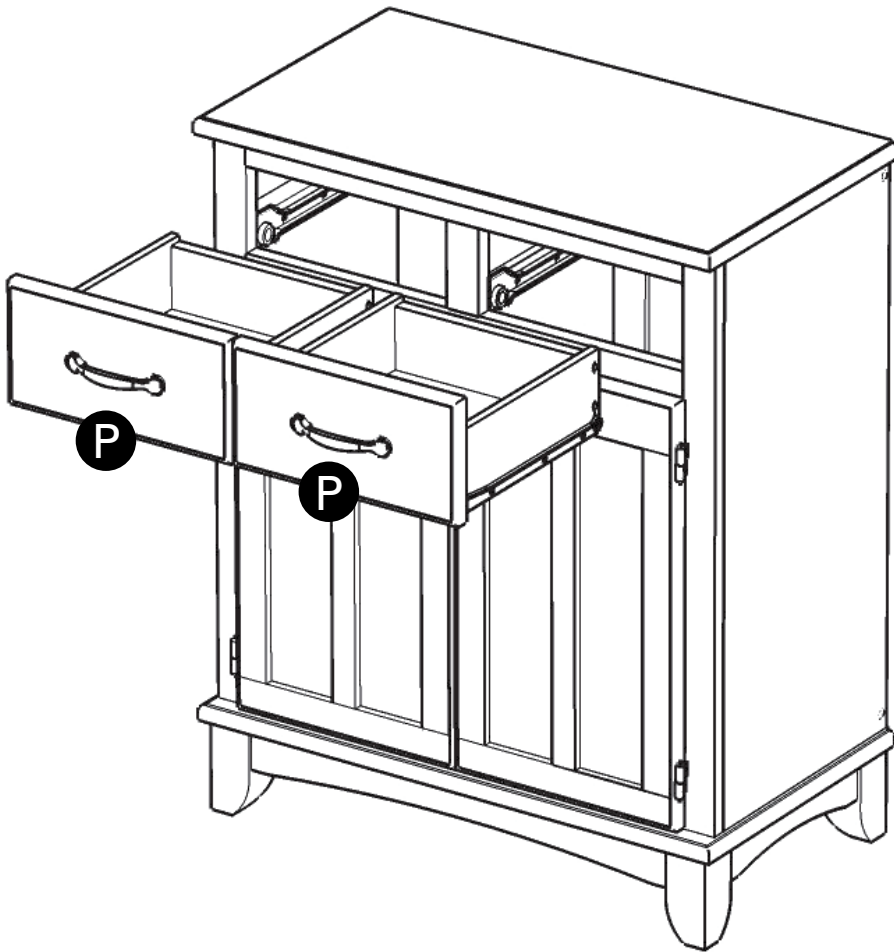
P3.  
Drawer Side  
2 pcs.



P4.  
Drawer Side  
2 pcs.



P5.  
Drawer Bottom  
2 pcs.



**STEP 12**

Slide Drawers (P) into position.

**STEP 13**

Level unit by adjusting the adjustable levelers on bottom of unit.  
(See Figure 6)

Insert Wood Screws for Back Panel into pre-drilled holes of unit.

Note: Unit must be level before tightening these screws.

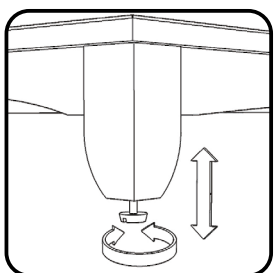
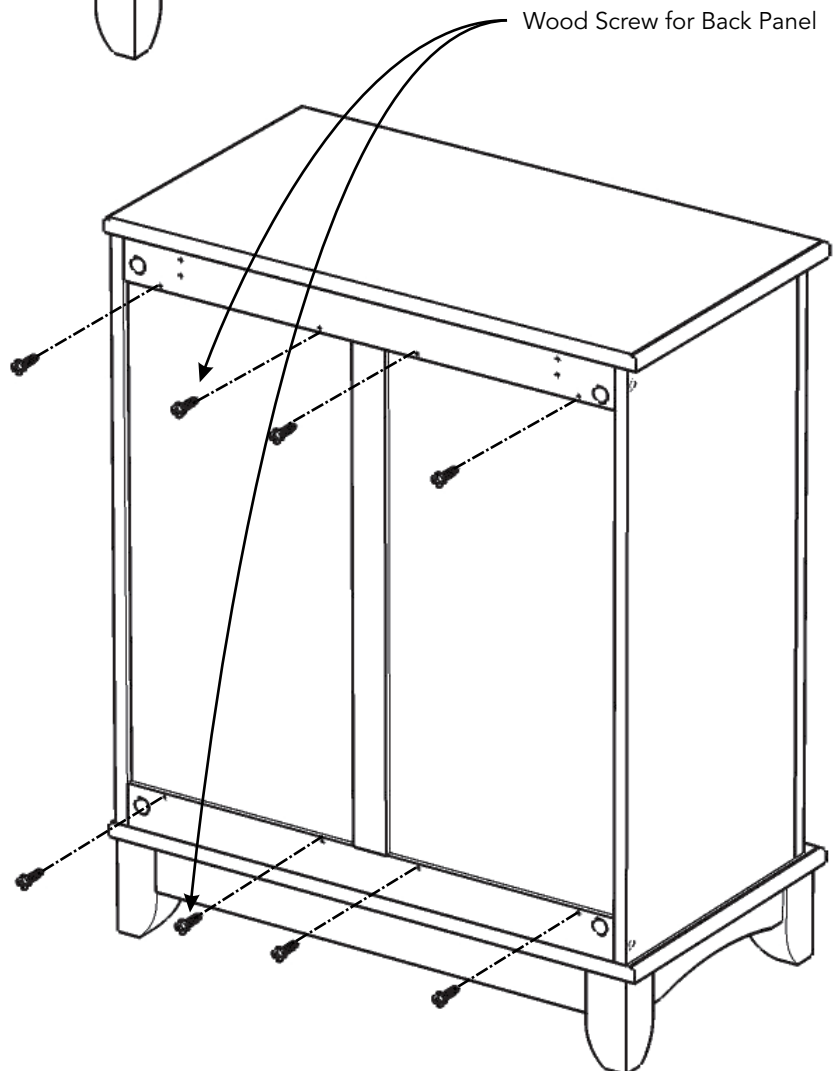


Figure 6



# Assembly Instructions 8/8

## IMPORTANT

- To help reduce the risk of the unit tipping over, the Tip-over Restraint must be installed following these instructions exactly.

## STEP 14

Place unit at desired location.

Drill a 3/8" hole in wall in-line with pre-drilled hole at top of unit.

Move unit.

Insert Anchor into the wall hole and attach Bracket with Wall Screw.

Attach Bracket at pre-drilled hole at top of unit with Wood Screw.

Move unit back into place.

Slide Tip-over Restraint through Bracket on wall and Bracket on unit.  
(See Figure 7)

Put tie end of Tip-over Restraint into lock end of Tip-over Restraint and pull until tight.

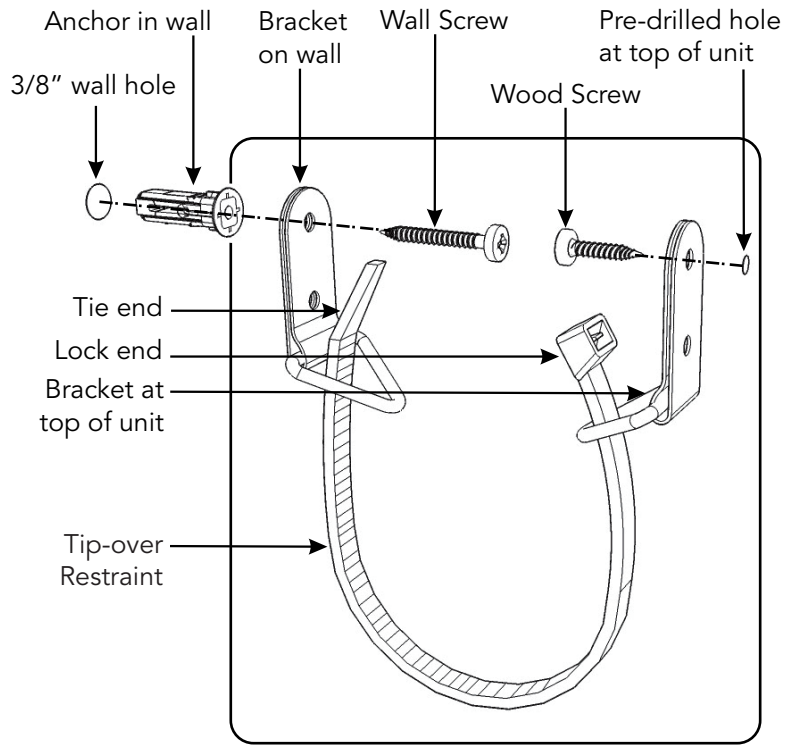
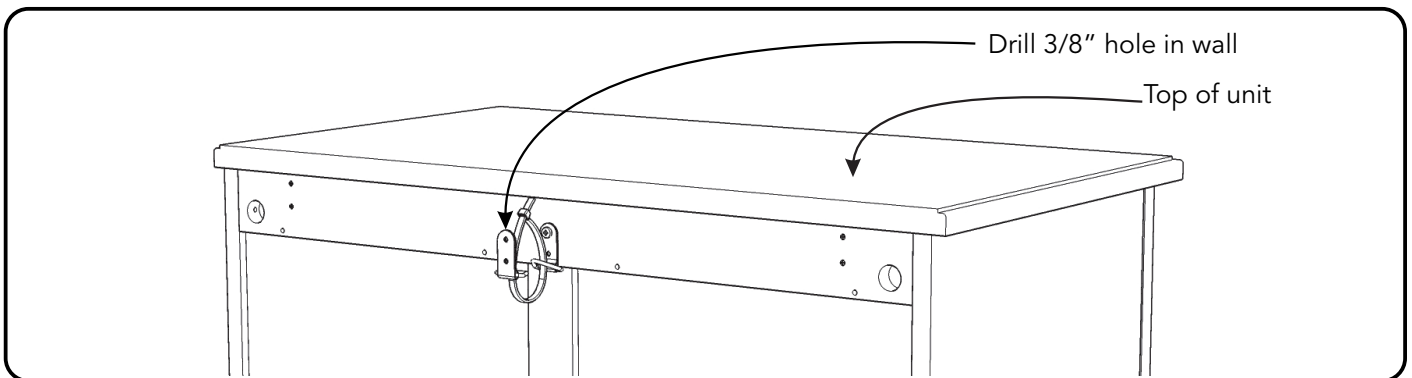
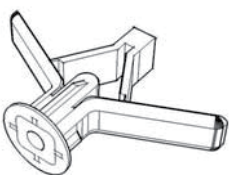


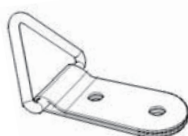
Figure 7



## Hardware List



Anchor  
1 pc. (+1 extra)



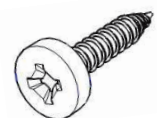
Bracket  
2 pcs. (+1 extra)



Tip-over Restraint  
1 pc. (+1 extra)



M3.5x40  
Wall Screw  
1 pc. (+1 extra)



M3.5x16  
Wood Screw  
1 pc. (+1 extra)



# CARE INSTRUCTIONS

## NEVER

allow liquids to remain on furniture.  
Absorption causes parts to warp  
and split and finishes to delaminate.

## NEVER

use glass cleaners on  
finished furniture. Ammonia  
chemically attacks the finish.



Do not use power tools  
above 8 volts to assemble.

**PREVENT  
CRACKING**



Do not place  
in direct sunlight.

**PREVENT  
FADING**



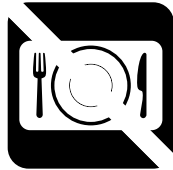
Do not write  
directly on surface.

**PREVENT  
MARKING**



Do not place hot  
objects on surface.

**PREVENT  
FINISH DAMAGE**



Do not use rubber  
based placemats.

**PREVENT  
DISCOLORING**



Do not use commercial  
waxes and polishes.

**PREVENT  
YELLOWING**

## CLEAN

with a soft cloth moistened  
in lukewarm soap and water.  
Buff with a dry clean cloth.



Home Styles will provide replacements free of charge for missing or damaged hardware or parts within 30 days of purchase. Digital images of the defective parts may be required. If the product was not purchased from an authorized retail affiliate, Home Styles is under no obligation to provide replacement parts. Parts are not available for fully assembled items nor are parts available for sale. Replacements for missing or damaged hardware or parts may be requested at:

[www.homestyles-furniture.com/customer-service/replacement-parts](http://www.homestyles-furniture.com/customer-service/replacement-parts)

Home Styles Customer Service: [www.homestyles-furniture.com](http://www.homestyles-furniture.com),  
[servicedesk@homestyles-furniture.com](mailto:servicedesk@homestyles-furniture.com), 888-680-7460, 877-831-0319