



# Ensemble™ Curve

60" x 32" Vikrell® shower, left drain  
72180110



## Features

- 3-1/2" (89 mm) threshold
- Three-piece tongue-and-groove walls with snap-together installation
- Convenient shelves provide generous storage space
- Shaving ledge/footrest for added comfort
- Durable high-gloss finish
- Innovative Dry-Block™ seal and channeled water containment system form watertight seams

## Material

- Made from solid Vikrell® material for strength, durability, and lasting beauty
- Compression-molded from our exclusive solid Vikrell® material

## Installation

- Alcove
- Left drain
- Caulk-free installation

## Recommended Products/Accessories

K-23726 Drain treatment

## Included Components

- 72181110 60" x 32" Vikrell® shower base, left drain
- 72185100 32" Vikrell® shower end wall set
- 72372100 60" Vikrell® shower back wall



## Codes/Standards

CSA B45.5/IAPMO Z124  
ASTM E162  
ASTM E662  
HUD, UM Bulletin 73

## STERLING® Vikrell® or Acrylic Baths and Shower Bases Ten-Year Limited Warranty

See website for detailed warranty information.

## Available Colors/Finishes

*Color tiles intended for reference only.*

### Color Code Description

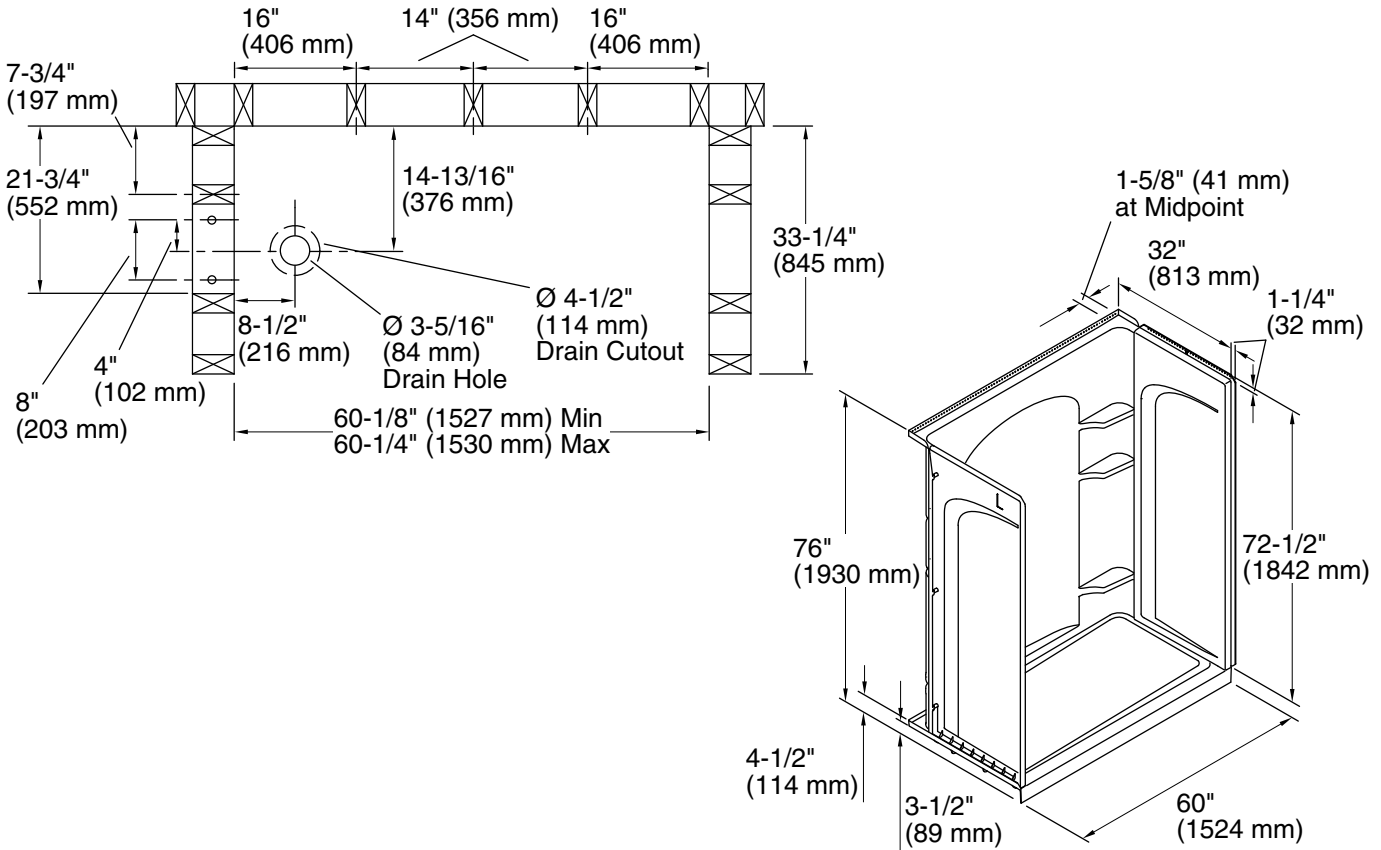
■ 0 White

1-800-STERLING (1-800-783-7546)

Kohler Co. reserves the right to make revisions without notice to product specifications.

For the most current Specification Sheet, go to [www.sterlingplumbing.com](http://www.sterlingplumbing.com).

4-16-2026 20:31 - US/CA



**Technical Information**

All product dimensions are nominal.

|                        |                     |
|------------------------|---------------------|
| Drain location:        | Left                |
| Weight:                | 125.4 lbs (56.9 kg) |
| Minimum flat for door: | 3" (76 mm)          |
| Maximum door height:   | 70-1/2" (1791 mm)   |
| Maximum door width:    | 56-5/8" (1438 mm)   |

**Notes**

Install this product according to the installation instructions.  
Studs should be positioned roughly as shown. Double studding is recommended for pivot shower door installations.