

KALLISTA®

Juxtapose® by Mick De Giulio Bar Faucet P23175-SN

Features

- A selection of products within this collection is in stock and ready to ship. Please visit kallista.com/resources/#ReadyToShip for the complete list of Ready-to-Ship products and finishes
- High-quality solid metal construction for durability and reliability
- Spout reach is 6-3/8" (162 mm)
- 1.5 gpm (5.7 lpm) maximum flow rate at 60 psi (4.14 bar)
- Single-hole installation
- 100-degree swing spout
- Sink strainer with tailpiece sold separately

Recommended Products/Accessories

L20311-00 24" Butler Sink
P23180-SN Soap/Lotion Dispenser
P23181-00 Pot Filler
P23174-SN Semi-Professional Faucet



ADA

CSA B651

Codes/Standards

ASME A112.18.1/CSA B125.1
NSF/ANSI/CAN 61
NSF/ANSI/CAN 372
DOE - Energy Policy Act 1992
California Energy Commission (CEC)
ADA
ICC/ANSI A117.1
CSA B651

KALLISTA® Five-Year Limited Warranty

See website for detailed warranty information.

Available Colors/Finishes

Color tiles intended for reference only.

Color	Code	Description
-------	------	-------------

	VS	Stainless
---	----	-----------

1-888-4-KALLISTA (1-888-452-5547)

Kallista reserves the right to make revisions without notice to product specifications.

For the most current Specification Sheet, go to www.kallista.com.

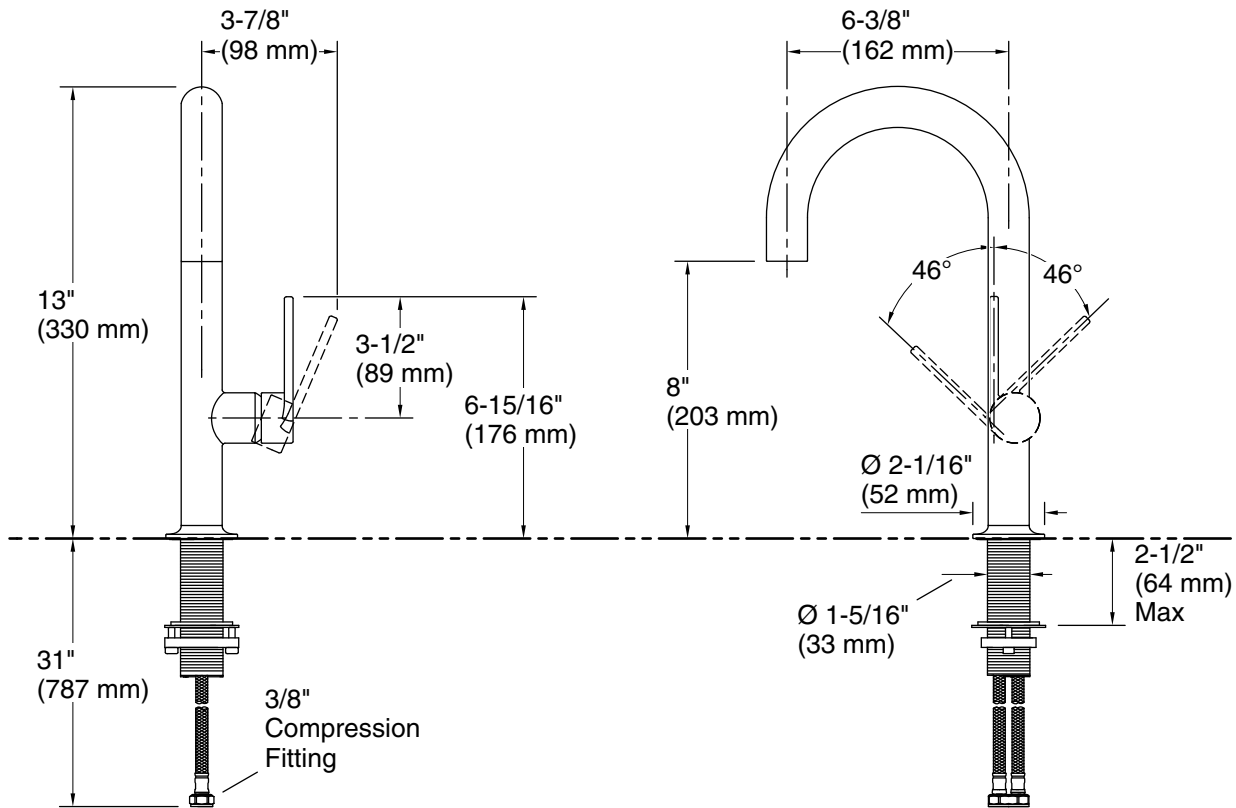
9-21-2025 12:25 - US/CA

KALLISTA

Juxtapose® by Mick De Giulio

Bar Faucet

P23175-SN



Technical Information

All product dimensions are nominal.

Faucet flow rate: 1.5 gal/min (5.7 l/min)

Spout:

Spout reach: 6-3/8" (162 mm)

Handle clearance: 3-7/8" (98 mm)

Pressure/fixture Supply Requirements

Min flow rate: 1.2 gpm (4.5 lpm)

Notes

Install this product according to the installation instructions.

ADA compliant for faucet handles only
ADA, CSA B651 compliant when installed to the specific requirements of these regulations.