

ASSEMBLY INSTRUCTION

WAVE PATTERN OFFICE CHAIR WITH TILT MECHANISM

A Gas Lift



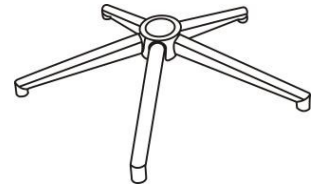
1pc

B Base Cap



1pc

C Pentagonal Feet



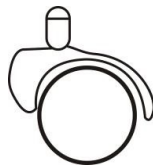
1pc

D Seat



1pc

E Caster



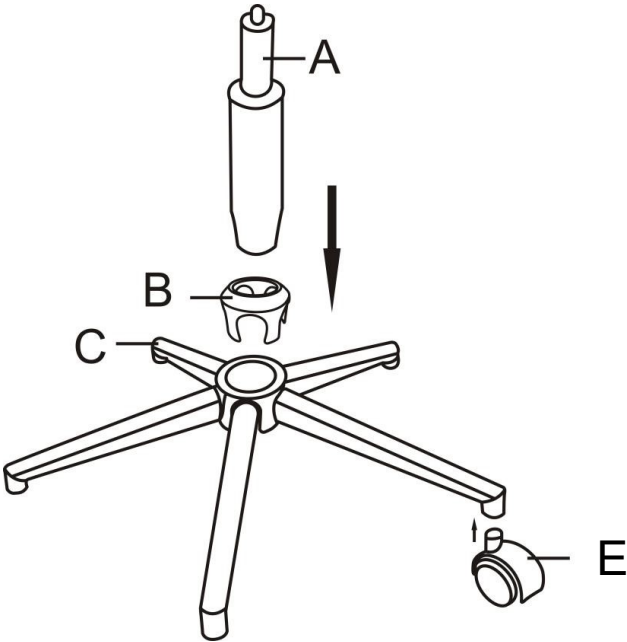
5pcs



This page lists all the contents included in the box. Please take the time to identify the hardware as well as the individual components to this product. As you unpack and prepare for assembly, place the contents on a carpeted or padded area to protect them from damage.

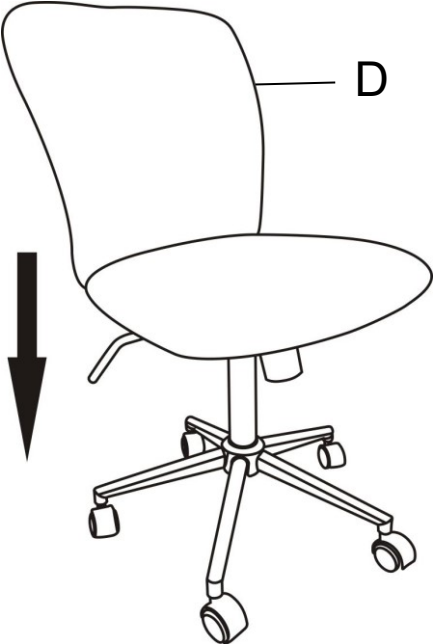
1

Attach Gas Lift (A), Base Cap (B) and Caster (E) to Pentagonal Feet (C) as shown.



2

Attach Seat (D) to assembled chair base as shown.



Cleaning & Care

Treat surface with care. Surface is resistant to scratches but is not scratch resistant. Clean surfaces with a dry or damp soft cloth. Do not use abrasive cleaners. Hardware may loosen over time. Periodically check that all connections are tight.