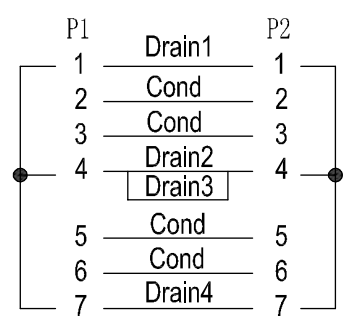
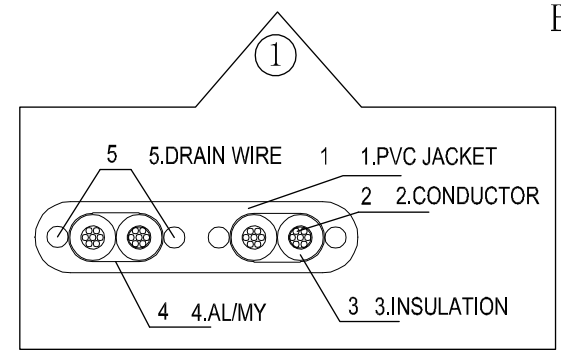


PIN ASSIGNMENT

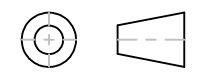


BOTTOM VIEW



- SPEC:**
1. SATA FLAT CABLE UL21149 (2C 26AWG +AL+DRAIN*2) *2 JACKET PVC RED IN COLOR
 2. CONNECTOR:SATA 7PIN FEMALE PIN GOLD PLATED
 - 3.CONNECTOR:ESATA 7P MALE WITH SHELL
 4. METAL BRACKET
 5. MOLDING PVC BLACK IN COLOR
 6. SCREW

THIRD ANGLE PROJECTION



GENERAL NOTES

DIMENSIONS ARE IN MM - DO NOT SCALE
 THIS DOCUMENT CONTAINS CONFIDENTIAL, PROPRIETARY INFORMATION THAT IS PROPERTY OF STARTECH.COM



PRODUCT ID	ESATAPLATE1		
DESCRIPTION	1 Port SATA to eSATA Slot Plate Bracket		
DO NOT SCALE	SHEET: 1 OF: 1	UPLOAD DATE: 4/19/2022	