

SATA Hard Drive Enclosure

3.5" USB 2.0 SATA HDD Enclosure

SAT3510U2

Instruction Manual



Actual product may vary from photo

INFO SAFE

StarTech.com
Making hard-to-find easy!

FCC Compliance Statement

This equipment has been tested and found to comply with the limits for a Class B digital device, pursuant to part 15 of the FCC Rules. These limits are designed to provide reasonable protection against harmful interference in a residential installation. This equipment generates, uses and can radiate radio frequency energy and, if not installed and used in accordance with the instructions, may cause harmful interference to radio communications. However, there is no guarantee that interference will not occur in a particular installation. If this equipment does cause harmful interference to radio or television reception, which can be determined by turning the equipment off and on, the user is encouraged to try to correct the interference by one or more of the following measures:

- Reorient or relocate the receiving antenna.
- Increase the separation between the equipment and receiver.
- Connect the equipment into an outlet on a circuit different from that to which the receiver is connected.
- Consult the dealer or an experienced radio/TV technician for help.

Use of Trademarks, Registered Trademarks, and other Protected Names and Symbols

This manual may make reference to trademarks, registered trademarks, and other protected names and/or symbols of third-party companies not related in any way to StarTech.com. Where they occur these references are for illustrative purposes only and do not represent an endorsement of a product or service by StarTech.com, or an endorsement of the product(s) to which this manual applies by the third-party company in question. Regardless of any direct acknowledgement elsewhere in the body of this document, StarTech.com hereby acknowledges that all trademarks, registered trademarks, service marks, and other protected names and/or symbols contained in this manual and related documents are the property of their respective holders.

Table of Contents

Introduction	1
Features	1
System Requirements	1
Package Contents	1
Installation	2
Hard Drive Installation	2
Connecting SAT3510U2 to the host computer	4
Disconnecting SAT3510U2 from the host computer	4
Specifications	5
Technical Support	5
Warranty Information	5

Introduction

Thank you for purchasing a StarTech.com 3.5" USB 2.0 SATA HDD Enclosure. The perfect solution for high-speed data backups, SAT3510U2 supports high capacity hard drives to maximize storage capability, while housing the drive in a lightweight enclosure, and features a built-in cooling fan to keep the drive running at optimal temperatures.

Features

- Supports almost any Universal fitting for 3.5" SATA I/II hard drives
- Lightweight, durable aluminum finish with built-in cooling fan
- Power and data transfer LEDs offer simple monitoring of drive activity
- Works with High Capacity HDD's - Supports 750 GB's

System requirements:

- 3.5" SATA hard drive
- Host computer with an available USB port. Operating system requirement: Windows ME/2000/XP/VISTA/Mac OS 9x and up

Package contents:

This package should contain:

- 1 x Enclosure
- 1 x Power Adapter
- 1 x Instruction Manual
- 1 x Stand
- 1 x Screw kit
- 1 x USB Cable

Installation



WARNING: Hard drives require careful handling, especially when being transported. If you are not careful with your hard disk, lost data may result. Always handle your hard drive and storage device with caution.



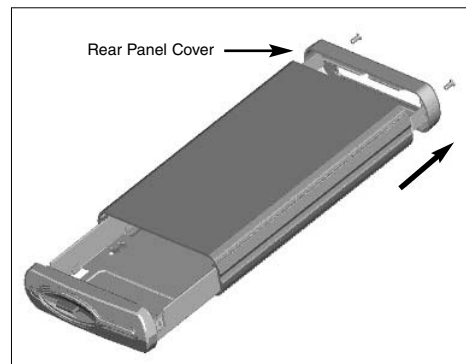
WARNING: Hard drives, like all computer equipment can also be severely damaged by static electricity. Be sure that you are properly grounded before opening your computer case or touching any components. StarTech.com recommends that you wear an anti-static strap when installing any computer equipment. If an antistatic strap is unavailable, discharge yourself of any static electricity build-up by touching a large grounded metal surface (such as the computer case) for several seconds.



WARNING: Do not disconnect any cables or power sources while the hard drive is active. This can result in data loss and possible damage to the hard drive.

Hard Drive Installation

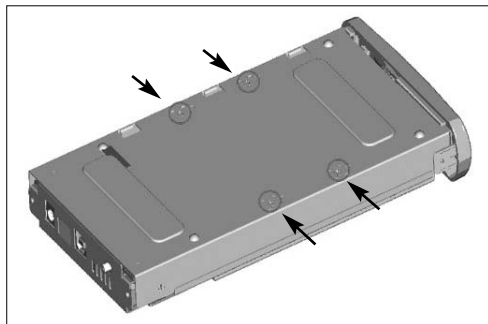
1. Unscrew the enclosure and remove the rear panel cover. Pull the tray out of the enclosure:



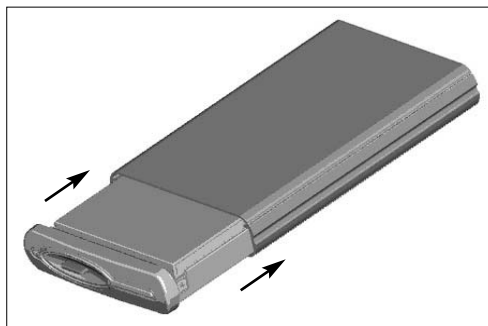
2. Place the 3.5" SATA drive in the tray, with the hard drive SATA connector facing the SATA connections provided by the drive tray:



3. With the hard drive connected to the tray (using the SATA connection), turn the tray over and place it on a flat, stable surface, exposing the base of the tray. Attach the drive to the enclosure tray, using the screw kit provided:



4. Once the drive has been secured to the drive tray, insert the tray (with drive) into the enclosure:



5. Secure the tray in the enclosure using the screws removed in step #1.



The hard drive has now been installed in the enclosure.

Connecting SAT3510U2 to the host computer

Please note that if you are using Windows 98/98SE, you are required to install the necessary drivers, prior to usage. These files can be located in the StarTech.com **Downloads** section. If you are using Windows ME, 2000, XP or higher, no driver installation is required, as the operating system will automatically install the necessary files upon successful connection to the host computer:

1. Connect the power adapter (included) to the drive enclosure, using the power port on the rear panel of the enclosure (marked **DC12V**). Connect the remaining end of the power adapter to an available power outlet.
2. Insert the type 'B' connector provided by the USB cable (included) into the port marked **USB 2.0** on the rear panel of the drive enclosure. Insert the remaining (type 'A') connector into an available USB port on the host computer.
3. On the rear panel of the enclosure, move the Fan Switch to the **ON** position.
4. Power the drive enclosure by pressing the side of the remaining switch marked with a dot.



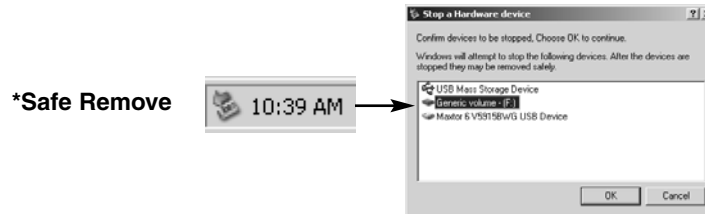
Please note: SAT3510U2 features an **ON/OFF** switch that controls the internal cooling fan. Please note that to ensure the best possible operating environment for the installed hard drive and reduce the risk of damage to the drive, the fan should be left in the **ON** position. This feature is intended for temporary use only, as necessary for quiet environments.

Disconnecting SAT3510U2 from the host computer



WARNING: Do not disconnect any cables or power sources while the hard drive is active. This can result in data loss and possible damage to the hard drive.

1. In Windows, click on the **Safe Remove** icon located in the taskbar, and select the connected enclosure from the menu provided, then click **Stop**. From the menu that appears next (pictured below), select the device to disconnect, and click **OK**.



2. Once the connected hard drive activity has terminated, it is safe to power down and remove the enclosure from the host computer, by disconnecting the USB cable from the host computer.

Specifications

Certifications	ROHS, FCC, CE, UL
Bus Type	USB2.0
Connectors	External: 1 x USB B Female Connector Internal: 1 x SATA data 1 x SATA power
Power Adapter	12V 2A Power adaptor
Maximum Data Transfer Rate	USB2.0 at 480Mbps max (using USB 2.0 connection to host)
Chipset	Sunplus 215
OS Support	Windows ME/2000/XP/VISTA/Mac OS 9x and up (Windows 98, with drivers downloaded from StarTech.com)

Technical Support

StarTech.com's lifetime technical support is an integral part of our commitment to provide industry-leading solutions. If you ever need help with your product, visit www.startech.com/support and access our comprehensive selection of online tools, documentation, and downloads.

Warranty Information

This product is backed by a one-year warranty. In addition, StarTech.com warrants its products against defects in materials and workmanship for the periods noted, following the initial date of purchase. During this period, the products may be returned for repair, or replacement with equivalent products at our discretion. The warranty covers parts and labor costs only. StarTech.com does not warrant its products from defects or damages arising from misuse, abuse, alteration, or normal wear and tear.

Limitation of Liability

In no event shall the liability of StarTech.com Ltd. and StarTech.com USA LLP (or their officers, directors, employees or agents) for any damages (whether direct or indirect, special, punitive, incidental, consequential, or otherwise), loss of profits, loss of business, or any pecuniary loss, arising out of or related to the use of the product exceed the actual price paid for the product. Some states do not allow the exclusion or limitation of incidental or consequential damages. If such laws apply, the limitations or exclusions contained in this statement may not apply to you.

About StarTech.com

StarTech.com is “The Professionals’ Source for Hard-to-Find Computer Parts”. Since 1985, we have been providing IT professionals with the quality products they need to complete their solutions. We offer an unmatched selection of computer parts, cables, server management solutions and A/V products and serve a worldwide market through our locations in the United States, Canada, the United Kingdom and Taiwan.

Visit **www.startech.com** for complete information about all our products and to access exclusive interactive tools such as the Parts Finder and the KVM Reference Guide. StarTech.com makes it easy to complete almost any IT solution. Find out for yourself why our products lead the industry in performance, support, and value.