



Verdera®
34" x 30" two-door medicine cabinet
K-99009-SCF

Features

- Adjustable tempered-glass shelves provide additional bathroom storage
- Front mirror, inside door mirror, and back panel mirror provide superior visibility
- 108° door swing with slow-close hinges

Material

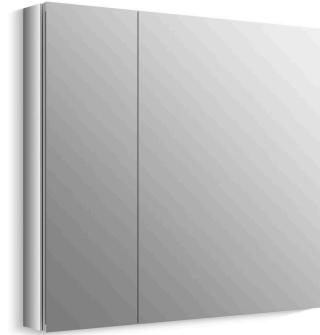
- Anodized aluminum construction with a durable rustproof and chip-resistant finish

Installation

- Can be installed with left- or right-hand swing
- Includes mounting hardware for surface or recessed installation
- Mirrored side kits for surface mount installation sold separately

Required Products/Accessories

K-99012 30" mirrored side kit for medicine cabinet

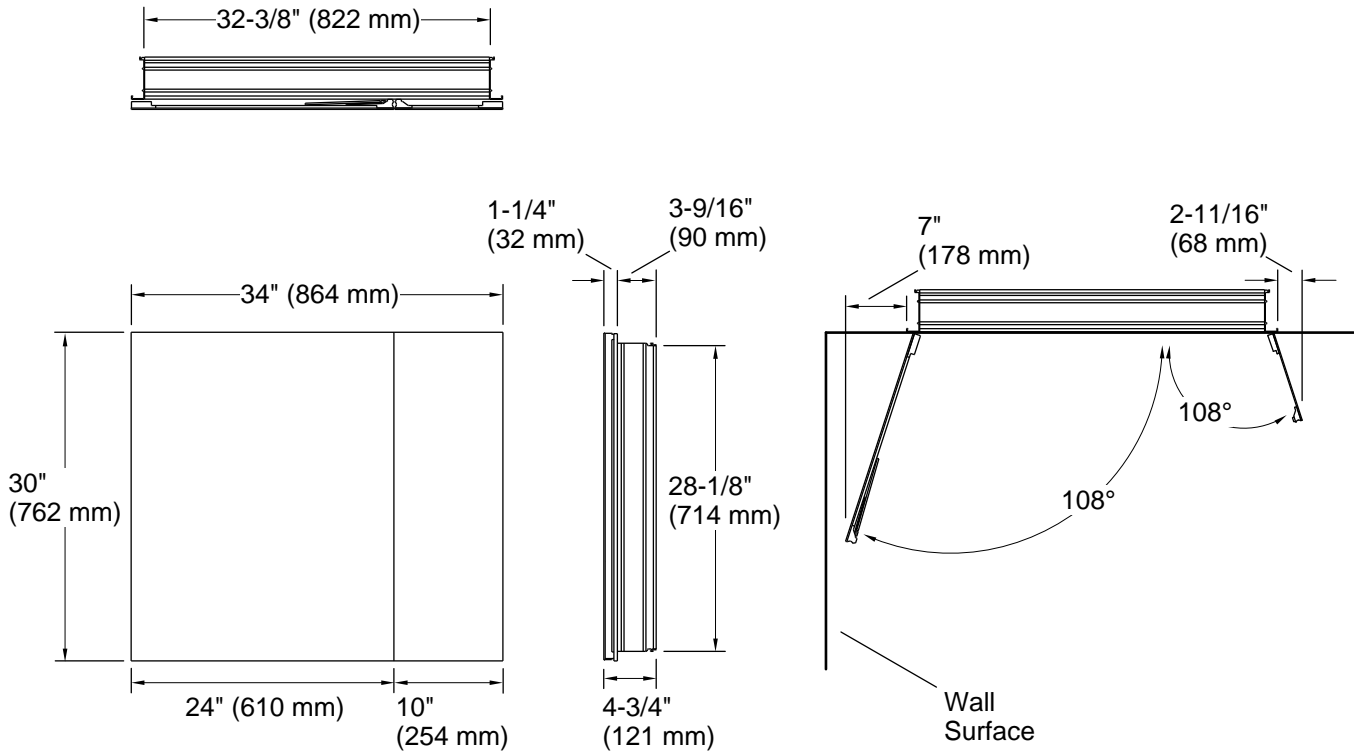


Codes/Standards

None Applicable

**KOHLER® One-Year Limited
Warranty**

See website for detailed warranty information.



Technical Information

All product dimensions are nominal.

Notes

Install this product according to the installation guide.

To recess mount, the wall cavity must be framed and the cabinet secured to framing studs. Reroute electrical or water supply lines from the cavity. Consult a professional if drain or vent piping is encountered, or if the wall is load-bearing.

To determine the height of the cabinet, ensure the door will clear all obstacles (such as a faucet). A minimum 3" (76 mm) distance is required.