



Thank you for purchasing Leick Furniture products.
 Contact customer service for comments or concerns.

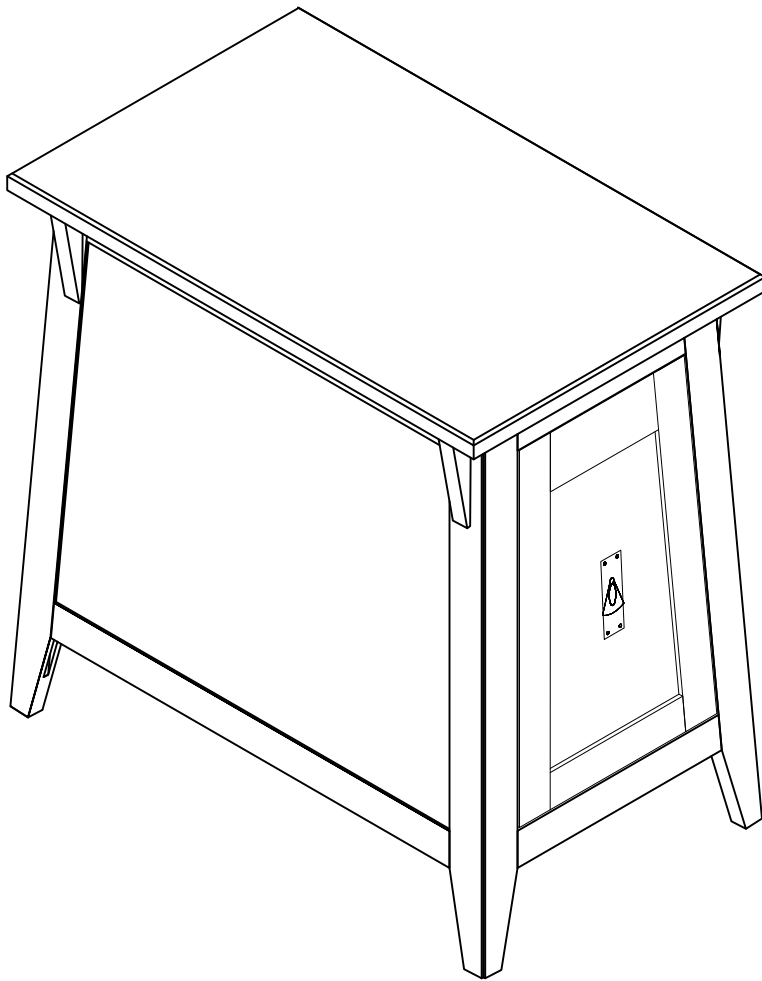
Sheboygan, WI


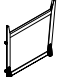


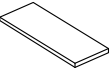
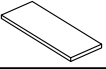




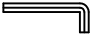
920-451-4060

info@leickfurnituresince1910.com

www.leickfurnituresince1910.com

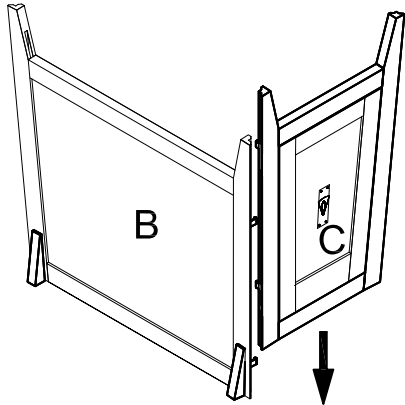
Assembly Instructions, #10032 Cabinet End Table



A: Top Assembly	
B: (2) Side Frames	
C: Front Frame	
D: Back Frame	
E: Bottom Panel	
F: Middle Shelf	
G: (8) Shelf Supports	
H: (6) Bolts	
I: (6) Flat Washers	
J: (6) Lock Washers	
K: Allen Wrench	

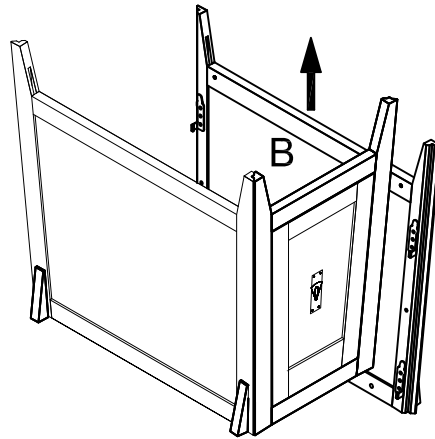
Step 1

Assemble upside down. Put one side frame (B) to the front frame (C) making sure both corner fasteners line up. Tap down with your hand or a light tap with a hammer should do it.



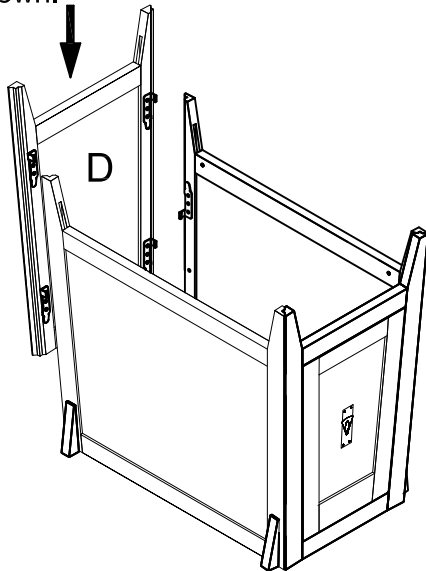
Step 2

Do the same as step one with the other side frame (B) to the front frame (C).



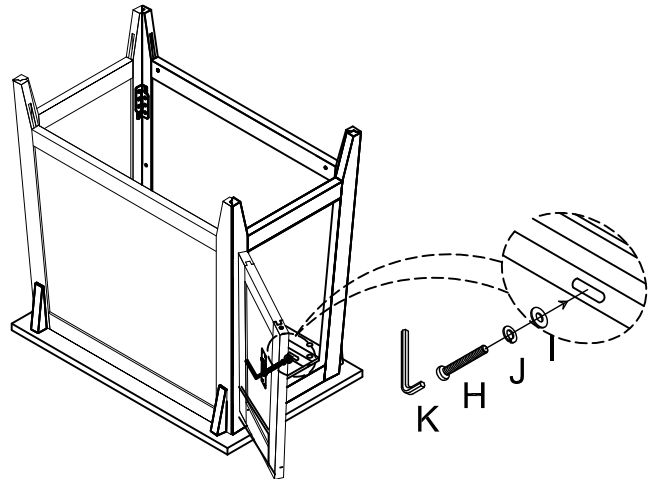
Step 3

Line up the four corner fasteners of the back frame (D) and tap that down.



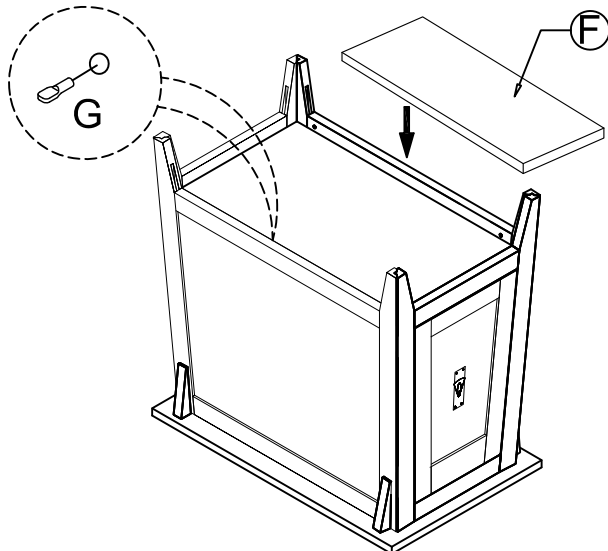
Step 4

Put the top (A) upside down on a soft surface. Place the above side (front, back, and frame assembly) onto the top. Insert all the bolts through the cleats on the top into the table frames, tighten.



Step 5

Place the middle shelf (F) into the table. It will rest on the corner fasteners. Insert shelf supports into holes.



Step 6

Do the same thing with bottom panel (E), then turn the table right side up.

