

INSTRUCTION/INSTALLATION SHEET SURGE PROTECTED OUTLET KIT

IS-0291 REV. B

1. Introduction

The On-Q/Legrand Surge Protected Outlet Kit, P/N 364569-02, provides the option of mounting a surge protected 120VAC outlet into an On-Q Service Center Enclosure. The kit consists of a surge protected duplex receptacle outlet, metal receptacle box, cover plate, and 4 mounting screws (see **Figure 1**).

2. Description

The Surge Protected Outlet Kit protects connected loads from potentially damaging voltage spikes (surges) caused by lightning strikes, or the switching of inductive loads (motor loads), as well as from RFI (radio frequency interference). It cannot provide protection in the rare event of a direct lightning strike. An audible signal will alert you to the failure of the surge protection component. If audible signal is activated, the device has received power surges beyond its capacity and is no longer functioning as a surge protector. The alarm can be deactivated by unplugging the Surge Suppressor Module (see **Figure 2**). Replace with a new Surge Suppressor Module, P/N 364767-01, to restore surge protection.

3. Installation

- A. Remove knockout metal on bottom right of enclosure (see **Figure 3**).
- B. Insert metal receptacle box and secure with sheet metal screws.
- C. Route NM cable to receptacle box and secure.
- D. Connect duplex outlet and secure to metal receptacle box.
- E. Install outlet face plate.

NOTE: The Surge Protected Outlet Kit, PN 364569-02, contains outlets positioned in such a manner as to possibly prevent power transformers from properly fitting within the confines of the enclosure. The power transformer may be restricted by the enclosure door or the rear wall of the enclosure.

Use a Surge Protected Outlet Kit and one or two Power Strip Modules, PN 364266-01. Or, use a Duplex Outlet Power Kit, PN 364569-01, with one or two Surge Protected Power Strip Modules, PN 364771-01. See Technical Bulletin TB-0010.

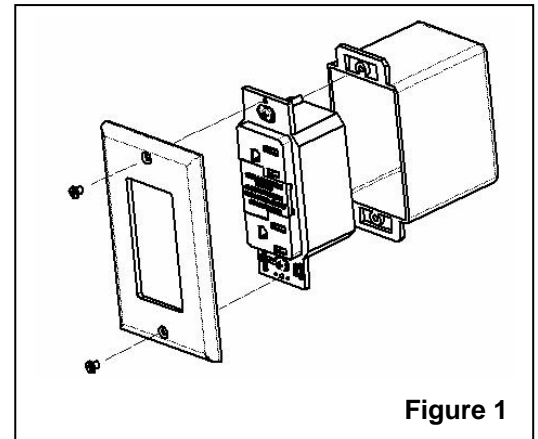


Figure 1

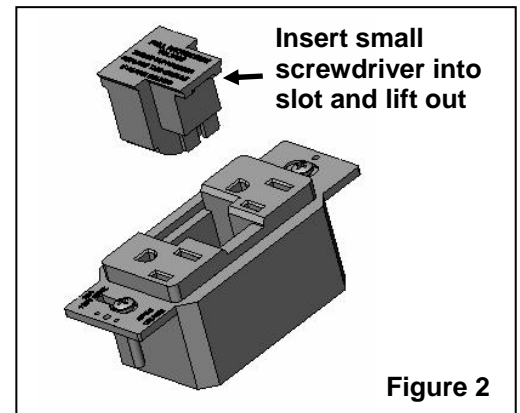


Figure 2

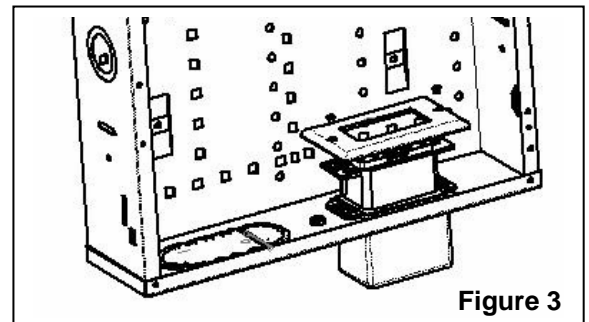


Figure 3