



H O M E E L E G A N C E

Assembly Instruction

ITEM NO.:9327 CC-2

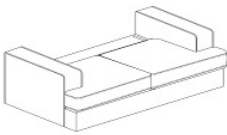
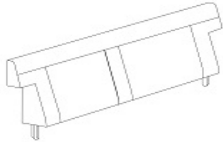



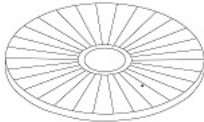
LOVE SEAT



Legs & hardware are stored at the bottom of seat, please take out the legs and hardware for assembly.

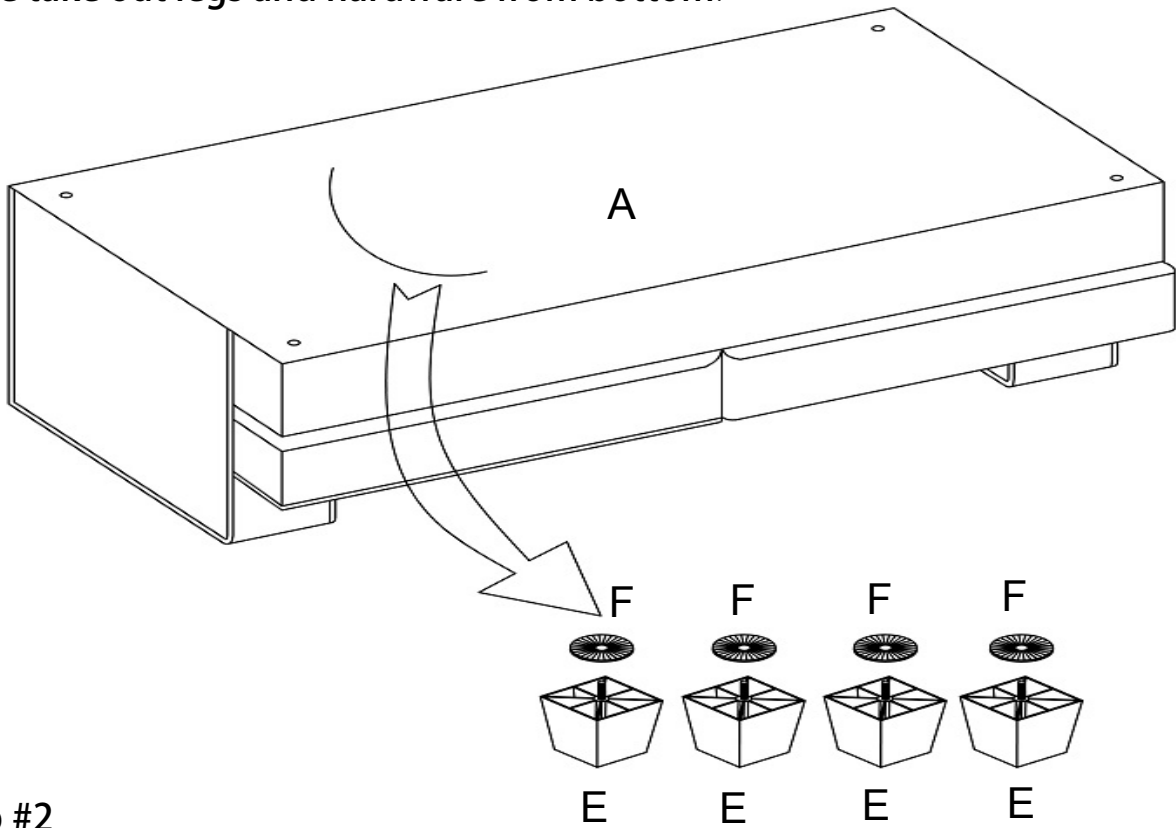
Note: Do not use power tools for assembly. Power tools increase the risk of over tightening which lead to splitting or cracking the wood.

Component list

No	Drawing	Qty	Description
A		1	SEAT
B		1	BACK REST
C		1	RSF BACK CUSHION
D		1	LSF BACK CUSHION
E		4	PLASTIC LEGS
F		4	PLASTIC WASHER (\varnothing 1.89")

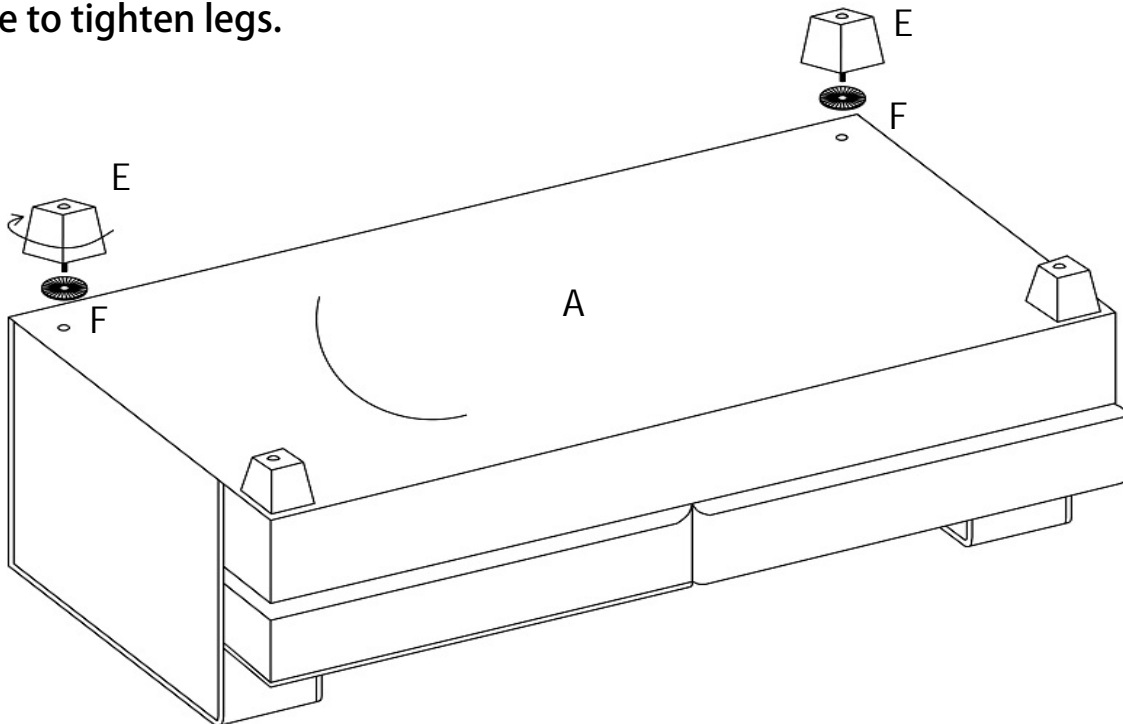
Step #1

Please take out legs and hardware from bottom.



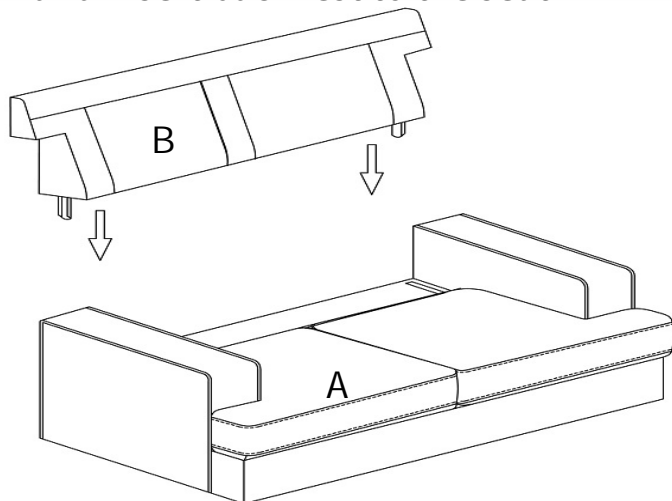
Step #2

Place washer on the top of the legs, rotate to tighten legs.



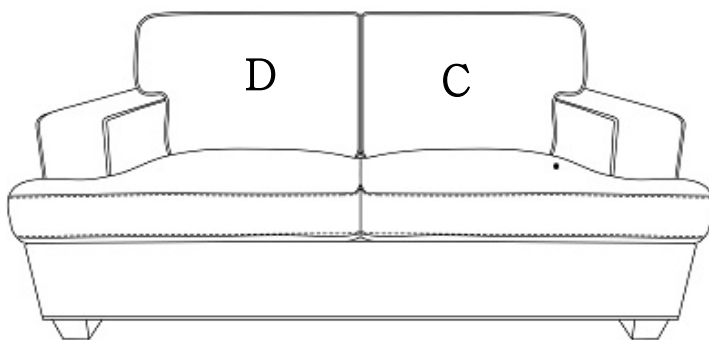
Step #3

Align and insert back rest to the seat.



Step #4

Completed.



Care Instruction for Linen-Like Furniture:

In order to maintain the original appearance of your linen-like Furniture, please follow below simple care procedures:

- Avoid exposing furniture directly to sunlight or heating and air conditioning outlets. Sunlight and or exposure to heating and air conditioning outlets will fade/damage linen-like.
- Vacuum or wipe with a soft cloth to remove dust.



For items use on wooden floor, hard surfaces or carpets, it is recommended to Install protective pads under all legs and supports to avoid/prevent from damages/scratches and discoloration.