

SAVANT

Savant® Shade Coupler (SHA-B5xx-00)

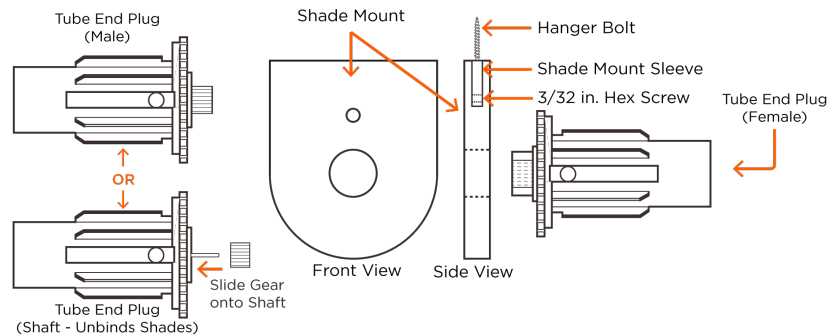
Quick Reference Guide



When the total length that the shade will cover is 8 feet or longer, Savant recommends the SHA-B5xx coupler be used. This coupler mounts between the motor side shade mount and the idler side shade mount. The SHA-B5xx kit contains three tube end plugs which each play a different role which is shown in the **Box Contents** section below. This coupler can be used with either the floating/outside type mount or with the inside/jamb type mount. The SHA-B5xx is installed using a shade mount sleeve and 2 inch hanger bolt that is screwed directly to the wall (if sub wall allows). If required, a drywall anchor can be used. Ensure both the shade motor and shade idler mounts are installed before installing this coupler. The endpoint shade mounts should be used as a reference point when mounting.

Box Contents

- (1) Shade Mount - Floating Outside Mount Coupler
- (1) Shade Tube End Plug (male) - Motor Side
- (1) Shade Tube End Plug (female) - Idler Side (female)
- (1) Shade Tube End Plug (shaft) - Unbinds the shades and allows them to operate independent of each other. Typical install for this type of end plug includes a shade motor installed at both endpoints of the window.
- (1) 2 inch Hanger Bolt
- (1) 1 inch Shade Mount Sleeve
- (1) #6 Pan Head Screw
- (1) Isolator Gear
- (1) Quick Reference Guide (this document)



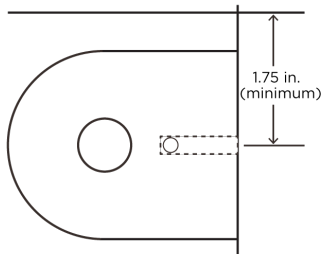
Note: For additional documentation on installing this shade mount as well as information on all phases of shades installation, refer to the following documentation on the **Savant Customer Community**.

- Shade Installation and Wiring Guide (009-1532-xx)

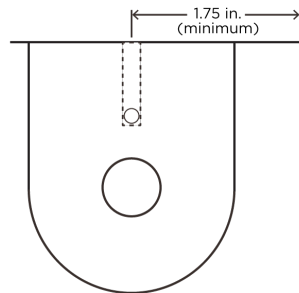


HELPFUL INFORMATION! Prior to starting the mounting process, review the next few items below to ensure a trouble free install.

Horizontal Mount



Vertical Mount



- Install the shade mount so that the center point of the mount is installed at least 1 ¾ inch (minimum) from any obstructions.
- To reduce marking up walls, it is recommended that painters tape be used whenever drilling is involved.

Mounting Instructions

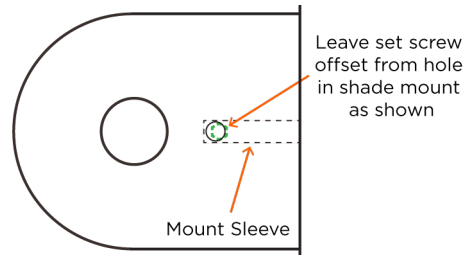
1. Mark on the wall or ceiling where the hanger bolt will be mounted. Ensure the center point of the mount is at least 1 ¾ inch from any obstructions. Savant recommends using a laser level or similar techniques to ensure the SHA-B5xx shade mount is installed in line with the endpoint shade mounts.
2. Prepare the wall and install hanger bolt. Leave ½ inch of machine thread exposed.



HELPFUL! Savant recommends using a hanger bolt installation tool (8-32 thread) to thread the hanger bolt into the wall. **DO NOT** use the provided sleeve to drive hanger bolts into wall as damage to the sleeve will occur.

3. Install the supplied #6 pan head screw ⁹/₁₆ inch directly above or below the hanger bolt (measurements are made from the center point of the hanger bolt). This screw will sit inside the opening in rear of shade mount when shade mount is installed and keeps the shade mount from twisting.
4. Using a ³/₃₂ inch allen wrench, turn the hex head set screw in the 1 inch mounting sleeve so the set screw is not protruding from either side of the sleeve. At this point, the shade mount sleeve should easily slide in and out of the hole in the rear of the shade mount. See **Horizontal** and **Vertical Mount** diagrams above for position of the hole in shade mount.

5. Screw the mounting sleeve onto the hanger bolt until the hex head set screw in the sleeve is positioned slightly offset from the hole in the shade mount (see diagram). Leaving the set screw offset will allow the shade mount to be pulled tight to the wall in the next step.
6. Slide the shade mount over the sleeve until the set screw is visible through hole on side of mount. With $\frac{3}{32}$ inch allen wrench, turn the set screw counterclockwise to back off the set screw a bit until it rests within the hole on the side of the mount. This will pull the mount tight against the wall or ceiling.



7. Verify shade mount is tight to the wall. If not, turn in the set screw, remove the shade mount, and adjust the mounting sleeve to ensure the mount is pulled tight to the wall or ceiling.