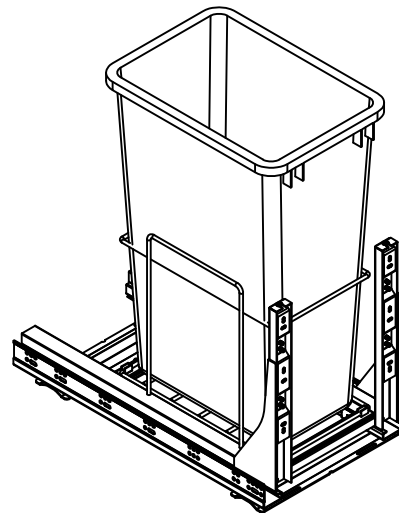
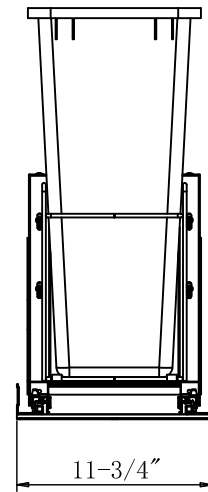
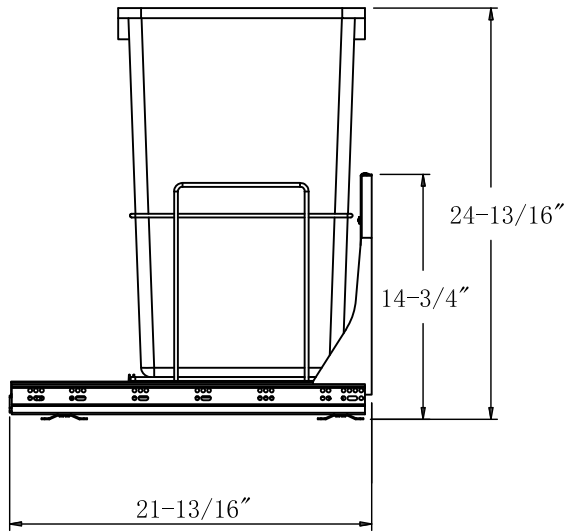


THE INFORMATION CONTAINED IN THIS DRAWING IS THE SOLE PROPERTY OF HARDWARE RESOURCES INC. ANY REPRODUCTION IN PART OR AS A WHOLE WITHOUT THE WRITTEN PERMISSION OF HARDWARE RESOURCES INC. IS PROHIBITED.



UNLESS OTHERWISE SPECIFIED DIM ARE IN MILLIMETERS (mm)	THIRD ANGLE PROJECTION		hardware resources			
GENERAL TOLERANCES		MATERIAL	FINISH	TITLE		
0.00 - 14.99	±0.10	PLASTIC +STEEL	GREY+PC	SINGLE 50QT TRASHCAN PULLOUT		
15.00 - 39.99	±0.20			DRAWN BY		DATE
40.00 - 74.99	±0.30	PETER WEN		20220111	proi_re	
75.00 - 99.99	±0.45	DESIGNED BY		DATE	DRAWING NUMBER	vision
100.00 - 199.99	±0.70				WC-EMBM-S50G	
200.00 - 299.99	±1.00	APPROVED BY		DATE	SIZE	RELEASE LEVEL
300.00 -	±1.10				A3	SCALE 1:1
ANGLE	±1.0°				SHEET	1 OF 1