

CAUTION: Read instructions carefully and turn electricity off at main circuit breaker panel before beginning installation.

2601-XXXWB

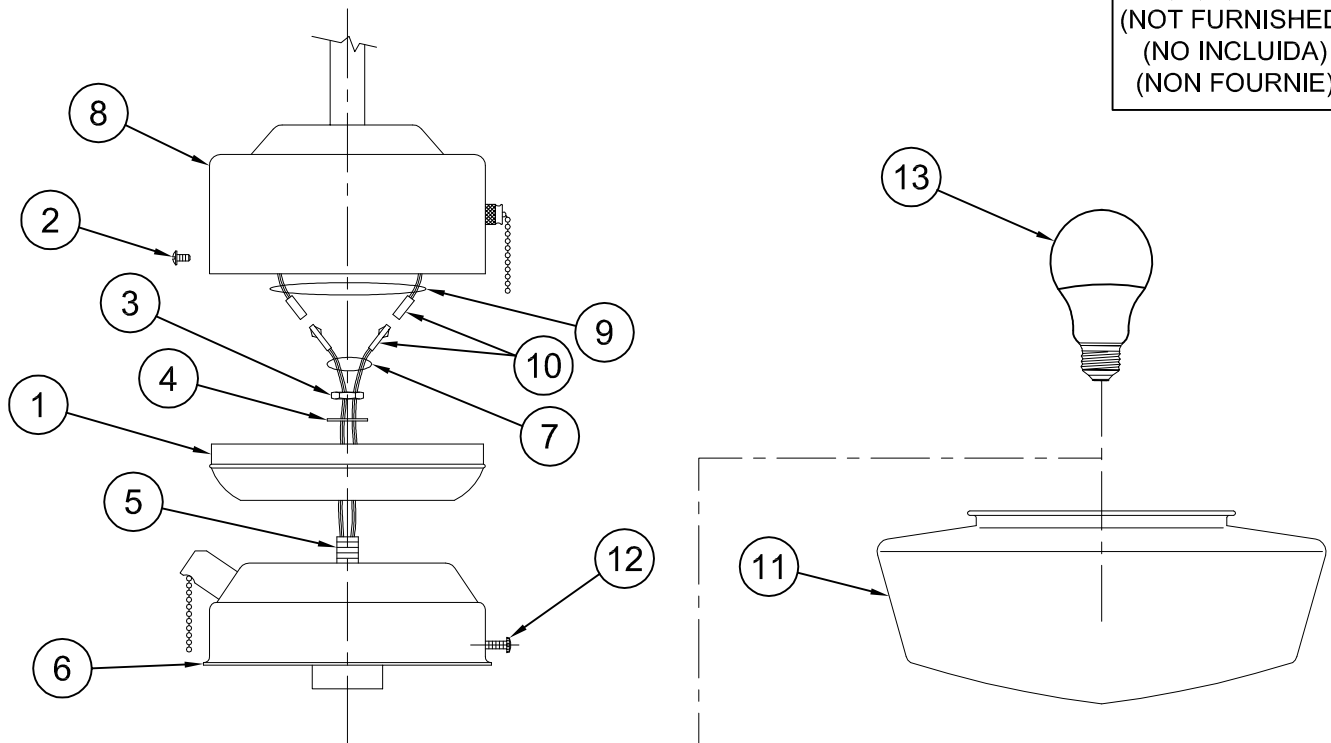
WARNING - If any Special Control Devices are used with this Fixture, Follow the Instructions Carefully to assure full compliance with N.E.C. requirements. If there are any questions, contact a Qualified Electrical Contractor.

WARNING - This product contains chemicals known to the State of California to cause cancer, birth defects and /or other reproductive harm. Thoroughly wash hands after installing, handling, cleaning, or otherwise touching this product.

CAUTION - All glass is fragile, use care when handling Glass Shade and lamps.

- 1.- Remove the Switch Housing Cover (1) by removing the three Mounting Screws (2).
- 2.- Remove the Center Plug from the Switch Housing Cover (1).
- 3.- Remove the Hexnut (3) and Lockwasher (4) from the Stem (5) of the Light Kit Fitter (6).
- 4.- Insert the Light Kit Wires (7) thru the center hole of the Switch Housing Cover (1) and thread Cover onto the top of the Light Kit Fitter (6). Replace Lockwasher (4) and Hexnut (3) onto Stem (5) to secure in place.
- 5.- Carefully pull down Blue and White Wires from the Switch Housing (8) (labeled "For Light Kit Connection"). Connect Light Kit Wires (7) to Switch Housing Wires (9) (Black to Blue and White to White) by connecting male to female Quick Connects (10). Take care to align tabs for secure fit.
- 6.- Align the screw holes of the Switch Housing Cover (1) with the screw holes of the Switch Housing (8) and secure with the three Screws (2) removed in step 1.
- 7.- Install Lamp (13).
- 8.- Insert Glass Shade (11) into Fitter (6) and secure in place with the three Thumbscrews (12).

1, 2, 8, 9 & 10
 (NOT FURNISHED)
 (NO INCLUIDA)
 (NON FOURNIE)



Net Weight:
 1.98 Lbs. (0.90 Kgs.)