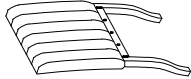
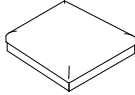
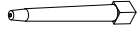


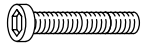


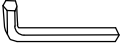
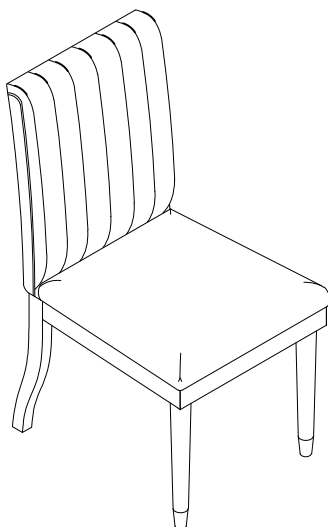


ASSEMBLY INSTRUCTION

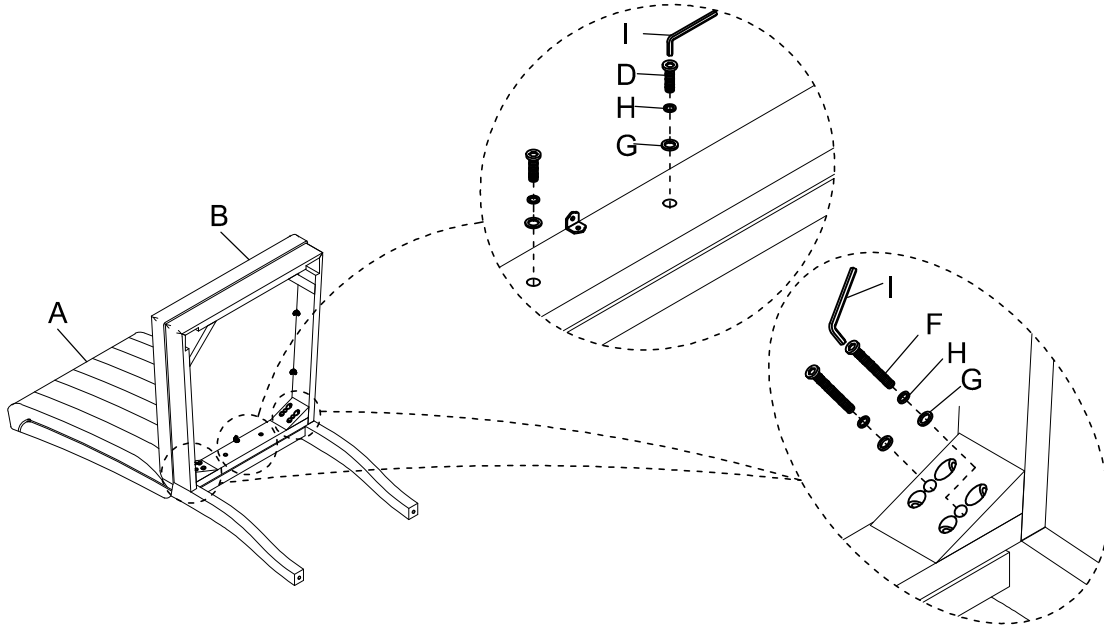
CHANNEL BACK DINING CHAIR

<p>A Chair Back</p>  <p>1 PC</p>	<p>B Seat</p>  <p>1 PC</p>	<p>C Front Leg</p>  <p>2 PCS</p>	<p>D Allen Bolt Ø5/16" x 38mm</p>  <p>2 PCS</p>
<p>E Allen Bolt Ø5/16" x 50mm</p>  <p>4 PCS</p>	<p>F Allen Bolt Ø5/16" x 75mm</p>  <p>4 PCS</p>	<p>G Flat Washer Ø5/16" x Ø19mm</p>  <p>10 PCS</p>	<p>H Lock Washer Ø5/16"</p>  <p>10 PCS</p>
<p>I Allen Key M5</p>  <p>1 PC</p>			

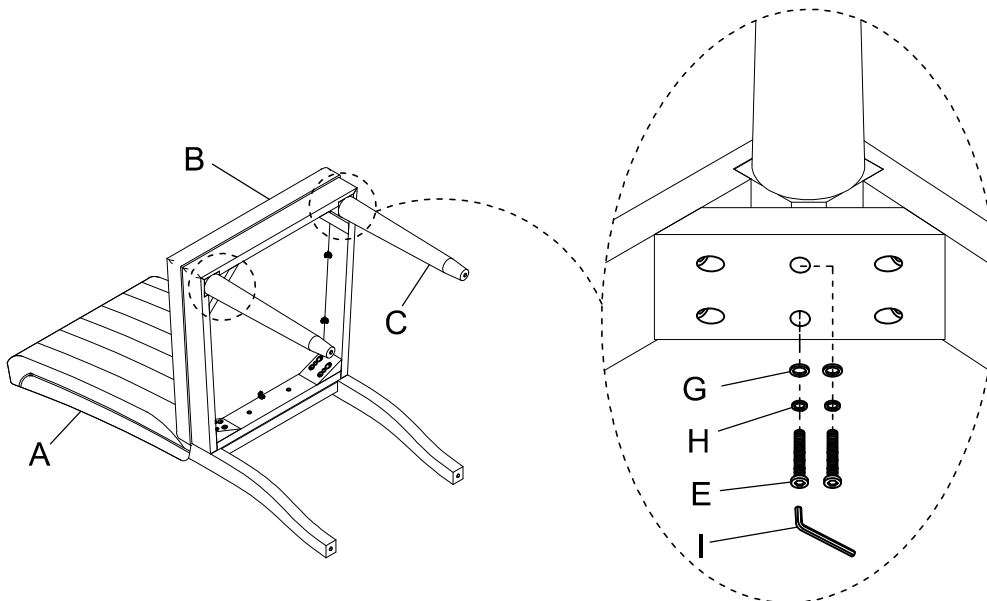


This page lists all the contents included in the box. Please take the time to identify the hardware as well as the individual components to this product. As you unpack and prepare for assembly, place the contents on a carpeted or padded area to protect them from damage.

-
- 1** Attach Seat (B) to Chair Back (A) by using Flat Washer (G), Lock Washer (H) and Allen Bolt (D) with Allen Key (I), then insert Flat Washer (G), Lock Washer (H) and Allen Bolt (F) with Allen Key (I).



-
- 2** Attach Front Leg (C) to Seat (B) by using Flat Washer (G), Lock Washer (H) and Allen Bolt (E) with Allen Key (I).



Cleaning & Care

Treat surface with care. Surface is resistant to scratches but is not scratch resistant. Clean surfaces with a dry or damp soft cloth. Do not use abrasive cleaners. Hardware may loosen over time. Periodically check that all connections are tight.