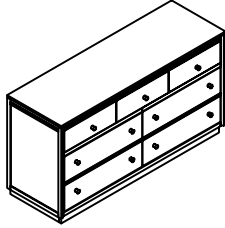


ASSEMBLY INSTRUCTION

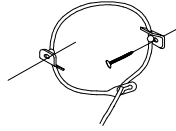
7-DRAWER DRESSER WITH 2 SET STORAGE MODULAR PANEL

A Dresser

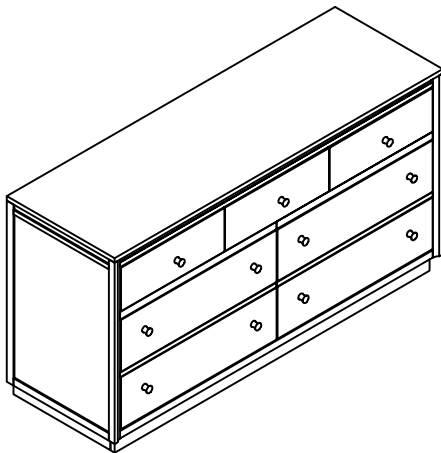


1pc

B Tipping Restraint Kit



1 set



This page lists all the contents included in the box. Please take the time to identify the hardware as well as the individual components to this product. As you unpack and prepare for assembly, place the contents on the carpeted or padded area to protect them from damage.

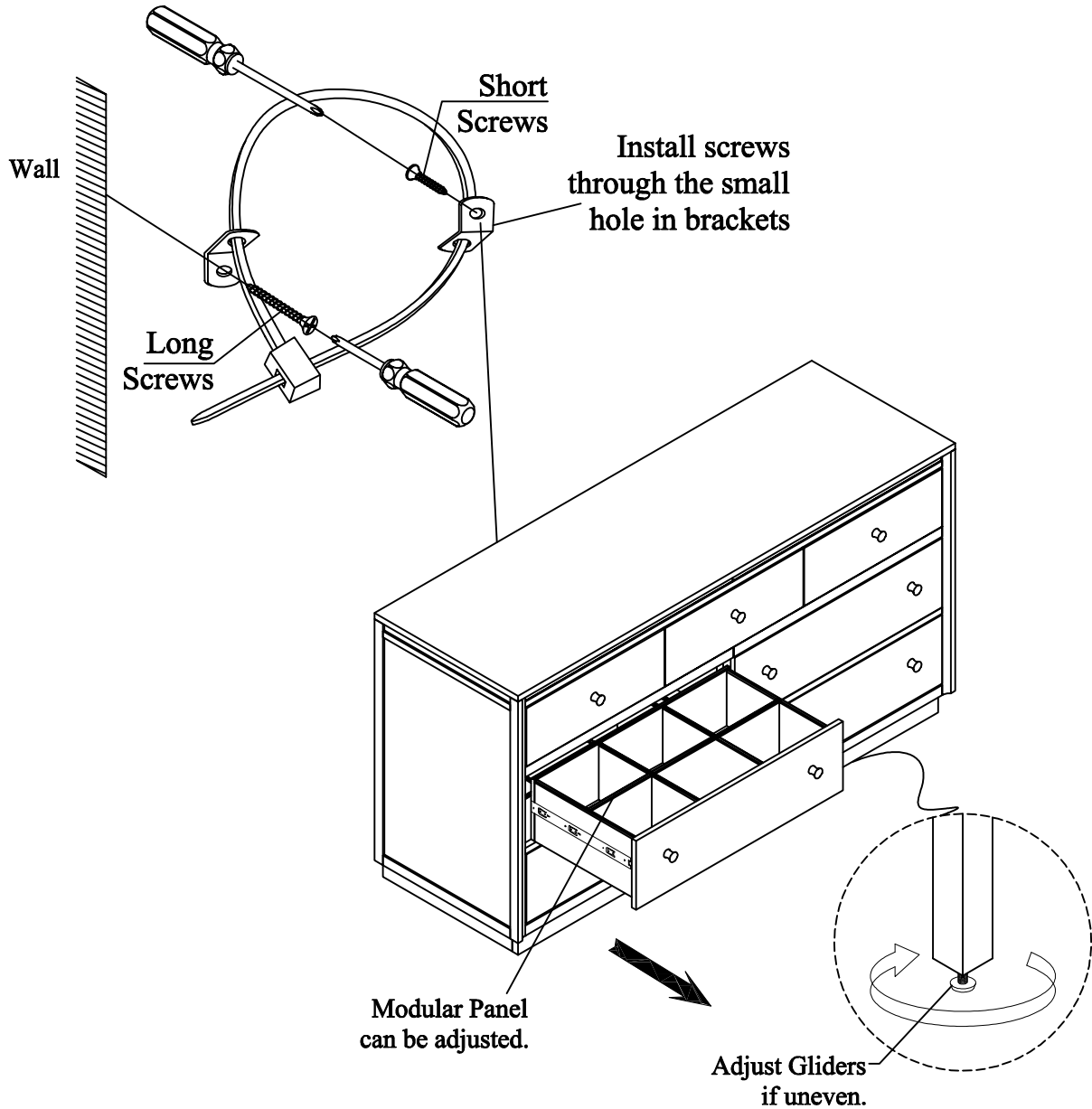
IMPORTANT NOTE

1. Do not tighten all screws / bolts until all completely assembled.
2. Keep all hardware parts out of reach of children.

1 Staple the Tipping Restraint Kit (B) at the back of the Dresser (A).

Attach Tipping Restraint Kit (B) to wall.

1. Drill holes at wall and Dresser and insert Brackets into holes.
2. Move assembled unit to wall and screw in Steel Cable using Short Screw.
3. Screw in Steel Cable at wall using Long Screw.



CLEANING & CARE

Treat surface with care. Surface is resistant to scratches but is not scratch resistant. Clean surfaces with a dry or damp soft cloth. Do not use abrasive cleaners. Hardware may loosen over time. Periodically check that all connections are tight.