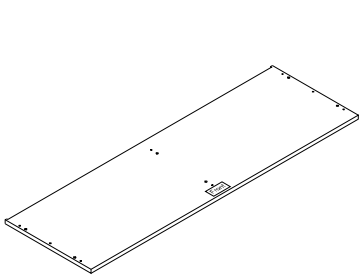
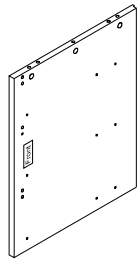


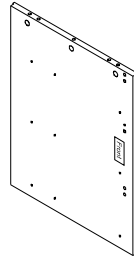
PARTS LIST



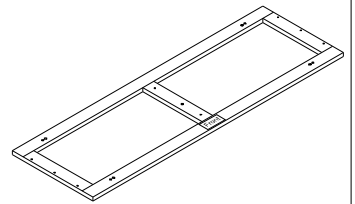
NAME: TOP PANEL
CODE: 1
QTY: 1Pc



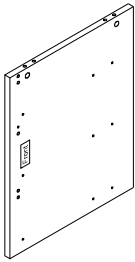
NAME: SIDE PANEL(LEFT)
CODE: 2
QTY: 1Pc



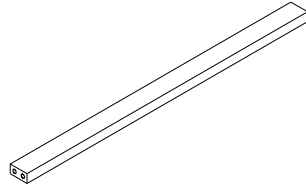
NAME: SIDE PANEL(RIGHT)
CODE: 3
QTY: 1Pc



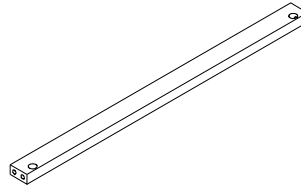
NAME: BOTTOM FRAME
CODE: 4
QTY: 1Pc



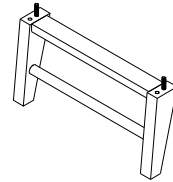
NAME: PARTITION
CODE: 5
QTY: 1Pc



NAME: TOP&BOTTOM BAR
CODE: 6
QTY: 4Pcs



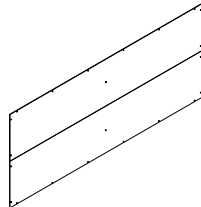
NAME: CENTER BAR
CODE: 7
QTY: 2Pcs



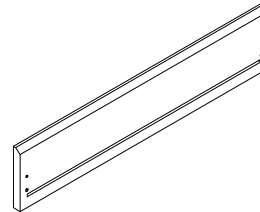
NAME: LEG
CODE: 8
QTY: 2Pcs



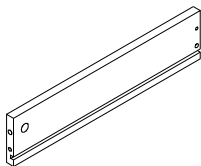
NAME: SUPPORT STAND
CODE: 9
QTY: 1Pc



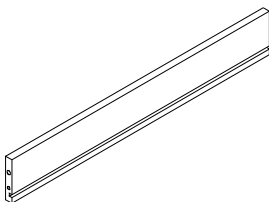
NAME: BACK PLYWOOD
CODE: 10
QTY: 1Pc



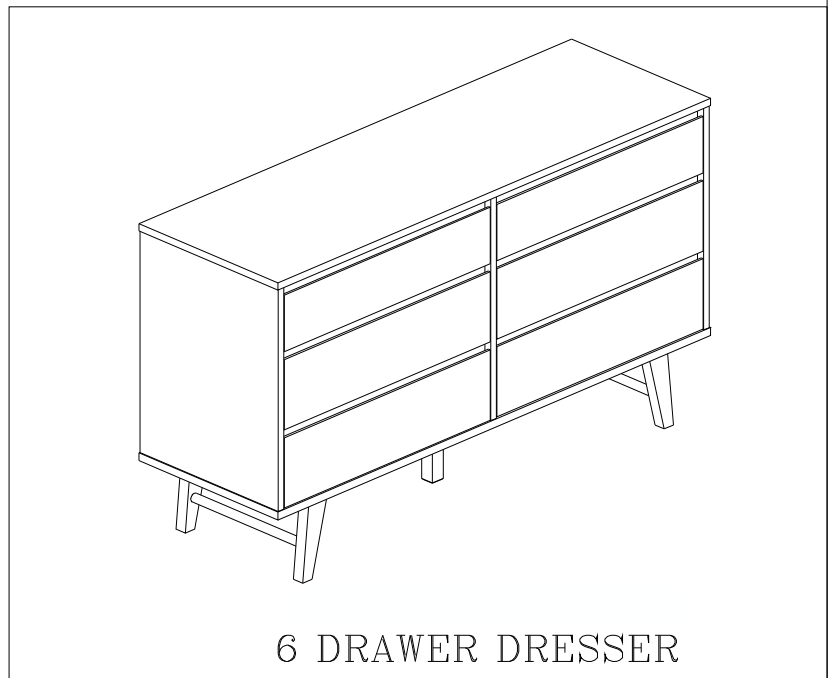
NAME: DRAWER FRONT(TOP)
CODE: 101
QTY: 2Pcs



NAME: SMALL DRAWER SIDE(LEFT)
CODE: 102
QTY: 2Pcs

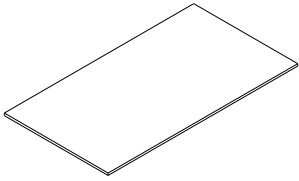


NAME: SMALL DRAWER BACK
CODE: 103
QTY: 2Pcs

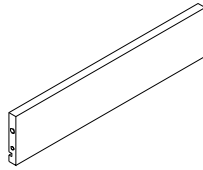


6 DRAWER DRESSER

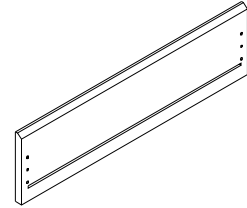
-THE UNIT SHOULD BE ASSEMBLED BY 2 OR MORE PEOPLE
-EXTRA HARDWARE INCLUDED



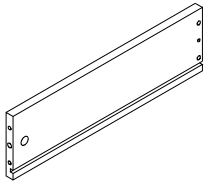
NAME: DRAWER BASE
CODE: 104
QTY: 6Pcs



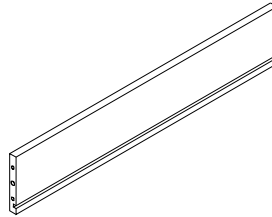
NAME: SMALL DRAWER SIDE(RIGHT)
CODE: 105
QTY: 2Pcs



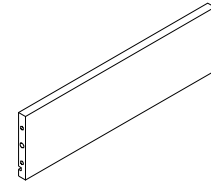
NAME: DRAWER FRONT(CENTER&BOTTOM)
CODE: 106
QTY: 4Pcs



NAME: BIG DRAWER SIDE(LEFT)
CODE: 107
QTY: 4Pcs



NAME: BIG DRAWER BACK
CODE: 108
QTY: 4Pcs



NAME: BIG DRAWER SIDE(RIGHT)
CODE: 109
QTY: 4Pcs

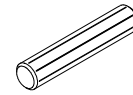
HARDWARE LIST



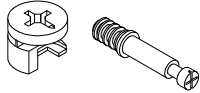
NAME: CHIPBOARD SCREW M3X16mm
 CODE: A
 QTY: 72Pcs



NAME: CHIPBOARD SCREW M4X38mm
 CODE: B
 QTY: 8Pcs



NAME: WOOD DOWEL M8X35mm
 CODE: C
 QTY: 36Pcs



NAME: CAM LOCK & CAM BOLT
 CODE: D
 QTY: 36Sets



NAME: WOOD DOWEL M6X30mm
 CODE: E
 QTY: 40Pcs



NAME: RUNNER 400mm
 CODE: F
 QTY: 6Sets



NAME: CAM LOCK COVER
 CODE: G
 QTY: 36Pcs



NAME: PANHEAD CHIPBOARD SCREW M4X16mm(BLACK)
 CODE: H
 QTY: 22Pcs



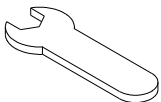
NAME: FLAT WASHER M8
 CODE: I
 QTY: 4Pcs



NAME: SPRING WASHER M8
 CODE: J
 QTY: 4Pcs



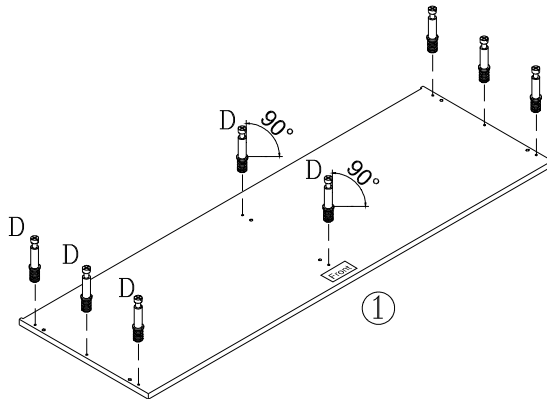
NAME: HEX NUT M8
 CODE: K
 QTY: 4Pcs



NAME: SPANNER
 CODE: L
 QTY: 1Pc

STEP 1

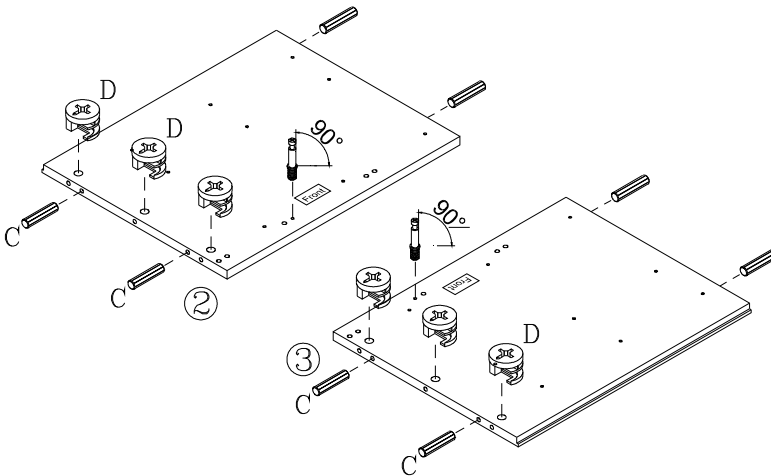
- A) Insert Cam Bolt(D) to Top Panel(1)



STEP 2

- A) Insert Wood Dowel(C) to Left&Right Side Panel(2&3)
- B) Attach Cam Lock(D) to Left&Right Side Panel(2&3)
- C) Attach Cam Bolt(D) to Left&Right Side Panel(2&3)

NOTE : Make sure arrows on each Cam Lock points towards nearest edge with holes



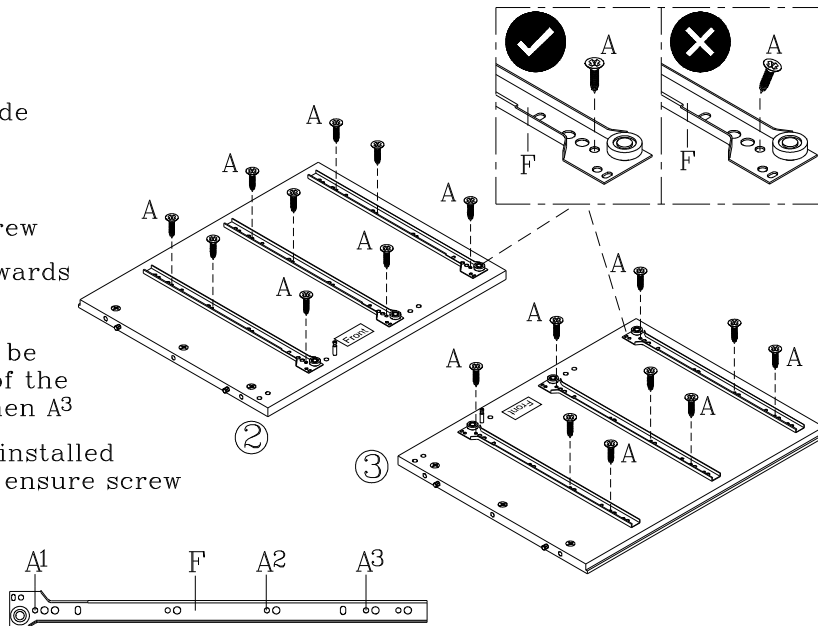
STEP 3

- A) Attach Runner(F) to Left&Right Side Panel(2&3) using Chipboard Screw(A) to secure

NOTE : Do not over tighten the screw
 NOTE : Runner roller should be towards the front of the panel

NOTE : Chipboard Screw(A) should be assembled from the front of the runner. Start from A¹, A² then A³

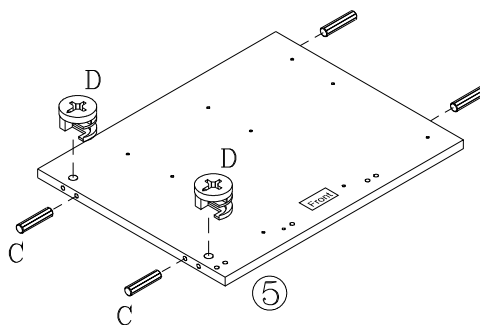
NOTE : Make sure the screws are installed vertically without slant to ensure screw sits properly in the hole



STEP 4

- A) Insert Wood Dowel(C) to Partition(5)
- B) Attach Cam Lock(D) to Partition(5)

NOTE : Make sure arrows on each Cam Lock points towards nearest edge with holes



STEP 5

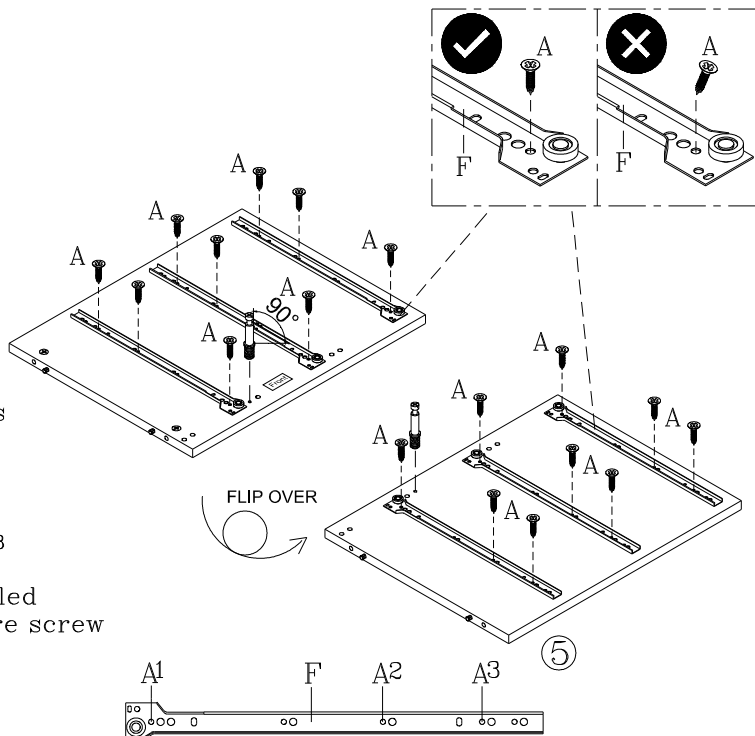
- A) Attach Runner(F) to both side of Partition(5) using Chipboard Screw(A) to secure
- B) Attach Cam Bolt(D) to both side of Partition(5)

NOTE : Do not over tighten the screw

NOTE : Runner roller should be towards the front of the panel

NOTE : Chipboard Screw(A) should be assembled from the front of the runner. Start from A1, A2 then A3

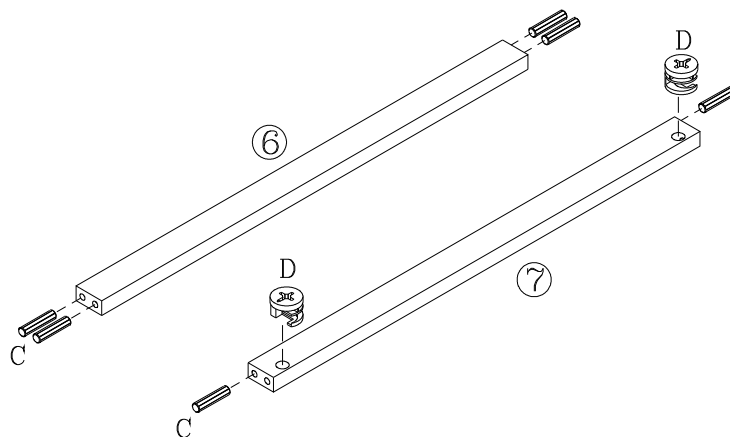
NOTE : Make sure the screws are installed vertically without slant to ensure screw sits properly in the hole



STEP 6

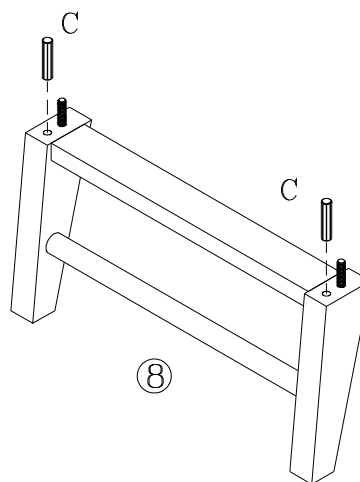
- A) Attach Wood Dowel(C) to 4 Top&Bottom Bar(6) & both Center Bar(7)
- B) Attach Cam Lock(D) to Center Bar(7)

NOTE : Make sure arrows on each Cam Lock points towards nearest edge with holes



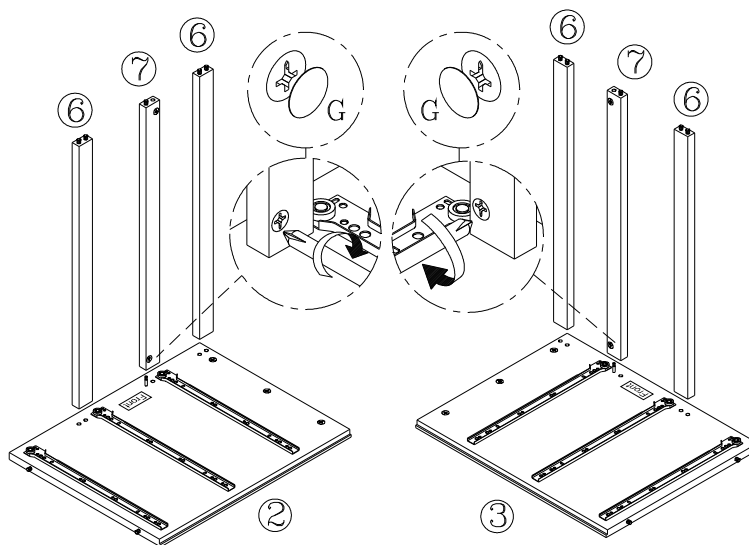
STEP 7

- A) Attach Wood Dowel(C) to both Leg(8)



STEP 8

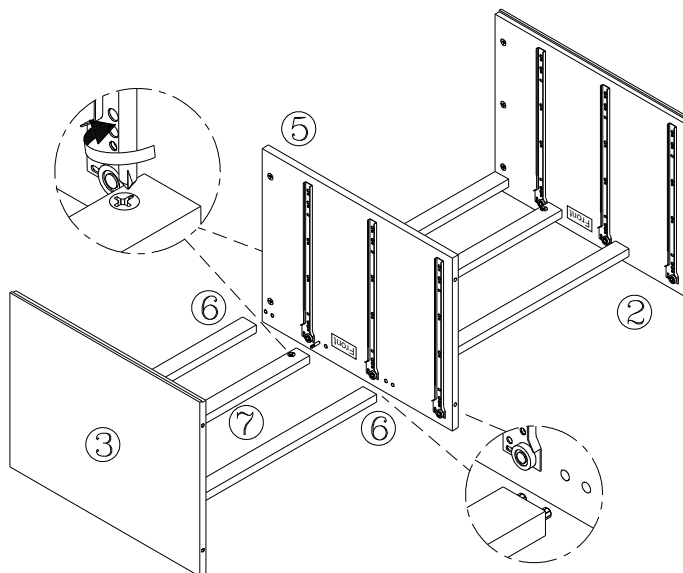
- A) Attach Top&Bottom Bar(6) & Center Bar(7) to Side Panel Left&Right(2&3) and secure with Cam Lock(D)
- B) Cover Cam Lock with Cam Lock Cover(G)



STEP 9

- A) Attach Top&Bottom Bar(6) & Center Bar(7) to Partition(5) secure with Cam Lock(D)
- B) Cover Cam Lock with Cam Lock Cover(G)

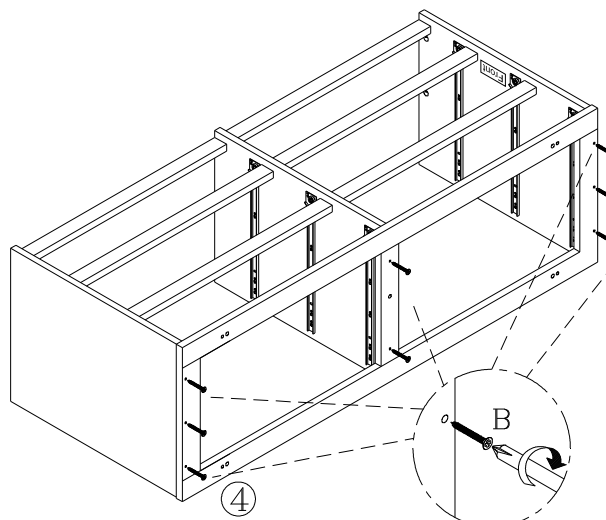
NOTE : Do not over tighten the Cam Lock



STEP 10

- A) Turn over the semi-assembled unit, attach Bottom Frame(4) to underneath of Side Panel Left&Right(2&3) and secure with Chipboard Screw(B)

NOTE: Do not over tighten the Screw

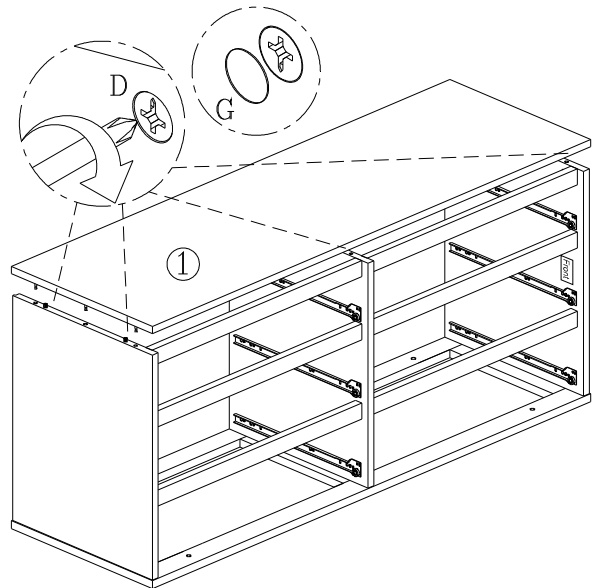


STEP 11

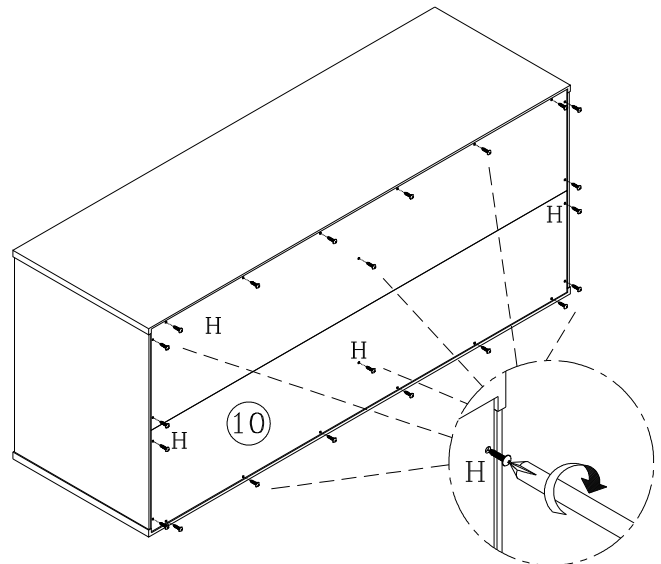
A) Attach Top Panel(1) to Side Panel Left&Right(2&3) secure with Cam Lock(D).

B) Cover Cam Lock with Cam Lock Cover(G)

NOTE : Do not over tighten the Cam Lock

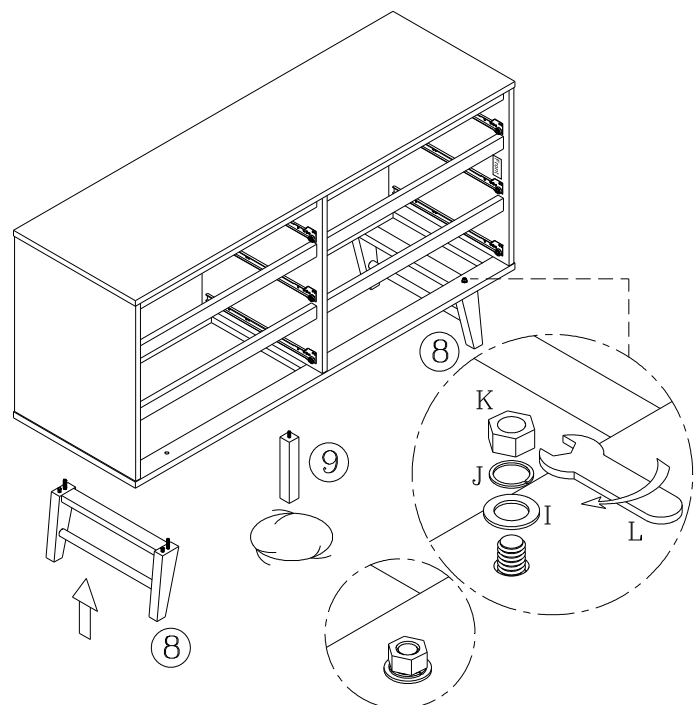
STEP 12

A) Attach Back Plywood(10) to assembled unit using Panhead Chipboard Screw(Black)(H) to secure

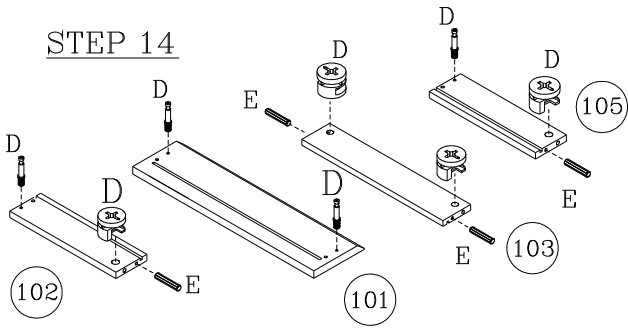
STEP 13

A) Attach both Leg(8) to Bottom Frame(4) using Flat Washer(I), Spring Washer(J)& Hex Nut(K) with Spanner(L)

B) Attach and secure Support Stand(9) to Bottom Frame(4)

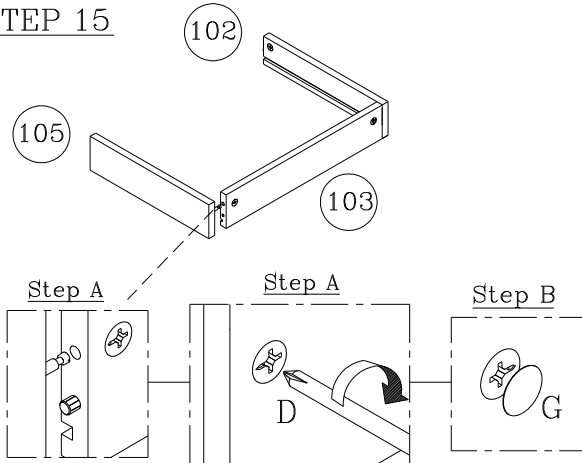


STEP 14



- A) Insert Wood Dowel(E) to Left&Right Drawer Side(102&105) & Drawer Back(103)
- B) Attach Cam Lock(D) to Left&Right Drawer Side(102&105) & Drawer Back(103)
- C) Attach Cam Bolt(D) to Drawer Front(101) & Left&Right Drawer Side(102&105)

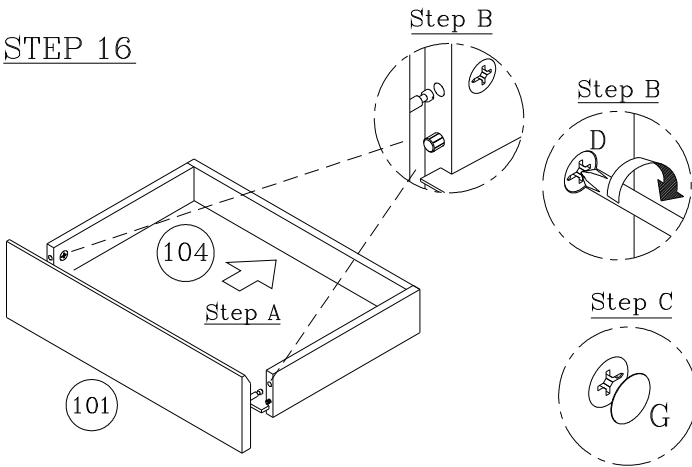
STEP 15



- A) Attach Left&Right Drawer Side(102&105) to Drawer Back(103) secure with Cam Lock(D)
- B) Using Cam Lock Cover(G) to cover Cam Lock(D)

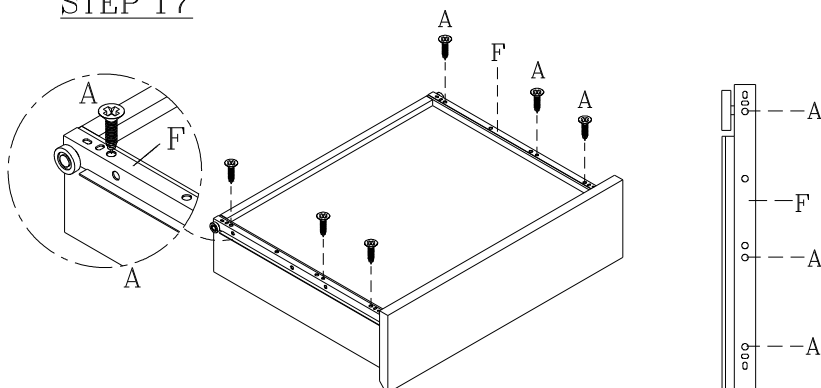
NOTE : Make sure arrows on each Cam Lock points towards nearest edge with holes

STEP 16



- A) Slot in Drawer Base(104) in corresponding grooves
- B) Attach Drawer Front(101) to Drawer Box secure with Cam Lock(D)
- C) Using Cam Lock Cover(G) to Cover Cam Lock(D)

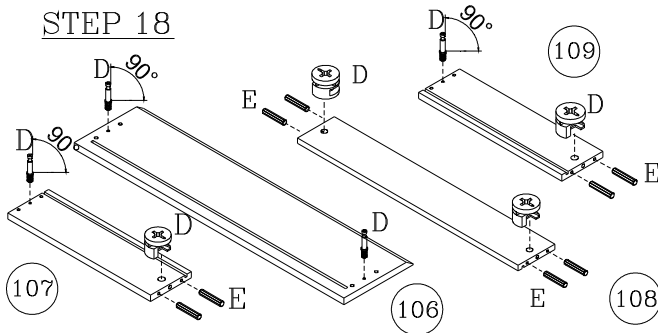
STEP 17



- A) Turn over the Drawer box, Attach Runner(F) to Drawer Side(102&105) using Chipboard Screw(A) to secure

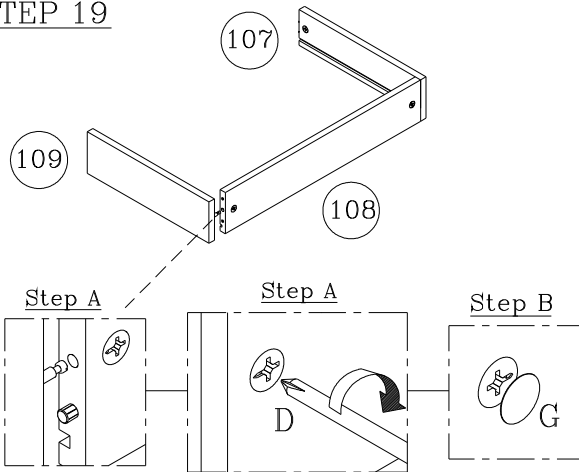
NOTE: Runner roller should be flush and toward the back of the Drawer Box

STEP 18



- A) Insert Wood Dowel(E) to Left&Right Drawer Side(107&109) & Drawer Back(108)
- B) Attach Cam Lock(D) to Left&Right Drawer Side(107&109) & Drawer Back(108)
- C) Attach Cam Bolt(D) to Center&Bottom Drawer Front(106) & Left&Right Drawer Side(107&109)

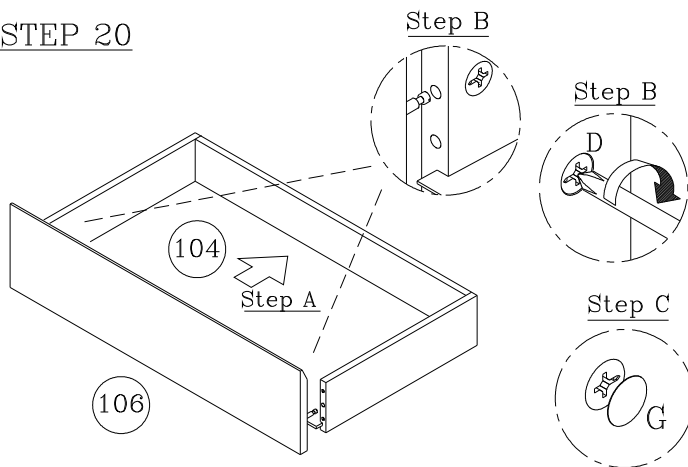
STEP 19



- A) Attach Left&Right Drawer Side(107&109) to Drawer Back(108) secure with Cam Lock(D)
- B) Using Cam Lock Cover(G) to cover Cam Lock(D)

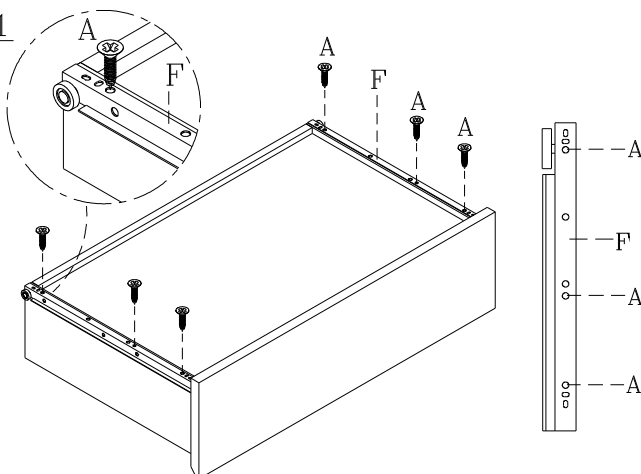
NOTE : Make sure arrows on each Cam Lock points towards nearest edge with holes

STEP 20



- A) Slot in Drawer Base(104) in corresponding grooves
- B) Attach Center&Bottom Drawer Front(106) to Drawer Box secure with Cam Lock(D)
- C) Using Cam Lock Cover(G) to Cover Cam Lock(D)

STEP 21



- A) Turn over the Drawer box, Attach Runner(F) to Drawer Side(107&109) using Chipboard Screw(A) to secure

NOTE: Runner roller should be flush and toward the back of the Drawer Box