

8 7 6 5 4 3 2 1

F

E

D

C

B

A

F

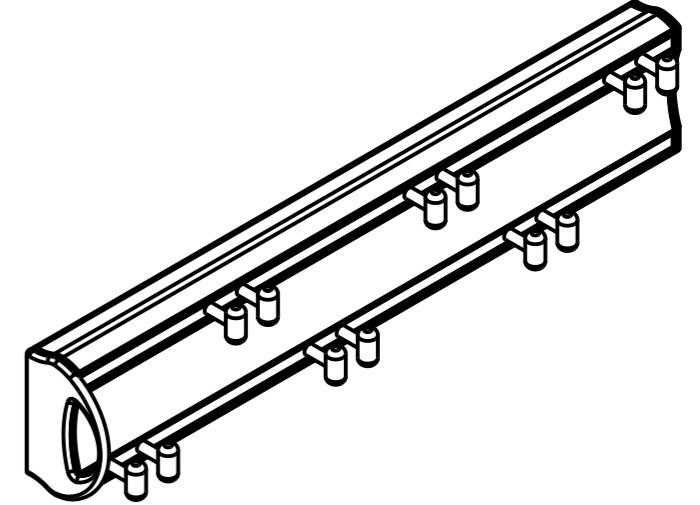
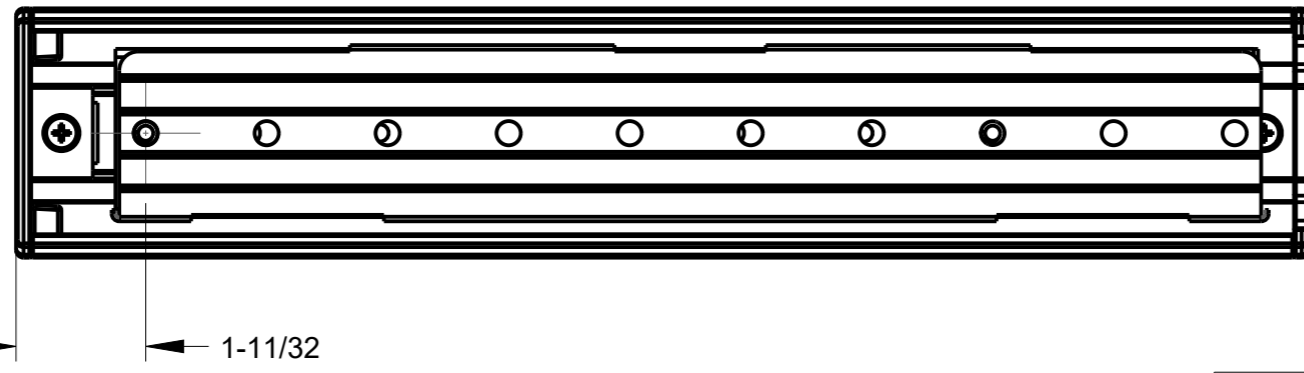
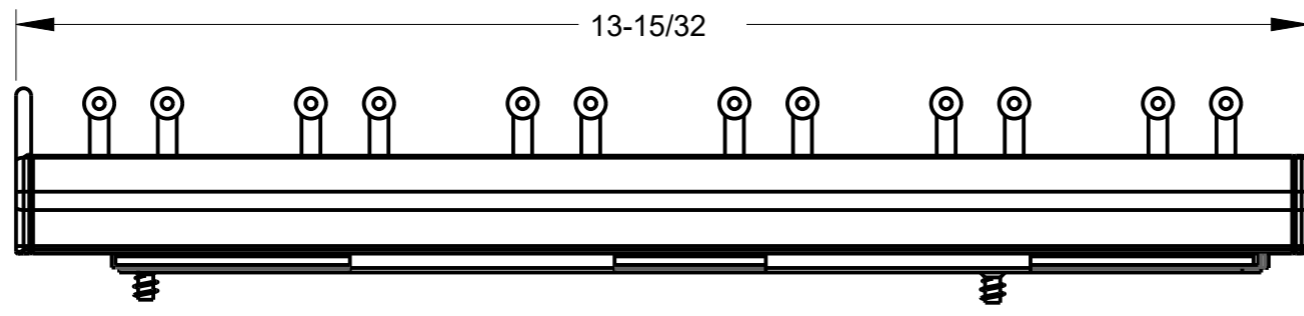
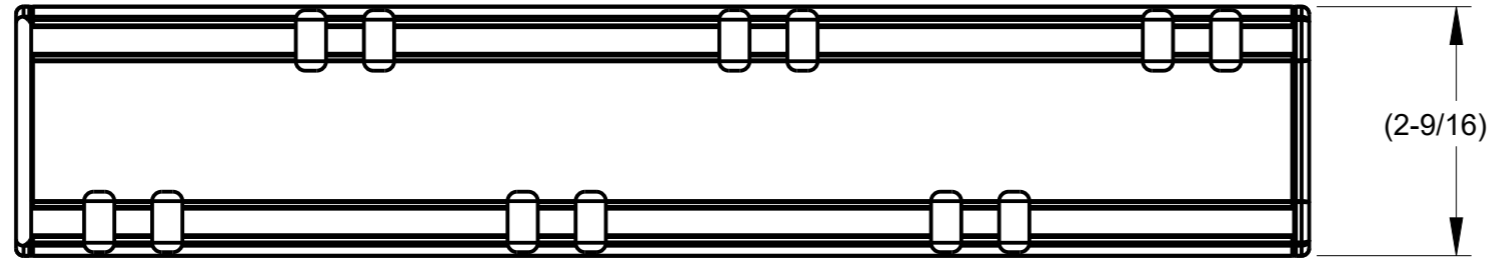
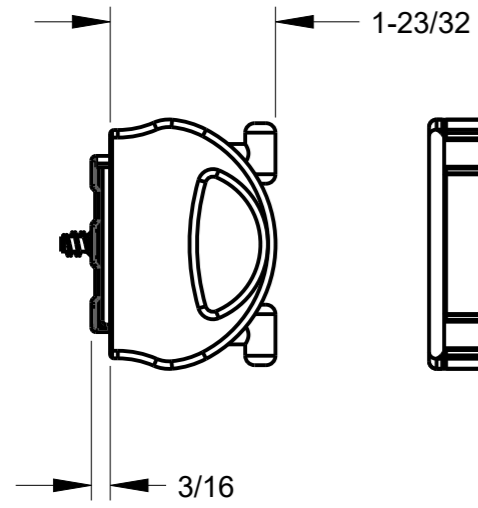
E

D

C

B

A



FINISH GOODS TABLE		
HR ITEM #	DESCRIPTION	FINISH
355B-PC	ASSY, SLIDING BELT RACK, PC	POLISHED CHROME
355B-SN	ASSY, SLIDING BELT RACK, SN	SATIN NICKEL
355B-ORB	ASSY, SLIDING BELT RACK, DORB	DARK OIL RUBBED BRONZE
355B-MB	ASSY, SLIDING BELT RACK, MB	MATTE BLACK



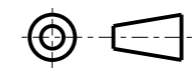
HARDWARE RESOURCES RESERVES THE RIGHT TO CHANGE SPECIFICATIONS WITHOUT NOTICE. IN CASE OF A DISCREPANCY, ACTUAL PART GEOMETRY SUPERSEDES THIS DOCUMENT.

THE INFORMATION CONTAINED WITHIN THIS DRAWING IS THE SOLE PROPERTY OF HARDWARE RESOURCES INC. ANY REPRODUCTION IN PART OR WHOLE WITHOUT WRITTEN PERMISSION OF HARDWARE RESOURCES INC. IS PROHIBITED.

DOCUMENT STATUS **Released**  
UNLESS OTHERWISE SPECIFIED DIMENSIONS ARE IN INCHES (IN)

MATERIAL N/A FINISH SEE TABLE

THIRD ANGLE PROJECTION DATE 21JUL2016



DESCRIPTION  
SLIDING CLOSET BELT RACK

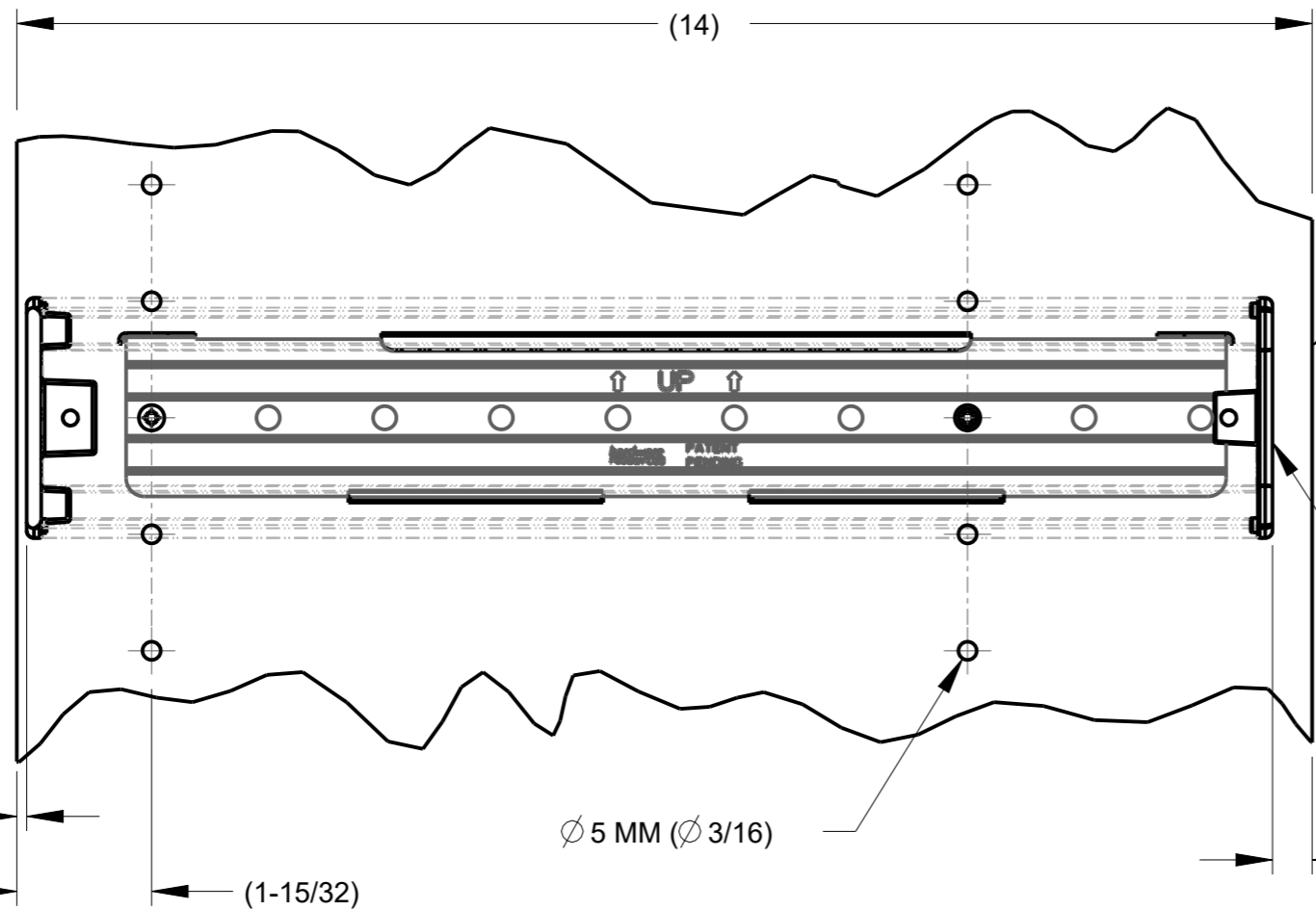
DRAWING NUMBER 355B		REV <b>B</b>
SIZE A3	SCALE 1:2	SHEET 1 / 2

8 7 6 5 4 3 2 1

8 7 6 5 4 3 2 1

F  
E  
D  
C  
B  
A

CLOSET FRONT



TYPICAL INSTALLATION IN 14 INCH CLOSET PANEL WITH PREDRILLED 32mm SYSTEM HOLES

SOME ITEMS HIDDEN FOR CLARITY

SLIDE IN INSTALLED POSTION

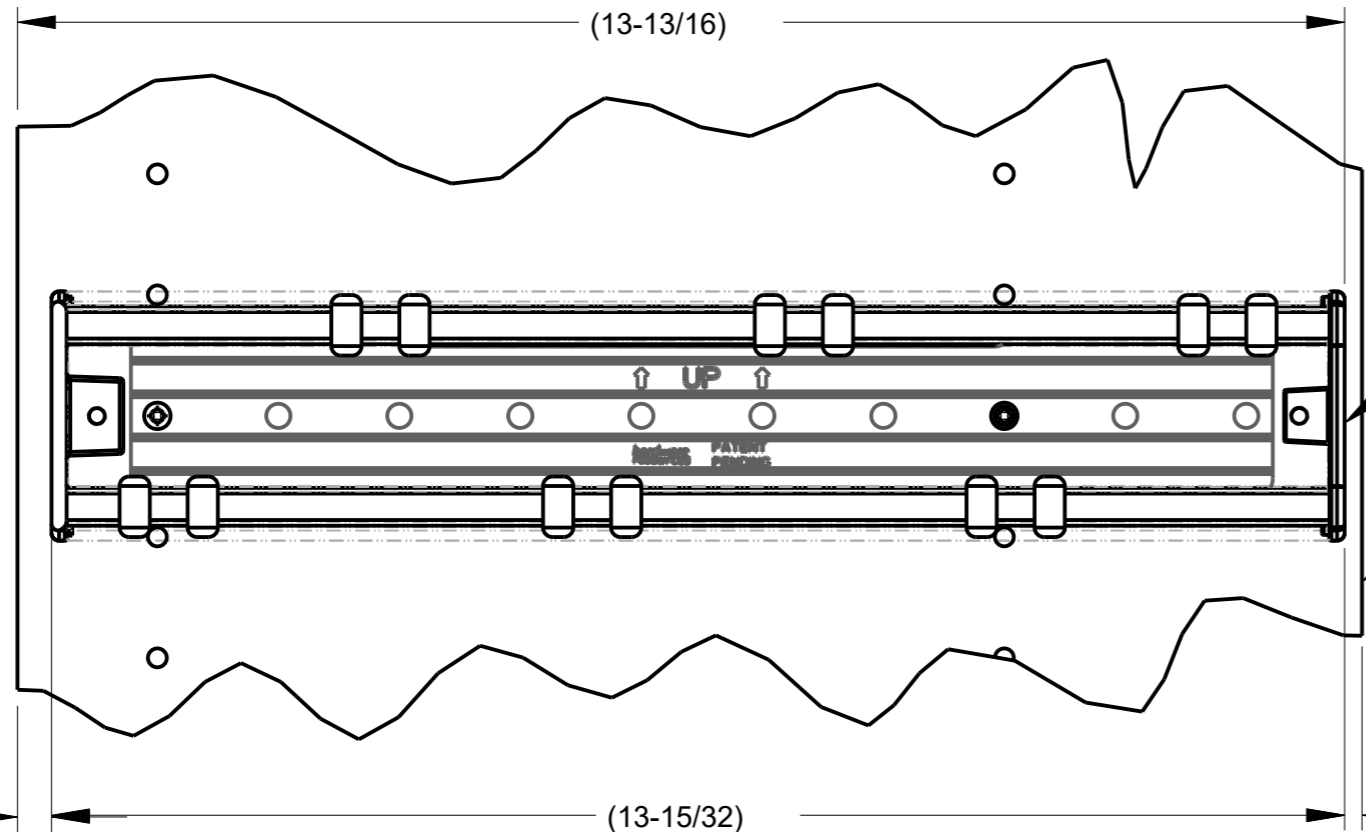
(3/32)

(1-15/32)

Ø 5 MM (Ø 3/16)

(7/16)

CLOSET FRONT



SLIDE IN PUSHED BACK POSTION

BELT RACK MUST NOT EXTEND PAST THIS EDGE IN THE PUSHED BACK POSITION

(11/32)

(13-15/32)

(3/16)

8 7 6 5 4 3 2 1

DRAWING NUMBER 355B		REV <b>B</b>
SIZE A3	SCALE 1:2	SHEET 2 / 2
DOCUMENT STATUS		Released

F  
E  
D  
C  
B  
A