

8 7 6 5 4 3 2 1

F

E

D

C

B

A

F

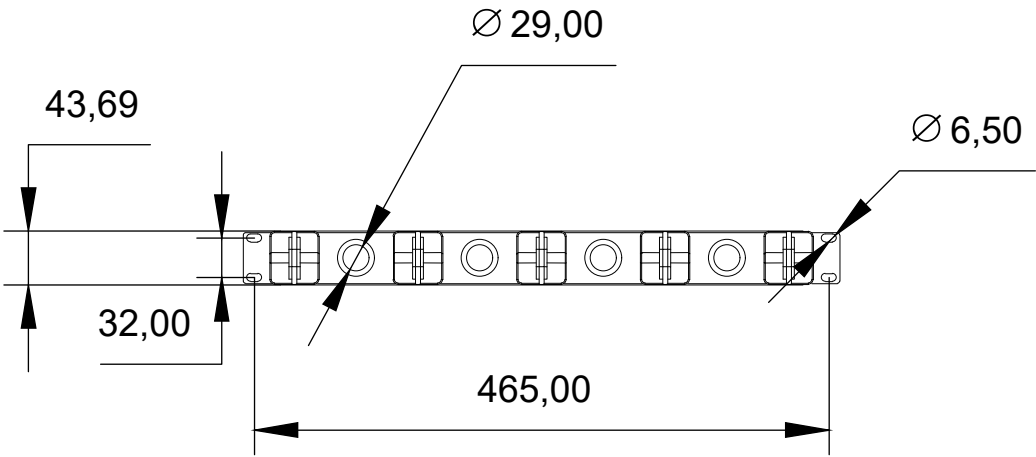
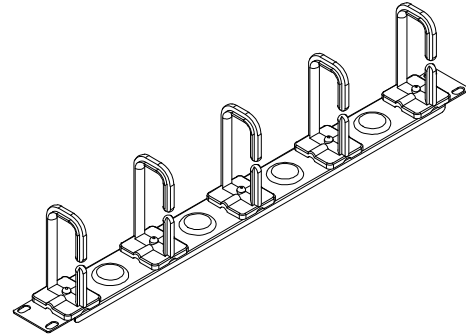
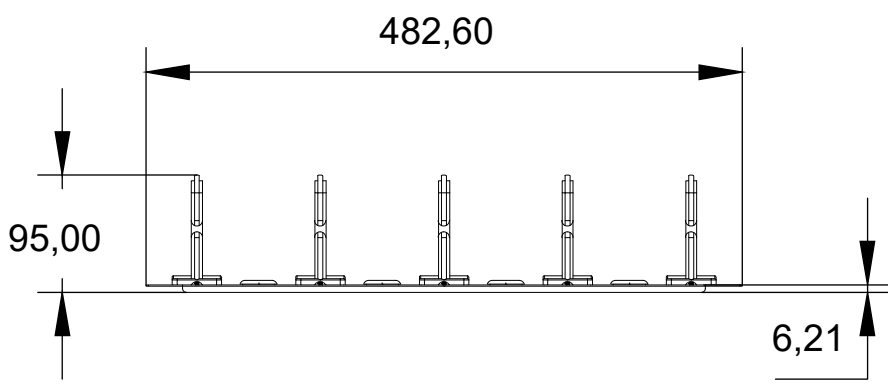
E

D

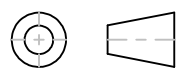
C

B

A



THIRD ANGLE PROJECTION



GENERAL NOTES

DIMENSIONS ARE IN MM - DO NOT SCALE

THIS DOCUMENT CONTAINS CONFIDENTIAL, PROPRIETARY INFORMATION THAT IS PROPERTY OF STARTECH.COM

StarTech.com

PRODUCT ID	CABLMANAGERH		
DESCRIPTION	1U 19" Cable Management Organizer - D Ring Hook		
DO NOT SCALE	SHEET: 1 OF: 1	UPLOAD DATE: 11/23/2023	

8 7 6 5 4 3 2 1